



Power Management

Battery Management

- BM-Series Main Battery Switches (Imperial Threading)
- BP-Series Compact Battery Switches (Metric Threading)
- BP-Series Motorized Battery Main Switch
- Digital Voltage Sensitive Relay (DVSR) / Automatic Charging Relay
- Digital Voltage Sensitive Relay (VSR) with Start Isolation

Circuit Protections

- Modular Design Blade (ATO/ATC/ATP) Fuse Blocks
- Multi-use Compact Modular Design Blade Fuse Blocks
- Compact Design Independent Source Blade Fuse Blocks
- CLB / CMB Circuit Breaker Boxes
- Modern Design Glass-tube AGC Fuse Blocks Series
- Heavy-Duty Modular Design Fuse Block & Bus Bars
- Classic Fuse Block & Bus Bars
- Fuses (Glass-tube Fuses / Automotive Blade Fuses & Other Fuses)
- Circuit Breakers
- Fuse Holders

Connectors & Buses

- Heavy-Duty Bus Bars (Imperial Threading)
- Marine Grade Bus Bars (Metric Threading)
- Heavy-Duty Terminal Studs
- Terminal Blocks



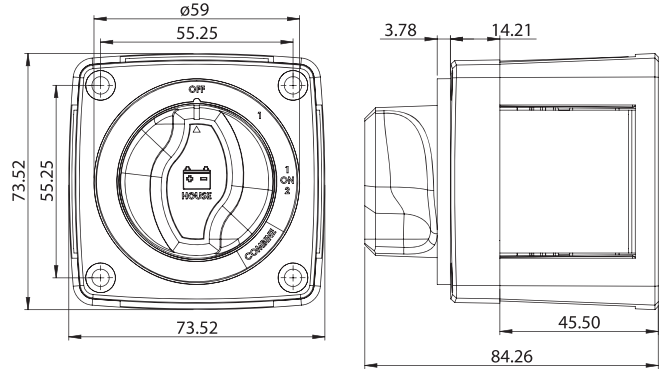
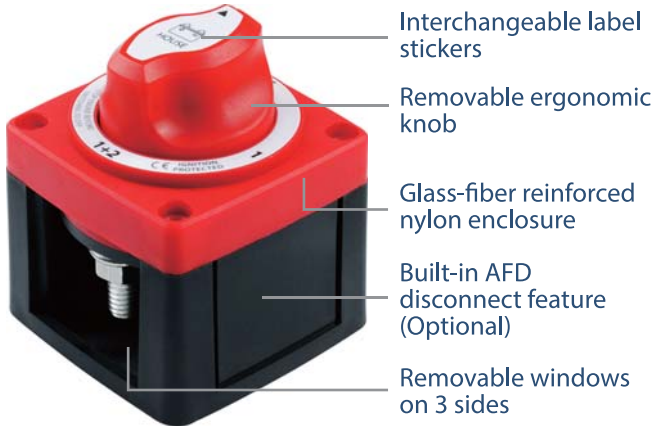
Battery Management

BM-Series Main Battery Switches (Imperial Threading)



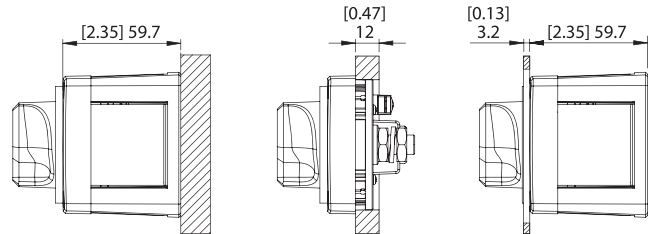
BF446/BF446A **Battery Main Switch (A: with AFD) (ON-OFF)**

BF447/BF447A **Battery Selector Switch (A: with AFD) (1-2-Both-OFF)**



Features

- Unique ergonomic and aesthetic knob design
- Knobs removable for isolation / safety
- AFD (Alternator Field Disconnect) feature provides extra safety protection
- Dimensions fits popular BlueSea's M-series battery switches
- Robust Glass Fiber reinforced Nylon enclosure
- Removable windows for unobstructed wiring
- 3 mounting options: Surface mount, front panel mount and rear panel mount
- Meet Ignition Protection Standard (ISO8846 / SAE J1171), suitable for use in marine engine room and fuel tank spaces



Product Series



BF446 / BF446A

BF447 / BF447A

Product ID	Function	Voltage Rating (Max)	Stud Size	Cranking Rating(30s)	Intermittent Rating (5 mins)	Continuous Rating (1hr)	Note
BF446	ON-OFF	48V	3/8"-16	900A	500A	300A	-
BF446A	ON-OFF	48V	3/8"-16	900A	500A	300A	with AFD
BF447	1-2-Both-OFF	32V	3/8"-16	900A	500A	300A	-
BF447A	1-2-Both-OFF	32V	3/8"-16	900A	500A	300A	with AFD



BP-Series Compact Battery Switches (Metric Threading)

Best Seller

IGNITION PROTECTED

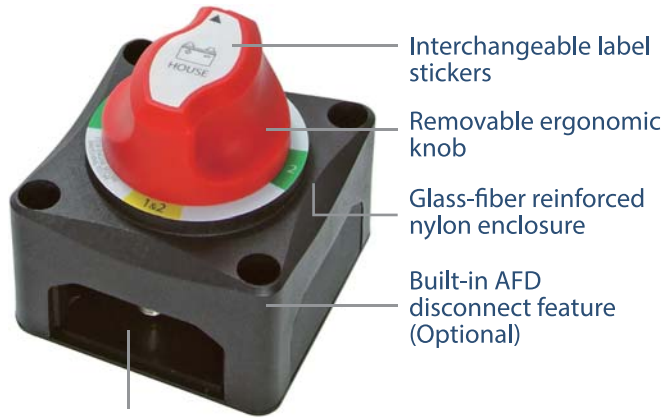
PATENTED TW,CH

Battery Main Switch (On-Off)

BF441 / BF441A (with AFD)

Battery Selector Switch (1-2-Both-Off)

BF442 / BF442A (with AFD)



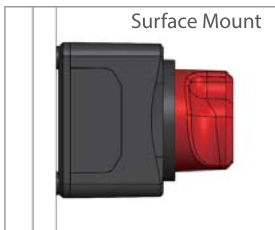
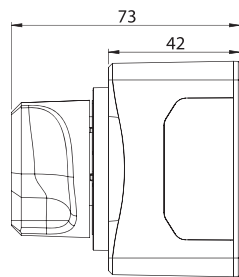
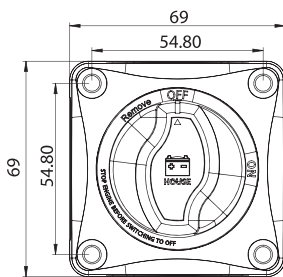
Interchangeable label stickers

Removable ergonomic knob

Glass-fiber reinforced nylon enclosure

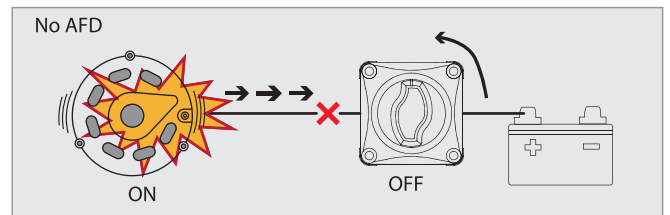
Built-in AFD disconnect feature (Optional)

Removable windows on 4 sides

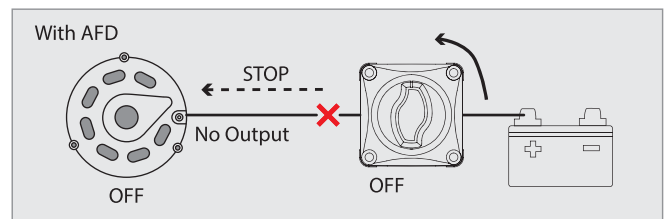


Features

- Unique ergonomic and aesthetic knob design
- Knobs removable for isolation / safety
- Smallest battery switch with AFD (Alternator Field Disconnect) feature in market (BF441A, BF442A)
- Dimensions fits Heavy Duty Modular Fuse Box Series (BF43x)
- Robust Glass Fiber reinforced Nylon enclosure
- Removable windows for unobstructed wiring
- Compact size matching mainstream products in market (BEP style)
- Surface or panel mount options provides flexibility when installing
- Patented in Taiwan(D183413), China(ZL201730358133.0)
- Meet Ignition Protection Standard (ISO8846 / SAE J1171), suitable for use in marine engine room and fuel tank spaces
- IP66 – Protected against powerful water jets from all directions



Continuous output blows out the alternator.



AFD cuts alternator off before battery switch turned off.

Product Series



BF441 / BF441A



BF441



BF441A(with AFD)



BF442 / BF442A



BF442



BF442A(with AFD)

Product ID	Function	Voltage Rating (Max)	Stud Size	Cranking Rating (10Secs)	Intermittent Rating (5 mins)	Continuous Rating (1hr)	Note
BF441	ON-OFF	48V	M10	1250A	455A	275A	-
BF441A	ON-OFF	48V	M10	1250A	455A	275A	with AFD
BF442	1-2-Both-Off	48V	M8	1000A	300A	200A	-
BF442A	1-2-Both-Off	48V	M8	1000A	300A	200A	with AFD

BP-Series Motorized Battery Main Switch

New Product

Motorized Battery Main Switch

BF441-MD

Voltage Sensitive Battery Main Switch

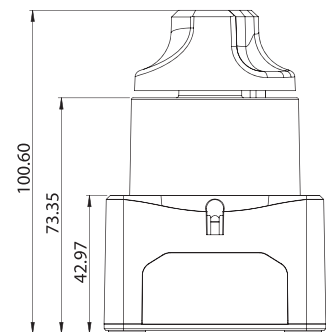
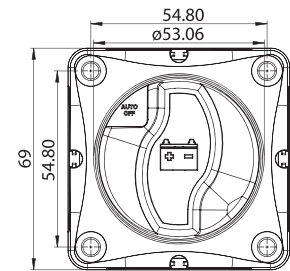
BF441-VS



BF441-MD



BF441-VS



Features

(BF441-MD)

- Motorized version of our popular BF441 Main Switch
- Remotely controlled Battery switch can be mounted next to battery or heavy load, reducing heavy cable lengths and cost
- Works for both 12V or 24V systems (auto-select)
- LED status identification for remote control switch
- Unique ergonomic and aesthetic knob design
- Knobs removable for isolation / safety
- Removable windows for unobstructed wiring
- Surface or panel mount options provides flexibility when installing
- Robust Glass Fiber reinforced Nylon enclosure

Specifications

- Continuous Rating | 275A
- Intermittent Rating (5 mins) | 455A
- Cranking Rating (10 Secs) | 1250A
- Nominal Voltage | DC 12V / 24V Auto Detect
- Max. Voltage Rating | 32V
- Terminal Studs | M10 (3/8")
- Note |

Features

(BF441-VS)

- Automatically senses battery bank voltages and provides efficient charging of the second bank
- Allows for independent battery banks to be combined or isolated based on the presence of a charging source (such as an engine alternator or battery charger)
- Sensing Voltage from either battery bank
- Offers remotely activated, high current, emergency parallel connection
- Robust Glass Fiber reinforced Nylon enclosure
- Surface or panel mount options provides flexibility when installing
- Removable windows for unobstructed wiring

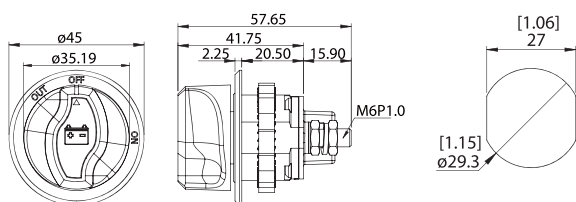
Specifications

- Continuous Rating | 275A
- Intermittent Rating (5 mins) | 455A
- Cranking Rating (10 Secs) | 1250A
- Nominal Voltage | DC 12V / 24V Auto Detect
- Max. Voltage Rating | 32V
- Terminal Studs | M10 (3/8")
- Combine / Open Voltage | DC 13.3V / 12.7V @ 12V
DC 26.6V / 25.4V @ 24V
- Note |

Mini Size 150A Battery Switch BF449

IGNITION
PROTECTED

Watch Intro Video on Youtube



Features

- Unique ergonomic and aesthetic knob design
- Knobs removable for isolation / safety
- Robust Glass Fiber reinforced Nylon enclosure
- Ultra compact size fits 1-1/8" mounting holes
- ISO8846 Ignition Protected

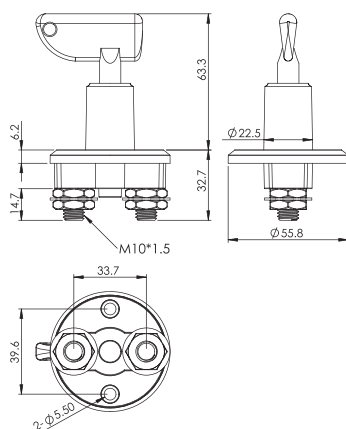
Specifications

- Cranking Rating (30 Secs) | 500A
- Intermittent Rating (5 mins) | 200A
- Continuous Rating | 150A
- Voltage Rating | 32V
- Terminal Studs | M6
- Note |

300A Battery Isolation Switch with removable key BF501 /BF501C (With Cocver)



BF501C



Features

- SPST ON-OFF
- Copper Studs and Contacts
- Keys Removable at OFF position

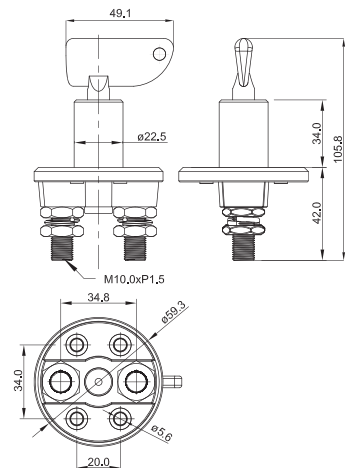
Specifications

- Rating | 12Volts DC
- Continuous Rating | 300Amps
- Intermittent Rating | 800Amps
- Note |

300A Battery Isolation Switch with removable key BF502 /BF502C (With Cocver)



BF502C



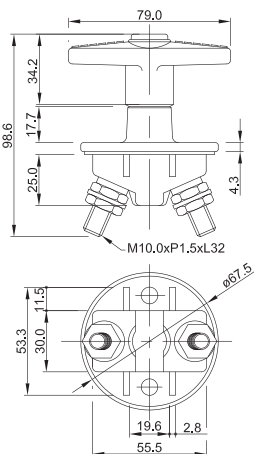
Features

- SPST ON-OFF
- Copper Studs and Contacts
- Keys Removable at OFF position
- 4 mounting screw holes version

Specifications

- Rating | 12Volts DC
- Continuous Rating | 300Amps
- Intermittent Rating | 800Amps
- Note |

Battery Isolation Switch BF503



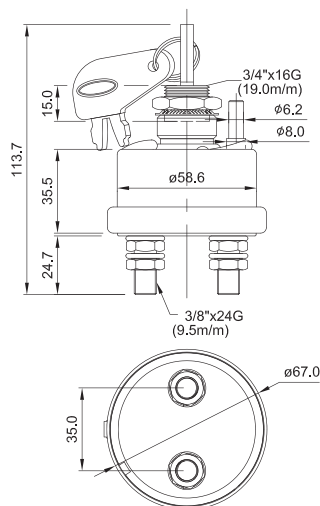
Features

- SPST ON-OFF
- Copper Studs and Contacts
- Heavy Duty T Handle Bar (not Removable)
- Zinc housing with coated white painting

Specifications

- Rating | 12Volts DC
- Continuous Rating | 300Amps
- Intermittent Rating | 800Amps
- Note | CE

Master Disconnect Switch replacing Caterpillar Cat 7N0718 BF504



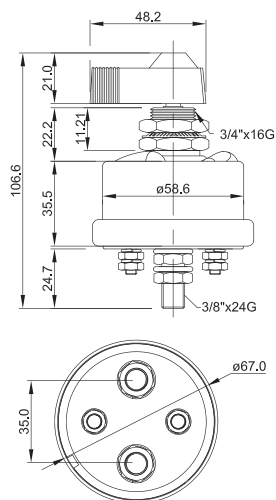
Features

- SPST ON-OFF
- Copper Studs and Contacts
- Indexing pins align switch and prevent housing from rotating
- Key is removable in the OFF position
- Two keys included
- OEM Parts for Caterpillar 7N-0718

Specifications

- Rating | 12Volts DC
- Momentary Rating | 450Amps
- Continual Rating | 250Amps
- Note | CE

Battery Isolation Switch BF505 / BF506 (with AFD)



Features

- 2 Position Off-On
- Imperial stud terminals (3/8" -24G)
- Copper Contacts
- Die-casting molded housing
- AFD features prevents accidental cut-off (BF506)

Specifications

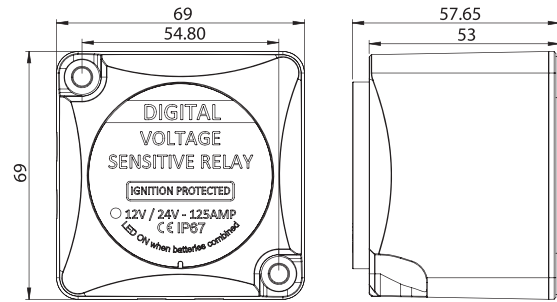
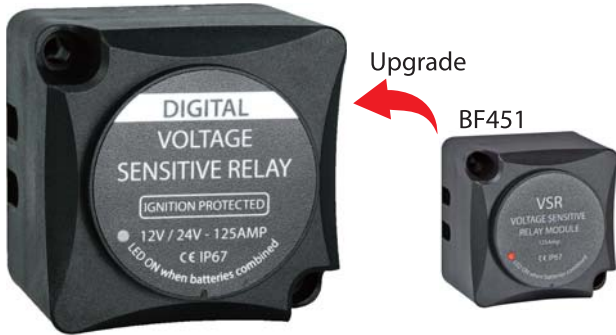
- Rating | 6-12Volts DC
- Continual Rating | 250Amps
- Momentary Rating | 450Amps
- Mounting Stem | 3/4" (19.05mm) Diameter
- Note | CE



Digital Voltage Sensitive Relay (DVSR) / Automatic Charging Relay

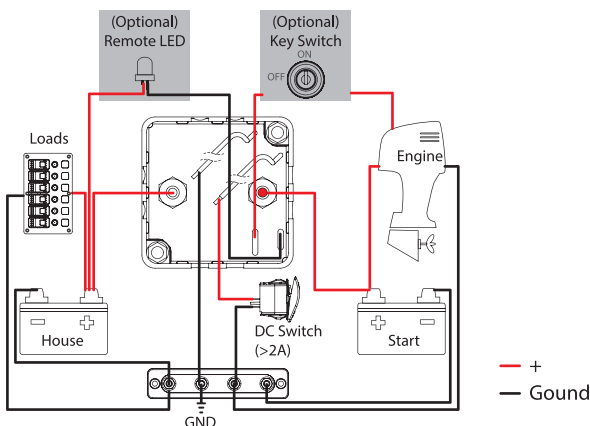


BF452



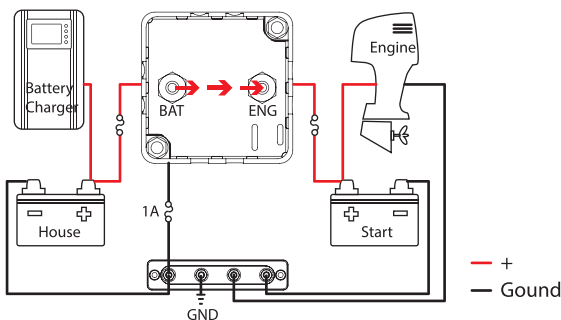
VSR (Voltage Sensitive Relay) or ACR (Automatic Charging Relay) are automatically controlled switches that allow two batteries to be combined when charging, and to be isolated when not charging and current is draining from one of the batteries. When used with battery switches, VSR helps to reserve a fully charged battery at all time, avoid the dead battery and possibility of towing on the sea. D-VSR is an upgraded Digital version of VSR with enhanced features like 12/24V system support, dual-port sensing, much lower standby power consumption and better reliability.

Wiring Example for BF452 D-VSR



※ Wiring Diagrams are for reference only, consult professionals for wiring suits your needs.

Wiring Example for D-VSR with Battery Charger



Dual Port Sensing allows Battery Charger charging to Start Battery when engine is off.

Features

- Automatically combines two batteries when charging and isolates the two batteries when not charging
- DC 12/24V input auto ranging
- Sensing voltage from either battery bank
- No voltage drops comparing to battery isolator diodes (0.6V)
- Dimensions fits BF43x Fuse Box Series and Battery Switch, matching mainstream products in market (BEP style)
- Robust Glass Fiber reinforced Nylon enclosure
- Built-in LED indication (ON when VSR engages)
- Port for remote LED indicating VSR status (LED not included)
- Surface or panel mount options provides flexibility when installing
- Optional Storage Mode allows zero power consumption when engine is off

Specifications

- Nominal Voltage | DC 12V / 24V Auto Detect
- Combine / Open Voltage | DC 13.3V / 12.8V @ 12V
DC 26.6V / 25.6V @ 24V
- Continuous Current Rating | 125A
- Intermittent Current Rating | 140A
- Power Consumption | 3mA (Standby) / 270mA (Engage) / 0mA (Storage Mode)
- Note | **CE** IP67

D-VSR with Cable Kit for 2nd Battery BF452KIT



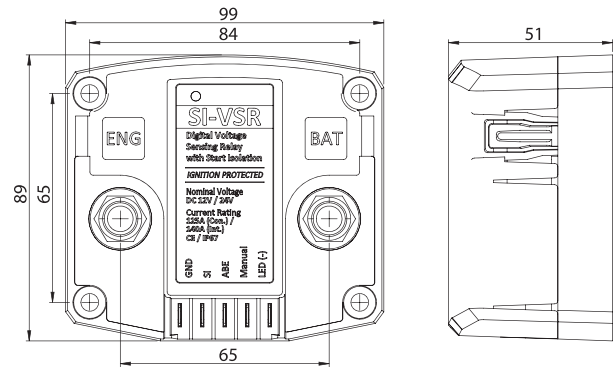
This Kit provides all the necessary cables, accessories and D-VSR that you need to install the secondary battery. Customer installing this for the first time will find it convenient to have the cables ready in single package.



Digital Voltage Sensitive Relay (VSR) with Start Isolation

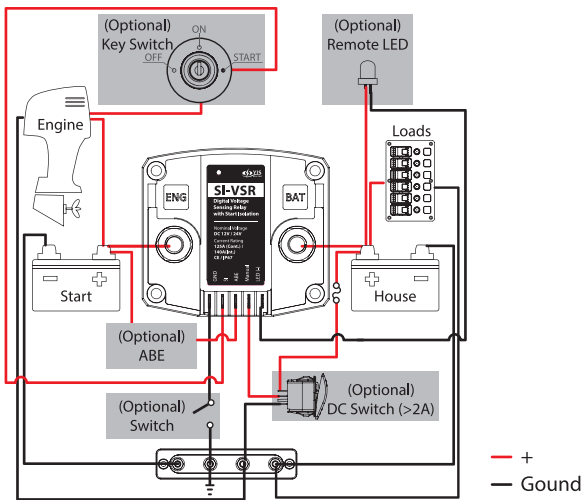
IGNITION PROTECTED

BF453 SI-VSR



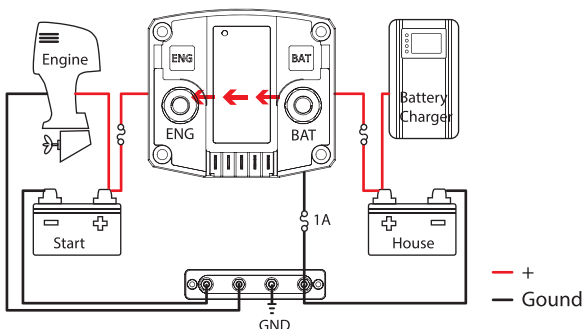
BF453 is a higher end Voltage Sensing Relay (VSR) or Automatic Charging Relay (ACR) with more advanced features such as Start Isolation (SI), Auxiliary Battery Charging Extension (ABE) and Manual Override (ON & OFF) in addition to Dual Port Sensing and 12V / 24V Compatibility. This would allow BF453 to better protect the electronics loads in the house battery side and suits more dedicated needs. The upward studs (M10) and configuration terminals design also allows it to be more easily installed than traditional VSR.

Wiring Example for BF453 SI-VSR



※ Wiring Diagrams are for reference only, consult professionals for wiring suits your needs.

Wiring Example for SI-VSR with Battery Charger



Dual Port Sensing allows Battery Charger charging to Start Battery when engine is off.

Features

- Automatically combines two batteries when charging and isolates the two batteries when not charging
- DC 12/24V input auto ranging
- Sensing voltage from either battery bank
- Upward studs (M10) and configuration pins allows easier installation
- Robust Glass Fiber reinforced Nylon enclosure
- Built-in LED indication (ON when VSR engages)
- Port for remote LED indicating VSR status (LED not included)
- Optional Storage Mode allows zero power consumption when engine is off
- Optional Start Isolation forces to temporary isolate the connection during engine cranking to protect sensitive electronics in the house loads
- Optional Aux Battery Charging Extension (ABE) allows extra time charging 2nd battery when engine idling by dropping the open voltage to lower 12.25V
- Over and Under Voltage Lockup protects unintentional grounding of the battery positive

Specifications

- Nominal Voltage | DC 12V / 24V Auto Detect
- Combine / Open Voltage |

	DC 12V		DC 24V	
Combine	13.6V	30 sec.	27.2V	30 sec.
	13.0V	90 sec.	26.0V	90 sec.
Open	12.8V	30 sec.	25.5V	30 sec.
Open(ABE)	12.2V	30 sec.	24.5V	30 sec.

- Continuous Current Rating | 125A
- Intermittent Current Rating | 140A
- Power Consumption | 5mA (Standby) / 300mA (Engage) / 0mA (Storage Mode)
- Note | **CE** IP67 ISO8846/SAE J1171 (Ignition Protected)

Circuit Protections

Modular Design Blade (ATO/ATC/ATP) Fuse Blocks

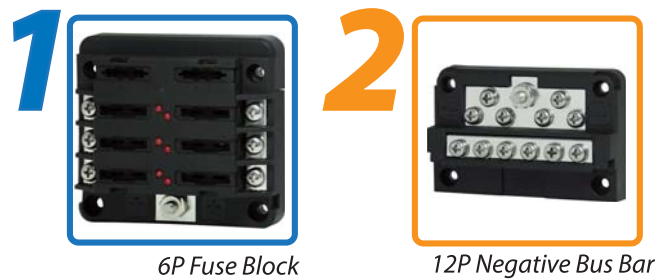
Best Seller PATENTED TW,CH

The BF27x series are compact and solid blade fuse blocks designed for 24-hour circuits. The fuse blocks come with blown fuse indication LEDs, clear cover with recessed areas for label stickers and are available in two versions with different terminals (screw or quick terminals).

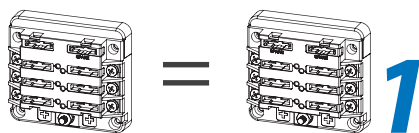


Two Modules for all

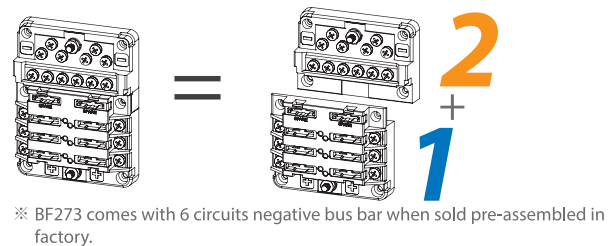
YIS Marine exclusive modular design – two basic modules can be combined into 4 popular fuse blocks (and more depending on specific needs). The assembly is very simple and can be done by consumers alone (instruction manual included). This not only gives consumers flexibility to expand their current fuse block, but also allows retailers to save precious shelf space in the store.



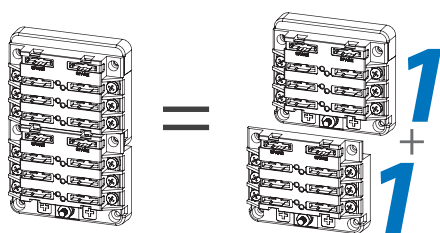
BF271 6P Fuse Block



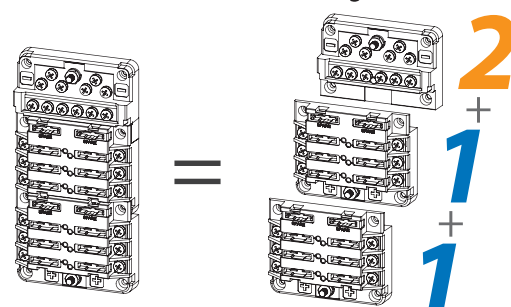
BF273 6P Fuse Block with Negative Bus Bar

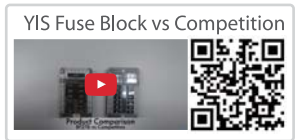


BF274 12P Fuse Block



BF275 12P Fuse Block with Negative Bus Bar





New Compact 2 in 1 model



BF276 2-in-1 Fuse Block in one piece



BF273A=BF271+BF272 (Modular Design)

- More compact and cost-effective model when you need negative bus bar pre-combined
- Size reduced by 19%, significant cost reduction
- Same design language with all same great features

Series Features

- Accepts Automotive Blade Fuses (ATC/ATO/ATP)
- Modular Design saves shelf space (2 items can be combined into 4 models)
- Transparent cover with recessed area for label stickers
- 60 pieces assorted label stickers set included
- Storage for 2 spare fuses (for each 6P block)
- LED indication of blown fuses

Specifications

- Voltage Rating | DC 32V Max
- Amp Rating per Branch | 30A (Screw Terminals) / 20A (Quick Terminals)
- Max Cumulative Amp | 100A per block
- Terminal Stud Size | M5 (3/16")
- Screw Size | M4 (5/32") (BF27x Only)
- Note | Patented in Taiwan(M490103) & China(ZL201420495842.4)

Product Series

Basic modules

The two basic module that can be combined into 4 models at end user's end



BF271 / BF281 (6P Fuse Blocks)



BF272 / BF282 (12P Negative Bus Bar)

Combined Models

Cost-effective combined Fuse Blocks with Negative Bus bar



BF276 / BF286 (6P fuse block + Neg. bus bar)



BF277 / BF287 (12P fuse block + Neg. bus bar)



BF278 / BF288 (12P fuse blocks)

Product ID	Terminals	Circuits	Negative Bus Bar	Product Dimensions (W x L x H)	Note
BF271	Screws (M4)	6	-	86 x 78 x 41 mm	6P Fuse block module
BF281	Quick (0.250")	6	-	86 x 78 x 41 mm	6P Fuse block module
BF272	Screws (M4)	-	12 Circuits	86 x 57 x 41 mm	12P Neg. bus bar module
BF282	Quick (0.250")	-	12 Circuits	86 x 57 x 41 mm	12P Neg. bus bar module
BF276	Screws (M4)	6	6 Circuits	85 x 93 x 36 mm	One-piece fuse block + neg. bus bar
BF286	Quick (0.250")	6	6 Circuits	85 x 93 x 36 mm	One-piece fuse block + neg. bus bar
BF277	Screws (M4)	12	12 Circuits	85 x 132 x 36 mm	One-piece fuse block + neg. bus bar
BF287	Quick (0.250")	12	12 Circuits	85 x 132 x 36 mm	One-piece fuse block + neg. bus bar
BF278	Screws (M4)	12	-	85 x 132 x 36 mm	One-piece fuse block
BF288	Quick (0.250")	12	-	85 x 132 x 36 mm	One-piece fuse block

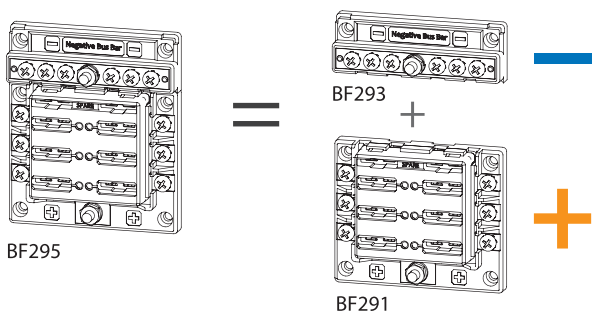
※ All models can also be sold without covers or without blown fuse indicating LEDs.

Multi-use Compact Modular Design Blade Fuse Blocks

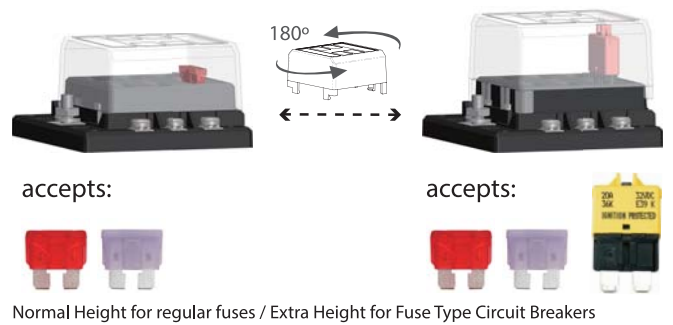
The BF29x series is more compact and economical version of the popular BF27x series. It not only keeps BF27x series signature positive / negative modular design and LED fuse blown indication, but also equipped with new features like circuit breaker type fuse support (with patent pending cover design). The patent pending cover design allows shipping and packaging in compact size while expanding the cover height when required by reversing the cover 180 degrees. BF29x is suitable not only in marine but also in the car/caravan market as a lower-cost alternative to BF27 series.



Signature Positive / Negative Modular Design



Patented dual-use cover design:



Features

- Accepts standard (ATC/ATO/ATP) blade fuses
- Modular positive and negative bus bar design
- Transparent cover with recessed area for label stickers
- 60 pieces assorted label stickers set included
- Storage for 2 spare fuses
- LED indication of blown fuses

Specifications

- Voltage Rating | DC 32V Max
- Amp Rating per Branch | 30A (Screw Terminals) / 20A (Quick Terminals)
- Max Cumulative Amp | 100A per block
- Terminal Stud Size | M5 (3/16")
- Screw Size | M4 (5/32") (BF29x Only)
- Note | Patented in Taiwan(M591252) & China(ZL 2020 2 0206415.5)



Product Series



Product ID	Terminals	Circuits	Negative Bus Bar	Product Dimensions (W x L x H)	Note
BF291	Screws (M4)	6	-	85 x 72 x 40 mm	-
BF292	Screws (M4)	12	-	85 x 117 x 40 mm	-
BF293	Screws (M4)	-	6 Circuits	85 x 29.75 x 30.9 mm	Negative Bus Bar Module (6P)
BF294	Screws (M4)	-	12 Circuits	85 x 29.75 x 30.9 mm	Negative Bus Bar Module (12P)
BF295	Screws (M4)	6	6 Circuits	85 x 100 x 40 mm	Pre-assembled fuse block w/ bus bar
BF296	Screws (M4)	12	12 Circuits	85 x 145 x 40 mm	Pre-assembled fuse block w/ bus bar
BF291Q	Quick (0.250")	6	-	85 x 72 x 40 mm	-
BF292Q	Quick (0.250")	12	-	85 x 117 x 40 mm	-
BF294Q	Quick (0.250")	-	12 Circuits	85 x 29.75 x 25.2 mm	Negative Bus Bar Module (12P)*
BF295Q	Quick (0.250")	6	12 Circuits	85 x 100 x 40 mm	Pre-assembled fuse block w/ bus bar
BF296Q	Quick (0.250")	12	12 Circuits	85 x 145 x 40 mm	Pre-assembled fuse block w/ bus bar

*Quick terminal negative bus bar (BF294Q) comes without cover due to its upward terminal design; use screw terminal version (BF294) if cover is required.

Watch Video for More



How is YIS Marine BF29X series different from cheap products from Chinese Competitors?





Compact Design Independent Source Blade Fuse Blocks

PATENTED TW

BF279 / BF289

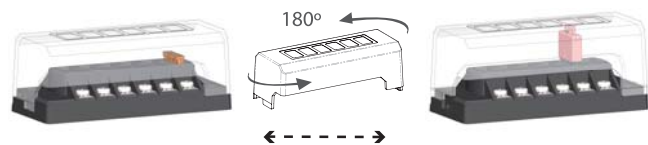
Patented Dual-height cover



Recessed area for label stickers

LED indication of blown fuses

Patented dual-use cover design



accepts:



Normal Height for regular fuses

accepts:



Extra Height for Fuse Type Circuit Breakers

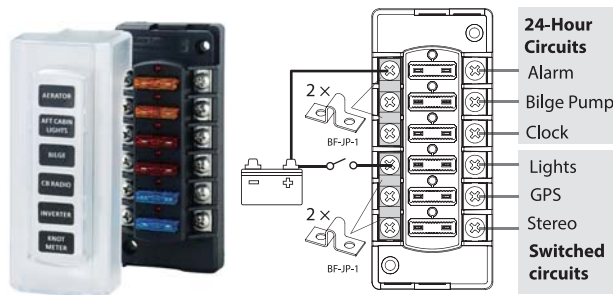
Features

- Ultra compact size 6 way independent source fuse block
- Can be used for switched circuits and 24-hour circuits in the same block
- Accepts standard (ATC/ATO/ATP) blade fuses
- Patented cover design supports circuit breaker type fuses with extra height
- Transparent cover with recessed area for label stickers
- 60 pieces assorted label stickers set included
- LED indication of blown fuses

Specifications

- Voltage Rating | DC 32V Max
- Amp Rating per Branch | 30A (BF279) / 20A (BF289)
- Max Cumulative Amp | 40A per jumper circuit group
- Screw Size | M4 (5/32") (BF279)
- Note | Patented in Taiwan(D214940)

BF279/BF289 Independent Source Fuse Block



Can be flexibly divided into 24 hour circuits and switched circuits
* Jumpers are only available for Screw Terminals version (BF279)

Product Series

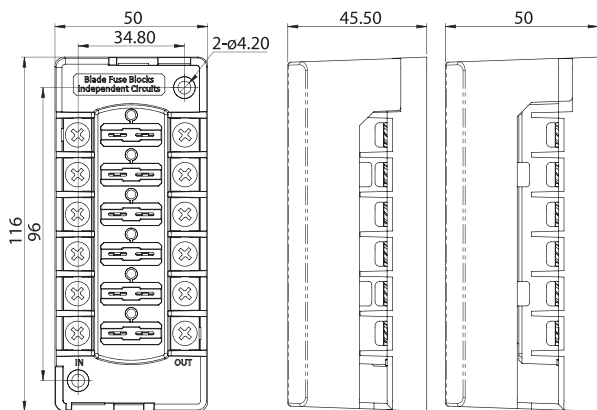


BF279 6P Screw Terminals

BF289 6P Quick Terminals



BF-JP-1 Jumper for BF279





CLB / CMB Circuit Breaker Boxes

BF221I(B) 6P Independent Source (B: with PVC Boot)
 BF221C(B) 6P Common Source with Neg. Bus Bar (B: with PVC Boot)



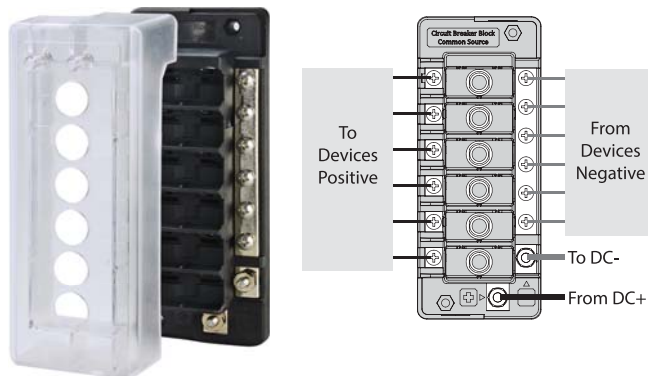
Features

- Install circuit breakers as easy as blade fuses
- Accepts both CLB & CMB circuit breakers
- 100A Positive Bus Bar with M5 (#10) Studs
- M4 (#8) screw terminals accepts ring terminals
- Transparent cover with recessed area for label stickers
- 60 pieces assorted label stickers set included
- Optional push button waterproof boots can be installed on cover

Specifications

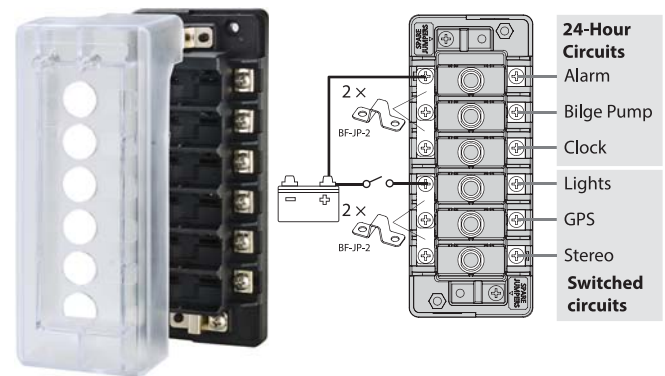
- Voltage Rating | DC 32V Max
- Amp Rating per Branch | 30A
- Max Cumulative Amp | 100A per block
- Terminal Stud Size | M5 (3/16")
- Screw Size | M4 (5/32")
- Dimensions | 65.5 x 160 x 56 mm
65.5 x 160 x 73 mm (with PVC Boot)
- Note |

BF221C(B) 6P Common Source with Neg. Bus Bar (B: with PVC Boot)





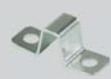
One positive feed in, six protected output to devices

BF221I(B) 6P Independent Source (B: with PVC Boot)



Can be flexibly divided into 24 hour circuits and switched circuits

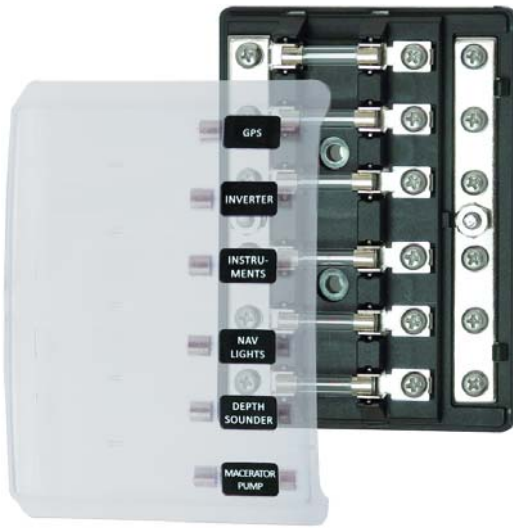
Related Products

<p>CB-P100</p>  <p>Push Reset Circuit Breaker</p> <p>DC 12V/24V 3-50A</p>	<p>CB-P200</p>  <p>Mini Size Push Reset Circuit Breaker</p> <p>DC 12V/24V 3-50A</p>	<p>BF-JP-2</p>  <p>Fuse Block Jumpers</p> <p>Tin-Plated Brass for use with BF221X</p>
--	--	--



Modern Design Glass-tube AGC Fuse Blocks Series

BF210 / BF211 / BF212



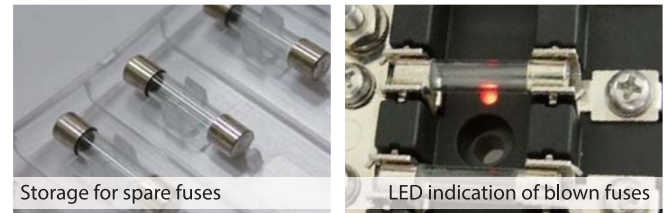
Features

- LED indication of blown fuses
- Redesigned fuse clips hold fuses firmly and steadily
- Transparent cover with recessed area for label stickers and storage for 6 spare fuses
- 60 pieces label stickers included

Specifications

- Base Material | PBT, glass fiber reinforced
- Max Operating Voltage | 32V
- Amp Rating per Branch | 30A
- Max Cumulative Amp | 100A per block
- Screw Size | M4 (5/32")
- Terminal Stud Size | M5 (3/16")
- Note | Patented in Taiwan(D182308) & China(ZL201630425859.7)

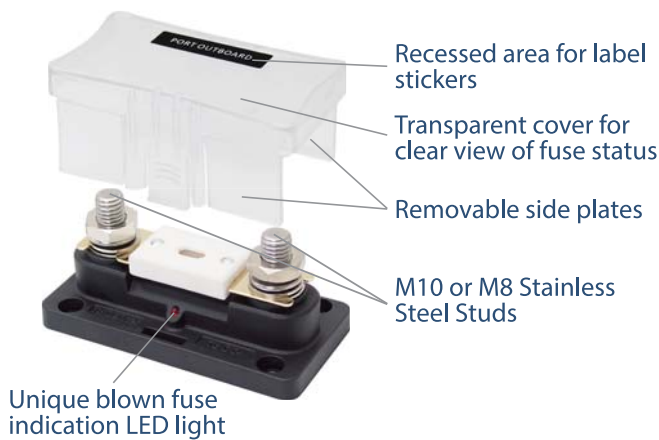
* M4 screw is comparable to #8-32 screws and M5 stud is comparable to #10-32 Studs.



Product ID	Circuits	Positive Source	Negative Bus Bar	Product Dimensions	Note
BF210-6	6	Common Source	6 Circuits	129 x 91 mm	Common Source Fuse Block with Negative Bus Bar
BF211-6	6	Common Source	-	129 x 91 mm	Common Source Fuse Block
BF212-6	6	Independent Source	-	129 x 91 mm	Independent Source Fuse Block

Compact ANL Fuse Holder

BF461 / BF461-M8

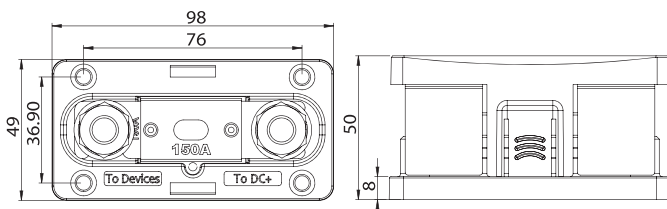


Features

- Accepts 35-300A ANL Fuses (not included)
- Compact size 49 x 98 x 50 (W x L x H) mm (including cover)
- Transparent cover for clear view of fuse status
- Cover with recessed area for label stickers (5 pcs assorted label stickers included)
- Bendable / removable side plates for flexible wiring
- Unique blown fuse indication LED light

Specifications

- Max Operation Voltage | DC 32V
- Max Continuous Current | 35-300A (fuse dependent)
- Terminal Stud Size | 2 x M10(3/8") (BF461)
2 x M8(5/16") (BF461-M8)

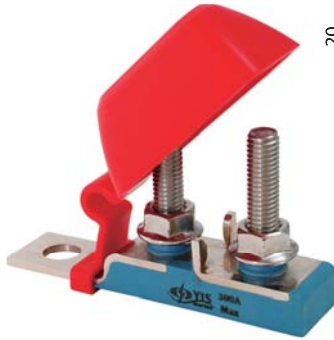
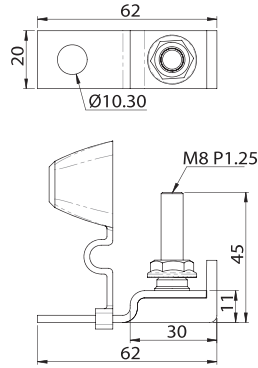


MRBF Terminal Fuse Block
BF462 / BF463

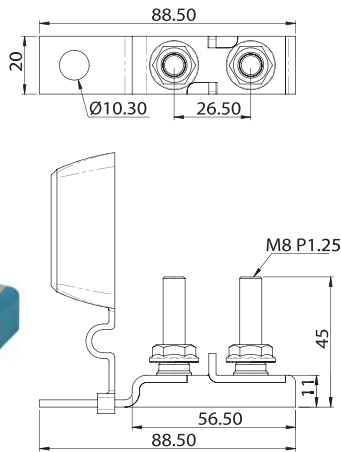
New Product



BF462



BF463



Specifications

- Max Operation Voltage | DC 58V
- Max Continuous Current | 30-300A (fuse dependent)
- Terminal Stud Size | M8(5/16")

Features

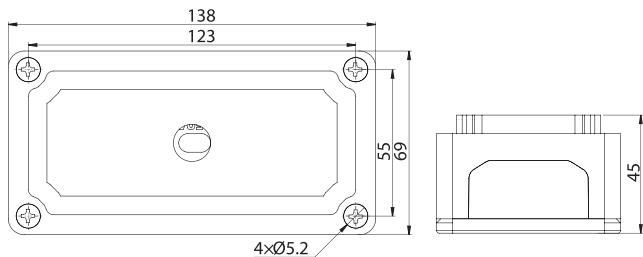
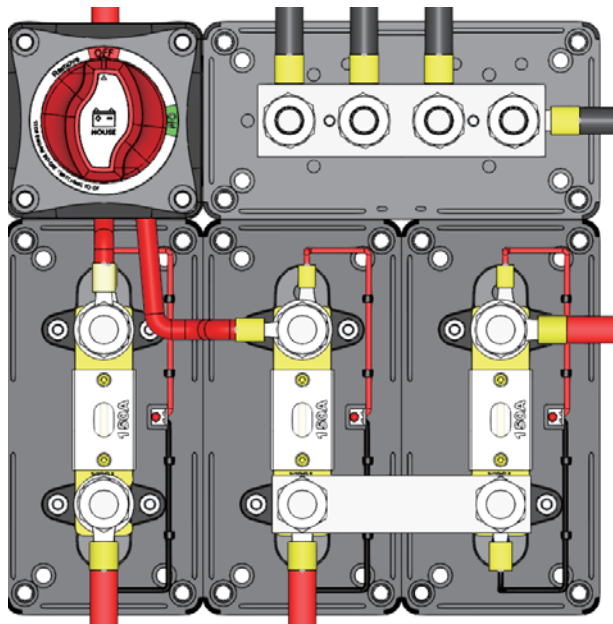
- Accepts high-amp MRBF fuse—appropriate for inverter, windlass, bow thruster and DC main circuit protection
- Convenient and compact installation directly on battery studs
- Isolated stud design allowing stacking of M8 (5/16") ring terminals
- TPV Insulating cap preventing accidental shorts circuits
- Accepts M8 (5/16") ring terminals
- Mounts on M10 (3/8") terminal studs – M8 customized version also available.
- MRBF fuses not included





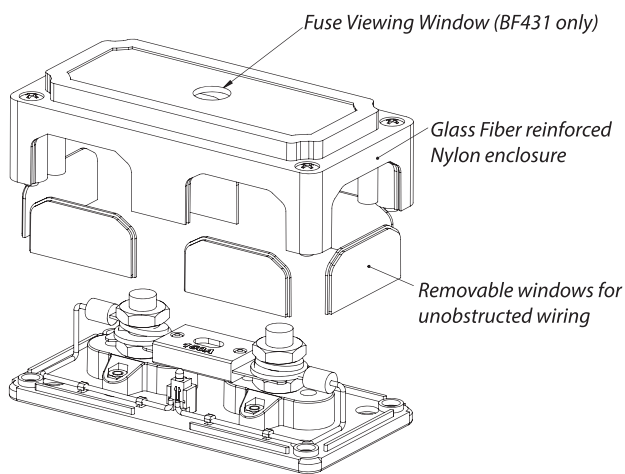
Heavy-Duty Modular Design Fuse Block & Bus Bars

Module box design for clean, neat and easy wiring configurations



Features

- Module box design for easy wiring configurations
- Robust Glass Fiber reinforced Nylon enclosure
- All models are of the same dimensions (see below)
- 6 removable windows at 4 directions
- Blank write-on space on the top allows easy labeling
- Complete product line including fuse blocks, bus bars and terminal studs



Module Design ANL Fuse Box

BF431 Heavy-Duty Modular Design ANL Fuse Box

BF431S Heavy-Duty ANL Fuse Box with Additional Cable Connection Studs



BF431

- Withstands high currents between 100-300A ANL Fuses (not included)
- Open window on the top for clear vision of blown fuse
- LED indication of blown fuse condition (turns on when fuse blows)

Specifications

- Max Operating Voltage | DC 32V
- Max Continuous Amp | 35-300A (determined by fuse)
- Terminal Stud Size | 2 x M10 (3/8")



BF431S

- Additional studs with heavy duty oxygen-free copper bus bar
- Withstands high currents up to 750A ANL Fuses (not included)
- Open window on the top for clear vision of blown fuse
- LED indication of blown fuse condition (turns on when fuse blows)

Specifications

- Bus Material | Oxygen-free Copper, Nickel plated
- Max Operating Voltage | DC 32V
- Max Continuous Amp | 35-750A (determined by fuse)
- Terminal Stud Size | 4 x M10 (3/8")

Heavy Duty Bus Bar Box

BF432 / BF432-M8 Heavy-Duty Module Design Bus Bar Box with 4 Terminal Studs



- Highest amperage rated bus bar (300A) with M10 terminal studs (also available in M8)
- Blank write-on space on the top allows easy labeling for each branch

Specifications

- Bus Material | Brass, Nickel plated
- Max Operating Voltage | DC 48V
- Max Continuous Amp | 300A
- Terminal Stud Size | 4 x M10 (3/8") (BF432) / 4x M8 (5/16") (BF432-M8)

Heavy Duty Bus Bar Box

BF433 Heavy-Duty Module Design Bus Bar Box with 2 x M10 Terminal Studs & 6 x M5 Screws



- Highest amperage rated bus bar (300A) with M10 terminal studs
- Blank write-on space on the top allows easy labeling for each branch

Specifications

- Bus Material | Brass, Nickel plated
- Max Operating Voltage | DC 48V
- Max Continuous Amp | 300A
- Terminal Stud Size | 2 x M10 (3/8")
- Screw Size | 6 x M5 (3/16")

Heavy Duty Dual Bus Bar Box

BF434 Heavy-Duty Modular Design Dual Bus Bars with Connecting Link



- Dual Bus Bar with removable connecting link
- Nickel plated brass bus bar allowing current up to 100A
- Blank write-on space on the top allows easy labeling for each branch

Specifications

- Bus Material | Brass, Nickel plated
- Max Operating Voltage | DC 48V
- Max Continuous Amp | 100A
- Terminal Stud Size | 4 x M6 (1/4")
- Screw Size | 12 x M4 (5/32")

4 Way Heavy-Duty Terminal Studs Box

BF435 Heavy-Duty Modular Design Terminal Studs with Insulation Partition



- Allow terminating of heavy-duty cables for one or more connections (each terminal)
- Removable insulation partition included
- Heavy duty terminal studs (up to M10), allowing current up to 200A (rating determined by wires connected)
- Terminal Studs available in M8 or M10 (Default: M10)
- Blank write-on space on the top allows easy labeling for each branch

Specifications

- Max Operating Voltage | DC 48V
- Max Amp per circuit | Determined by wires connected
- Terminal Stud Size | 4 x M10 (3/8")

Classic Fuse Block & Bus Bars

Common Source AGC Fuse Blocks

BF201(2P-12P)



Dimensions	
Product ID	Dimensions (H x W)
BF201-2P	57 x 31 mm
BF201-4P	57 x 62 mm
BF201-6P	57 x 93 mm
BF201-8P	57 x 126 mm
BF201-10P	57 x 157 mm
BF201-12P	57 x 188 mm

Specifications

- Base Material | ABS + Glass Fiber
- Clip Material | Brass
- Max Operating Voltage | DC 32V
- Max Amp per circuit | 20A
- Max Cumulative Amp | 60A
- Screw Size | M5 x P0.8 x 6

Reinforced Nylon Base Glass-tube AGC Fuse Blocks

BF202 / BF205 / BF206 (4P, 6P, 8P)



Product ID	BF202	BF206	BF205
Description	Common Source Fuse Block with Negative Bus	Common Source Fuse Block	Independent Source Fuse Block
Positive Source	Common Source	Common Source	Independent Source
Negative Bus Bar	Yes	None	None
Max Cumulative Amp	80A	50A	-
Dimensions (L x W)			
4P	84 x 76 mm	62 x 76 mm	62 x 76 mm
6P	84 x 114 mm	62 x 114 mm	62 x 114 mm
8P	84 x 152 mm	62 x 152 mm	62 x 152 mm

Specifications

- Base Material | Nylon, Glass Fiber reinforced
- Clip Material | Brass
- Max Operating Voltage | DC 32V
- Max Amp per circuit | 20A
- Max Cumulative Amp | See each model
- Screw Size | No.8-32 x 1/4

Bus Bars

Dual Bus Bars

BF204(4P-8P)



Dimensions	
Product ID	Dimensions (H x W)
BF204-4P	38 x 76 mm
BF204-6P	38 x 114 mm
BF204-8P	38 x 152 mm

Specifications

- Base Material | Nylon, Glass Fiber reinforced
- Bus Material | Brass
- Max Operating Voltage | DC 32V
- Max Cumulative Amp | 60A for each bus
- Screw Size | No.8-32x1/4

Large Current Bus Bar

BF207 (10P)



Specifications

- Base Material | PBT, Glass Fiber reinforced
- Bus Material | Copper, Brass-plated
- Max Operating Voltage | DC 48V
- Max Cumulative Amp | 150A
- Screw Size | No.8-32 x 1/4
- Terminal Stud Size | M6 x 25mm
- Dimensions (L x W) | 146 x 31.5mm

Fuses (Glass-tube Fuses / Automotive Blade Fuses & Other Fuses)

JMC / JTG Fuses | Japanese standard size 6.3 x 30mm glass-tube fuses



JMC Fuses
Fast-acting glass-tube fuses

Specifications	
Dimension	Φ6.3 x 30.0mm
Cap Material	Nickel-plated Brass
Max. Voltage	DC 32V, AC 250V
Amps	0.1A-30A
Note	RoHS Compliant

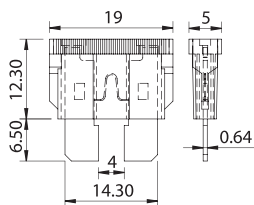
GMA / GTE Fuses | Mini size glass-tube fuses (5 x 20mm)



GMA Fuses
Mini-size fast-acting glass-tube fuses

Specifications	
Dimension	Φ5.0 x 20.0mm
Cap Material	Nickel-plated Brass
Max. Voltage	AC 250V
Amps	0.1A-20A
Note	RoHS Compliant UL, CSA for 10A and less

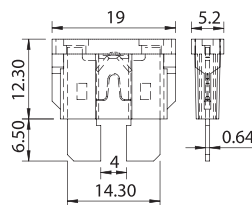
ATO/ATC/ATP – Standard Blade Fuses



Product ID	Amps	Color Coding
F-ATP-1A	1 A	Black
F-ATP-2A	2 A	Gray
F-ATP-3A	3 A	Violet
F-ATP-4A	4 A	Pink
F-ATP-5A	5 A	Tan
F-ATP-7.5A	7.5 A	Brown
F-ATP-10A	10 A	Red
F-ATP-15A	15 A	Lt. Blue
F-ATP-20A	20 A	Yellow
F-ATP-25A	25 A	Natural
F-ATP-30A	30 A	Lt. Green

- Voltage Rating: DC 32V
- Transparent body for easy indication of blown fuse

ATO/ATC/ATP Fuses – Standard Blade Fuses with Blown Indication Lamp

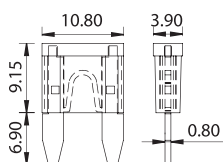


Product ID	Amps	Color Coding
F-ATPL-3A	3 A	Violet
F-ATPL-4A	4 A	Pink
F-ATPL-5A	5 A	Tan
F-ATPL-7.5A	7.5 A	Brown
F-ATPL-10A	10 A	Red
F-ATPL-15A	15 A	Lt. Blue
F-ATPL-20A	20 A	Yellow
F-ATPL-25A	25 A	Natural
F-ATPL-30A	30 A	Lt. Green

- Voltage Rating: DC 32V
- Transparent body for easy indication of blown fuse
- Indicating lamp lights up when fuse is blown



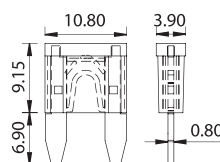
ASP/ATM/Mini – Mini Blade Fuses



Product ID	Amps	Color Coding
F-ATM-2A	2 A	Gray
F-ATM-3A	3 A	Violet
F-ATM-4A	4 A	Pink
F-ATM-5A	5 A	Tan
F-ATM-7.5A	7.5 A	Brown
F-ATM-10A	10 A	Red
F-ATM-15A	15 A	Lt. Blue
F-ATM-20A	20 A	Yellow
F-ATM-25A	25 A	Natural
F-ATM-30A	30 A	Lt. Green

- Compact size
- Voltage Rating: DC 32V
- Transparent body for easy indication of blown fuse

ASP/ATM/Mini – Mini Blade Fuses with Blown Indication Lamp

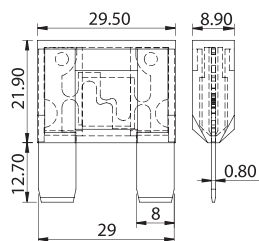


Product ID	Amps	Color Coding
F-ATML-3A	3 A	Violet
F-ATML-4A	4 A	Pink
F-ATML-5A	5 A	Tan
F-ATML-7.5A	7.5 A	Brown
F-ATML-10A	10 A	Red
F-ATML-15A	15 A	Lt. Blue
F-ATML-20A	20 A	Yellow
F-ATML-25A	25 A	Natural
F-ATML-30A	30 A	Lt. Green

- Compact size
- Voltage Rating: DC 32V
- Transparent body for easy indication of blown fuse
- Indicating lamp lights up when fuse is blown



MAXI / ATX – Heavy-duty Blade Fuses



- Heavy-duty blade fuse protects circuits up to 80A
- Voltage Rating: DC 32V
- Transparent body for easy indication of blown fuse
- Optional gold plated terminals available

Product ID	Amps	Color Coding
F-ATX-20A	20 A	Yellow
F-ATX-30A	30 A	Green
F-ATX-40A	40 A	Orange
F-ATX-50A	50 A	Red
F-ATX-60A	60 A	Blue
F-ATX-70A	70 A	Tan
F-ATX-80A	80 A	Natural

Dual-Purpose Fuse Tester/Puller F-FT-1

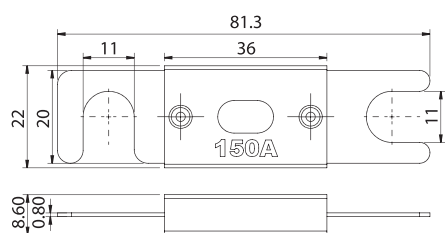


- Indicating Green LED for easy identification of blown fuse in fuse box
- Adjustable probe pitch allowing test on fuses of different sizes: MAXI, ATO/ATC, ATM
- Fuse puller for easy removal of blown fuse



Other Fuses

ANL Fuses– Fuses for high amperage applications



- Body Material: See Below
- Metal Element: Brass, Gold Plated
- Voltage: 32V DC
- Ignition Protected (ISO8846) model available at extra cost

Electrical characteristics	
% of Amp. Rating	Blowtime
100% Rating	4 Hours, Minimum
150% Rating	60 Sec., Minimum
200% Rating	15 Sec., Minimum

Product ID	Amps	Body Material
F-ANL-35A	35A	Nylon + Glass Fiber
F-ANL-50A	50 A	Nylon + Glass Fiber
F-ANL-70A	70 A	Nylon + Glass Fiber
F-ANL-100A	100 A	Ceramic
F-ANL-150A	150 A	Ceramic
F-ANL-200A	200 A	Ceramic
F-ANL-250A	250 A	Ceramic
F-ANL-300A	300 A	Ceramic
F-ANL-350A	350 A	Ceramic
F-ANL-400A	400 A	Ceramic



Standard Version



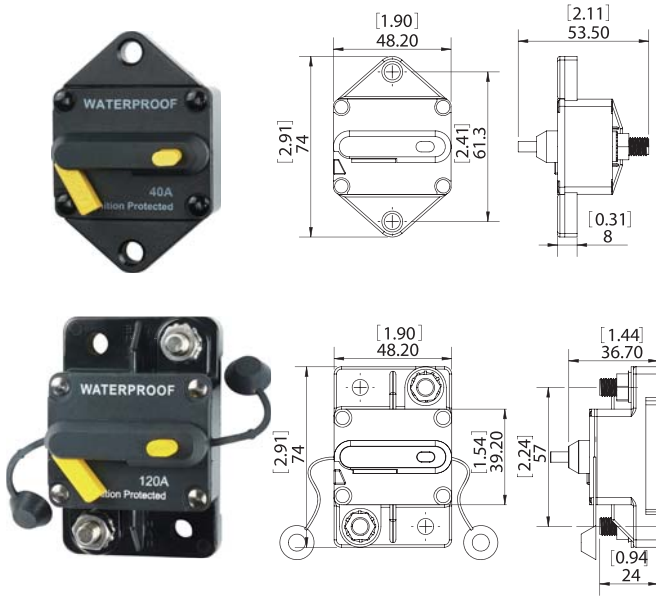
ISO8846 Certified Version (Fully Potted)

Circuit Breakers

Single Pole Thermal Circuit Breaker

CB-E95/E98 Manual Reset

CB-E96/E99 Switchable Reset (Manual ON-OFF)



Features

- Trip-free safety design – cannot be closed after trip
- IP67 – Protection even under temporary water immersion
- Visible reset lever indicating open condition
- Manual OPEN button to manually isolate the circuit (CB-E96 / E99 Only)
- Available in surface mount or panel mount models
- Ignition protected – safe for use in engine compartment

Specifications

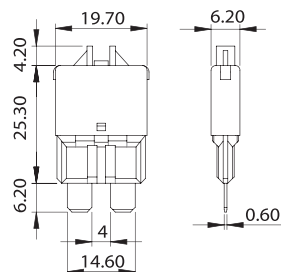
- Interrupting Capacity (AIC) | 3,000A @ DC 48V
- Voltage Rating | DC 48V Max
- Current Rating | DC 25 – 150A
- Terminal Studs | 1/4" – 28
- Note | CE SAE J1625 / ABYC E-11 / SAE J1171 / UL 1500 / IP67



Product ID	CB-E95	CB-E96	CB-E98	CB-E99
Mounting	Panel Mount	Panel Mount	Surface Mount	Surface Mount
Function Type	Manual Reset	Switchable Reset	Manual Reset	Switchable Reset

ATC Fuse Type Circuit Breaker

CB-E39

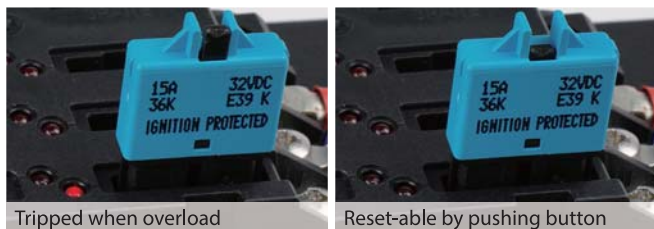


Features

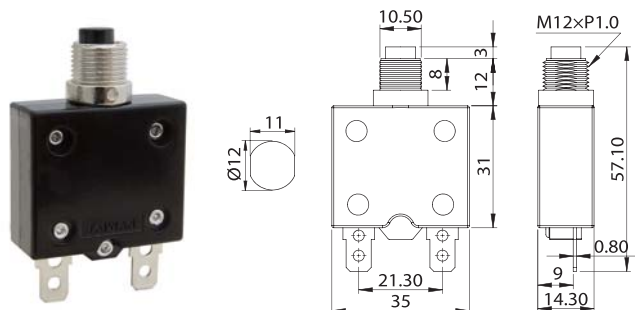
- Low profile design
- Thermal Type Circuit breaker with Manual Reset button
- Compatible with ATC fuse blocks

Specifications

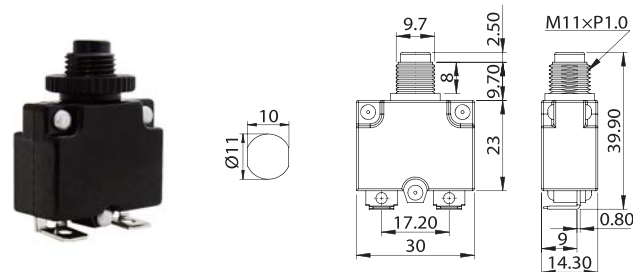
- Interrupting Capacity (AIC) | 2,000A @ DC 28V
- Voltage Rating | DC 28V Max
- Current Rating | DC 5 – 30A
- Note | SAEJ 553 / SAEJ 1171 / UL1500 / ISO8846



Push Reset Circuit Breaker CB-P100



Mini Size Push Reset Circuit Breaker CB-P200



Specifications

- Voltage Rating | DC 50V, AC 125V/250V
- Amps | 3A-50A
- Dielectric Strength | AC 1500V/1 Minute
- Interrupting Capacity | 1000A @125VAC, 2000A @250VAC
- Insulation Resistance | > 100 MΩ
- Note | Approval: 3-30A 125/250V AC

Specifications

- Voltage Rating | DC 50V, AC 125V/250V
- Amps | 3A-20A
- Dielectric Strength | AC 1500V/1 Minute
- Interrupting Capacity | 1000A @125VAC, 1000A @250VAC
- Insulation Resistance | > 100 MΩ
- Note | Approval: 3-15A 125/250V AC

Coding Guide for Circuit Breakers with Accessories

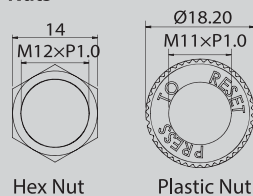
CB-P100□□□□ - □□A - □□
(1) (2) (3) (4) (5) (6) (7)

(1) Model #	(2) Bushing	(3) Nuts	(4) Nameplate	(5) Terminal	(6) Current Rating
P100 Standard	H Metal M11x1.0	H Hex Nut	None	180°	□□ A □□ Amp
P200 Mini-sized	L Metal M12x1.0 (CB-P100 only) P Plastic M11x1.0 (CB-P200 only)	P Plastic Nut (CB-P200 only)	W with nameplate	F 90°	

(7) Rubber Boot

Shape	Color
None	B Black
3 Type 1	C Clear
4 Type 2	

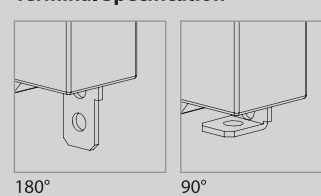
Nuts



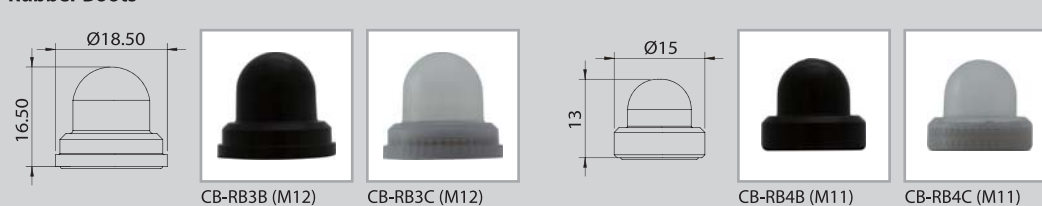
Nameplate



Terminal Specification



Rubber Boots



Fuse Holders

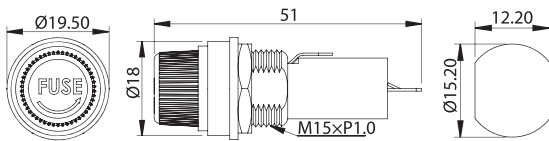
for AGC/JMC fuses



Panel Mount Fuse Holder with Screw Cap BF101



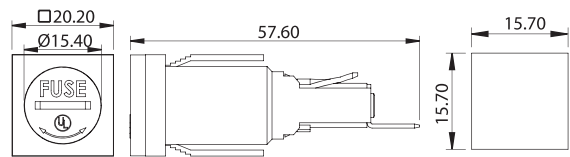
- For 6.3 x 32mm (AGC or ATE) or 6.3 x 30mm (JMC or JTG) fuses
- Bakelite body
- Water-resistant screw cap
- Solder terminal



Square Panel Mount Fuse Holder with Slotted Bayonet Cap BF105



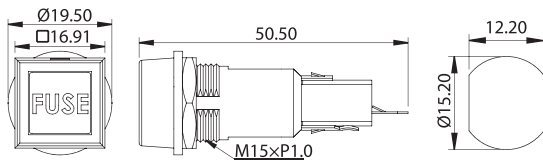
- For 6.3 x 32mm (AGC or ATE) or 6.3 x 30mm (JMC or JTG) fuses
- Bakelite body
- Slotted bayonet cap
- 0.250" Quick Connect Terminal



Square Panel Mount Fuse Holder with Push-in Cap BF103



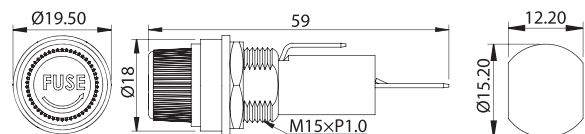
- For 6.3 x 32mm (AGC or ATE) or 6.3 x 30mm (JMC or JTG) fuses
- Bakelite body
- Push-in cap available in red or white
- Solder terminal



Panel Mount Fuse Holder with Screw Cap BF110



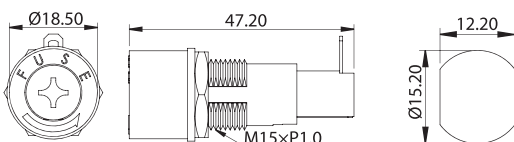
- For 6.3 x 32mm (AGC or ATE) or 6.3 x 30mm (JMC or JTG) fuses
- Bakelite body
- Water-resistant screw cap
- 0.250" Quick Connect Terminal



Panel Mount Fuse Holder with Screw Cap BF104



- For 6.3 x 32mm (AGC or ATE) or 6.3 x 30mm (JMC or JTG) fuses
- Bakelite body
- Screw cap with Phillips drive
- Solder terminal



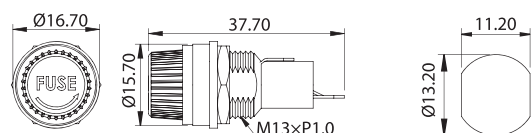
for GMA fuses



Panel Mount Fuse Holder with Screw Cap BF102



- For 5 x 20mm (GMA or GTE) fuses
- Bakelite body
- Water-resistant screw cap
- Solder terminal



Coding Guide for pre-wired in-line fuse holders

BF-301 - □ - □ □ □ # - □ □ □ "

(1) (2) (3) (4)

(1) Wire Leads	(2) Wire Spec	(3) Wire Gauge	(4) Wire Length
- Unwired	A UL1007	22# AWG	XX" length in inches
L Loop Lead	B UL1015		
C Cut			
S Semi-stripped			
T Tinned (stripped)			

for AGC/JMC fuses



In-Line Fuse Holder for AGC/JMC Fuses BF309



- For 6.3 x 32mm (AGC/ATE) or 6.3 x 30mm (JMC/JTG) fuses
- Amperage rating: Max 30A
- Wire Gauge: #14-#18 AWG

In-Line Fuse Holder for AGC/JMC Fuses BF301



- For 6.3 x 32mm (AGC or ATE) or 6.3 x 30mm (JMC or JTG) fuses
- Wire Gauge : #16-#22 AWG

Water-resistant In-Line Fuse Holder for AGC/JMC Fuses BF308



- For 6.3 x 32mm (AGC/ATE) or 6.3 x 30mm (JMC/JTG) fuses
- Wire Gauge: #16-#18
- Water-resistant (for #16-#18 AWG wires only)

In-Line Fuse Holder with 3-pin connector (pre-wired) BF304



In-Line Fuse Holder with 2-pin connector (pre-wired) BF305



BF301 with 3-pin connector (pre-wired)

- BF301 with 2-pin connector (pre-wired)
- BF305A : Standard Type
 - BF305B : Mini Type

In-Line Fuse Holder for AGC/JMC Fuses BF302



- For 6.3 x 32mm (AGC/ATE) or 6.3 x 30mm (JMC/JTG) fuses
- Bakelite body
- Wire Gauge: #10-#22 AWG

for GMA fuses



In-Line Fuse Holder for AGC/JMC Fuses BF310



- For 6.3 x 32mm (AGC/ATE) or 6.3 x 30mm (JMC/JTG) fuses
- Wire Gauge: #14-#20 AWG

In-Line Fuse Holder for GMA/GTE Fuses BF303



- For 5 x 20mm (GMA/GTE) fuses
- Wire Gauge: #16-#22 AWG

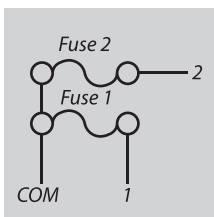
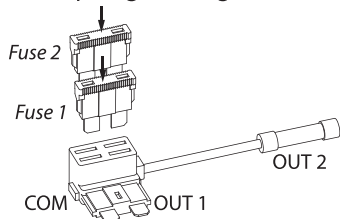
Add-A-Circuit In-line Fuse Holders

BF357 - for ATC/ATO/ATP Fuses

BF357S - for ATM Fuses



- Add a second protected circuit easily
- 2P fuse holder (1 common source input, 2 outputs)
- Wire Gauge: #14 - #18 (Default: #16/ 127mm long)
- Amperage Rating: Max 30A



Wiring Diagram



Water-resistant In-Line Fuse Holder for ATC/ATO/ATP Fuses

BF351



- For ATC/ATO/ATP automotive fuses
- Amperage rating: Max 30A
- Wire Gauge: #10-#18 AWG
- Molded wiring for better sealing
- Water-resistant

Water-resistant In-Line Fuse Holder for ATC/ATO/ATP Fuses

BF354



- For ATC/ATO/ATP automotive fuses
- Available in blue or red
- Amperage rating: Max 20A
- Wire Gauge: #14-#18 AWG

Water-resistant In-Line Fuse Holder for Automotive Fuses

BF353



- Water-resistant with cap
- Molded wiring for better sealing
- Available in 3 different sizes

Product Series			
Product ID	Compatible Fuses	Wire Gauge	Amp Rating
BF353S	ATM/ASP	#12-#16	30A
BF353	ATC/ATO/ATP	#10-#18	30A
BF353L	MAXI/ATX	#6 - #8	80A

In-Line Fuse Holder for ATC/ATO/ATP Fuses

BF352



- For ATC/ATO/ATP automotive fuses
- Amperage rating: Max 20A
- Wire Gauge: #10-#18 AWG
- Cap with see-thru window for clear view of blown fuses
- Holder for spare fuse or for mounting of multiple fuse holders

In-Line Fuse Holder for ATC/ATO/ATP and ATM Fuses

BF356



- Concave shape allowing clear view of blown fuses
- Molded wiring for better sealing

Product Series			
Product ID	Compatible Fuses	Wire Gauge	Amp Rating
BF356S	ATM/ASP	#12-#20	30A
BF356	ATC/ATO/ATP	#10-#18	30A

In-Line Fuse Holder for ATC/ATO/ATP Fuses

BF355



- For ATC/ATO/ATP automotive fuses
- Low cost model
- Amperage rating: Max 20A
- Wire Gauge: #14-#18 AWG

Connectors & Buses

Heavy-Duty Bus Bars (Imperial Threading - Upgraded 2020)

- Imperial threading screws and studs for US market
- Optional insulation cover
- Tin-plated copper bus allowing large current (100A up)
- Stainless steel screws and studs provide great anti-corrosion ability on board
- Upgraded design with Serrated Flange Nuts encourages correct installation of ring terminals
- Can be customized in Metric Threading with MOQ

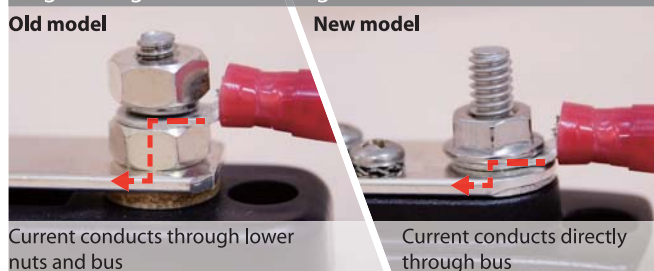
Product ID	Studs	Screws	Rating
BF471	2 x 3/16"-24	5 x #8-32	100A
BF472	4 x 3/16"-24	-	100A
BF473	2 x 1/4"-20	10 x #8-32	150A
BF474	4 x 1/4"-20	-	150A
BF475	2 x 1/4"-20	20 x #8-32	150A
BF476	6 x 1/4"-20	-	150A
BF477	2 x 1/4"-20	12 x #8-32	150A
BF478	4 x 5/16"-18	-	250A
BF479	6 x 5/16"-18	-	250A
BF480	2 x 5/16"-18	12 x #10-24	250A
BF481	4 x 3/8"-16	-	600A
BF482	8 x 3/8"-16	-	600A

Specifications

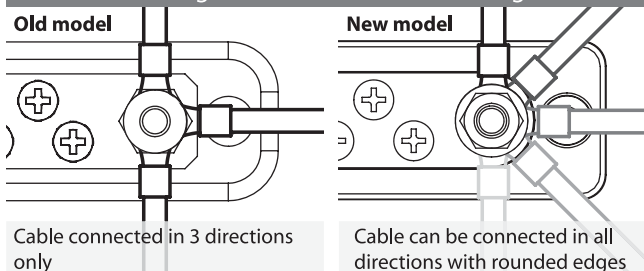
- Voltage Rating | DC 48V Max
- Studs and Screws | Stainless Steel
- Bus Bar | Tin-Plated Copper

Upgrades from old models

Single Flanged Nut encourages correct installations

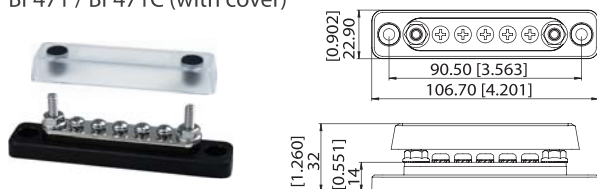


Rounded bus edge allows more flexible wiring

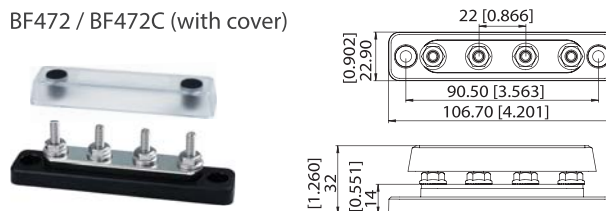


Mini Bus Bars (100A)

BF471 / BF471C (with cover)



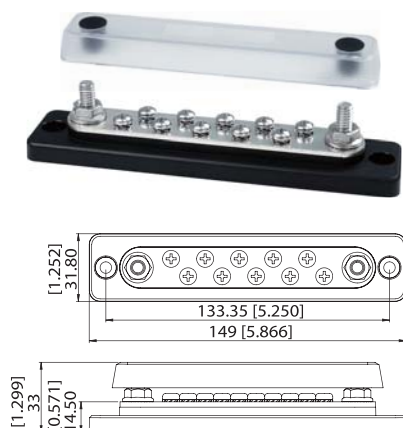
BF472 / BF472C (with cover)



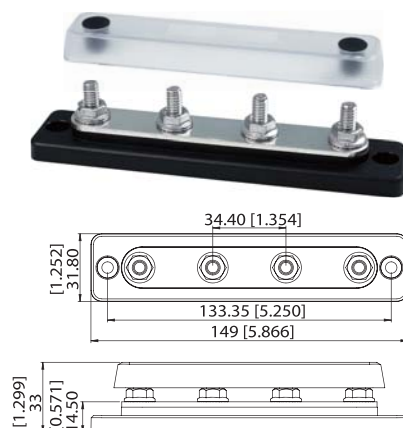
Common Bus Bars (150A)

Standard 150A bus bar with sturdy design

BF473 / BF473C (with cover)



BF474 / BF474C (with cover)



BF477 / BF477C (with cover)

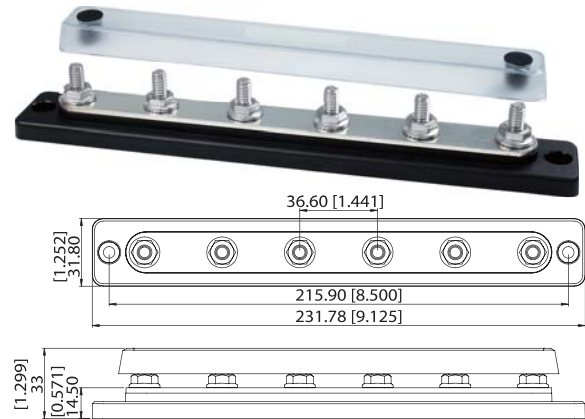




BF475 / BF475C (with cover)



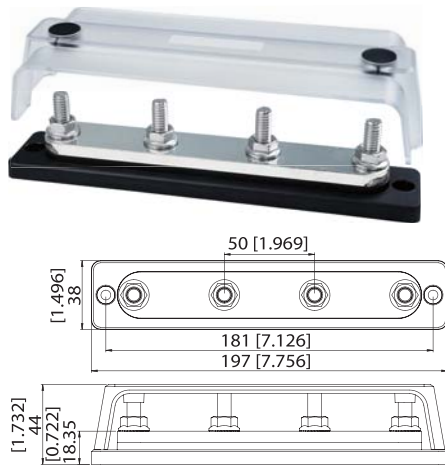
BF476 / BF476C (with cover)



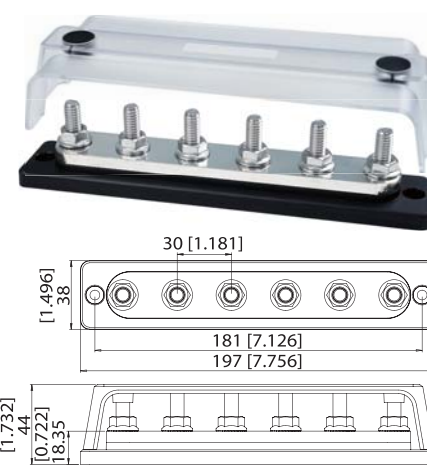
MaxiPower Bus Bar (250A)

Heavy Duty copper bus bars carry current up to 250A

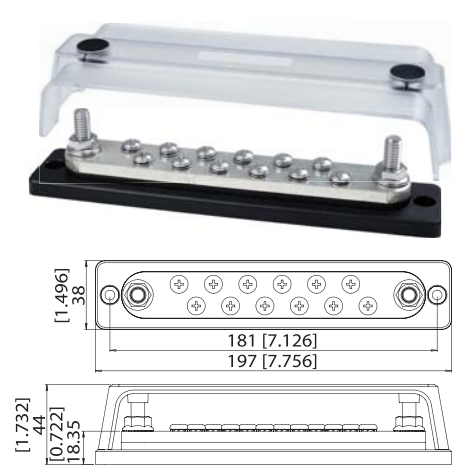
BF478 / BF478C (with Cover)



BF479 / BF479C (with Cover)



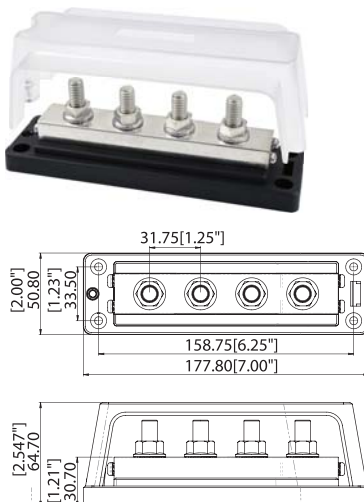
BF480 / BF480C (with Cover)



Ultra Power Bus Bar (600A)

Bus bars with very large current up to 600A

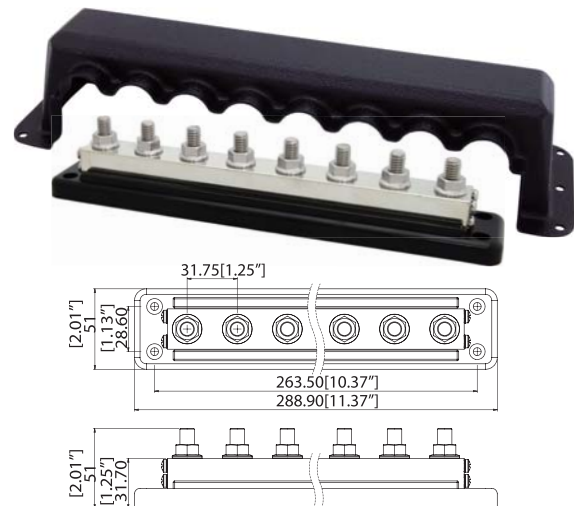
BF481 / BF481C (with Cover) **New**



New Hybrid Locking Mechanism



BF482 / BF482C (with Cover)



Marine Grade Bus Bars (Metric Threading)



- Metric threading screws and studs
- Glass fiber reinforced Nylon base ensures great mechanical strength and durability
- Optional transparent insulating cover with recessed area for label stickers
- Tin-plated copper bus allowing current up to 150A
- Stainless steel studs and screws provide great anti-corrosion ability on board
- Insulated base ensures no leakage to metal hulls

Upgrades from old models

Transparent cover for all models



Insulated base ensures no leakage to metal hulls



New compact base for single bus bars



Bus height differentials allow cable output from the same side (BF427)



Single Bus Bars

Compact size bus bars with ample 150A capacity

BF421-6P / BF425-6P

BF421C-6P / BF425C-6P (with cover)



BF421-12P / BF425-12P

BF421C-12P / BF425C-12P (with cover)



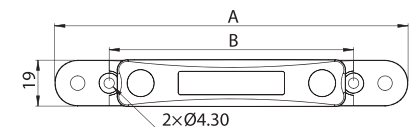
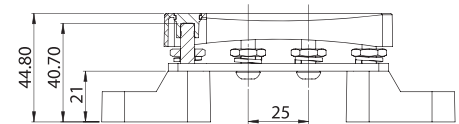
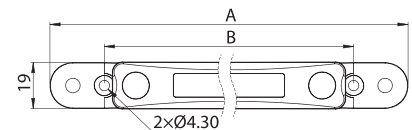
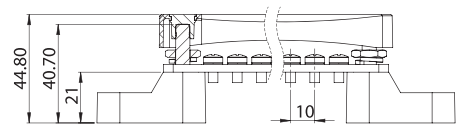
BF423-4P

BF423C-4P (with cover)



BF423-6P

BF423C-6P (with cover)



Product ID	Studs	Screws	A. Length (mm)	B. Mounting Centers (mm)	Rating	Bus Material
BF421-6P	2 x M6 (1/4")	6 x M4 (5/32")	146	101	100A	Brass
BF421-12P	2 x M6 (1/4")	12 x M4 (5/32")	206	161	100A	Brass
BF425-6P	2 x M6 (1/4")	6 x M4 (5/32")	146	101	150A	Copper
BF425-12P	2 x M6 (1/4")	12 x M4 (5/32")	206	161	150A	Copper
BF423-4P	4 x M6 (1/4")	-	146	101	100A	Brass
BF423-6P	6 x M6 (1/4")	-	206	161	100A	Brass



Common Bus Bars

Standard common bus bars with 10 or 22 terminals

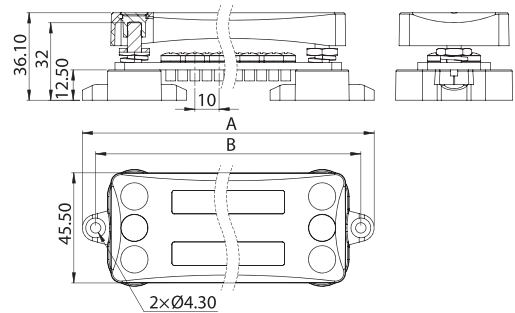
BF424-10P

BF424C-10P (with cover)



BF424-22P

BF424C-22P (with cover)



Product ID	Studs	Screws	A. Length (mm)	B. Mounting Centers (mm)	Rating
BF424-10P	2 x M6 (1/4")	10 x M4 (5/32")	118	107	150A
BF424-22P	2 x M6 (1/4")	22 x M4 (5/32")	178	167	150A

Dual Bus Bars

Dual bus bars with removable connecting link

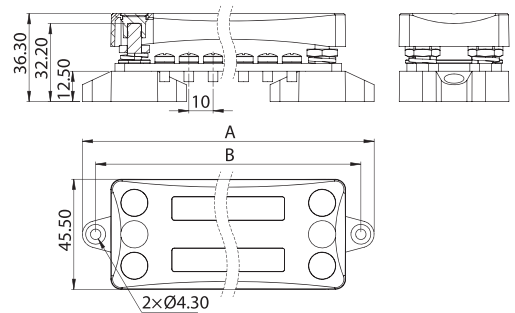
BF422-6P / BF426-6P

BF422C-6P / BF426C-6P (with cover)



BF422-12P / BF426-12P

BF422C-12P / BF426C-12P (with cover)



Product ID	Studs	Screws	A. Length (mm)	B. Mounting Centers (mm)	Rating per bus	Bus Material
BF422-6P	Dual 2 x M6 (1/4")	Dual 6 x M4 (5/32")	118	107	100A	Brass
BF422-12P	Dual 2 x M6 (1/4")	Dual 12 x M4 (5/32")	178	167	100A	Brass
BF426-6P	Dual 2 x M6 (1/4")	Dual 6 x M4 (5/32")	118	107	150A	Copper
BF426-12P	Dual 2 x M6 (1/4")	Dual 12 x M4 (5/32")	178	167	150A	Copper

"2-Steps" Dual Bus Bar

Bus bars with different heights allowing more flexible wiring

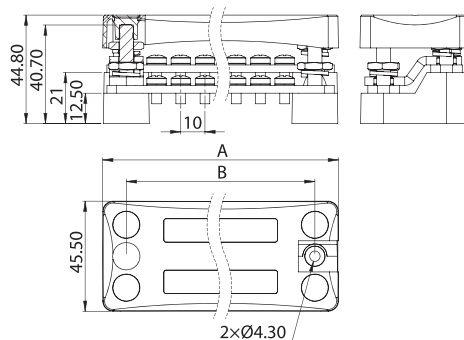
BF427-6P

BF427C-6P (with cover)



BF427-12P

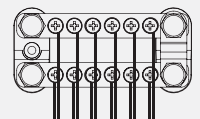
BF427C-12P (with cover)



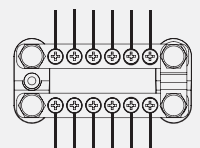
Product ID	Studs	Screws	A. Length (mm)	B. Mounting Centers (mm)	Rating per Bus
BF427-6P	Dual 2 x M6 (1/4")	Dual 6 x M4 (5/32")	94	75	150A
BF427-12P	Dual 2 x M6 (1/4")	Dual 12 x M4 (5/32")	154	135	150A

Wire Output Options:

Single side



Double Side

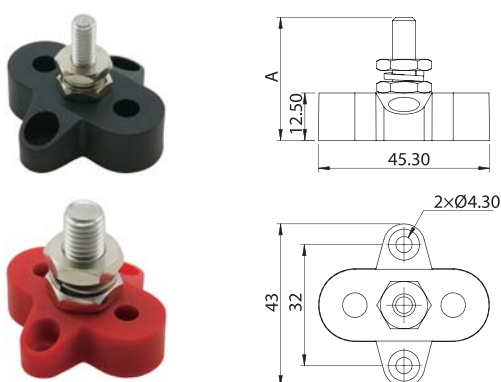


Heavy-Duty Terminal Studs

- Allow terminating of heavy-duty cables for one or more connections
- Red or Black colors allowing easy and clear color coding for wiring
- Glass Fiber reinforced Nylon base ensures great mechanical strength and durability
- Heavy duty terminal studs (up to M10)
- Insulated base ensures no leakage to metal hulls (New Feature)

Single Terminal Studs

BF411



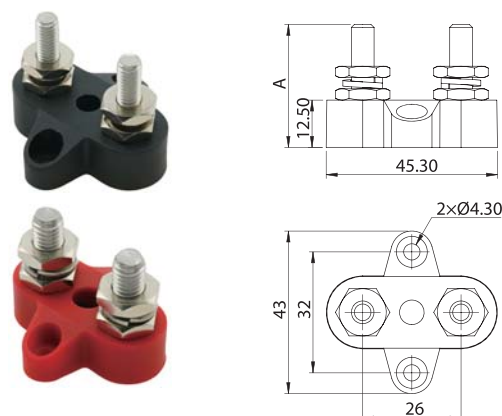
Product ID	Stud Size	A. Height (mm)
BF411-M6 / BF411R-M6	2 x M6 (1/4")	32.5
BF411-M8 / BF411R-M8	2 x M8 (5/16")	32.5
BF411-M10 / BF411R-M10	2 x M10 (3/8")	37.5

Specifications

- Max Operating Voltage | DC 48V
- Max Amp per circuit | Determined by wires connected
- Terminal Stud Size | See each model

Dual Terminal Studs

BF412

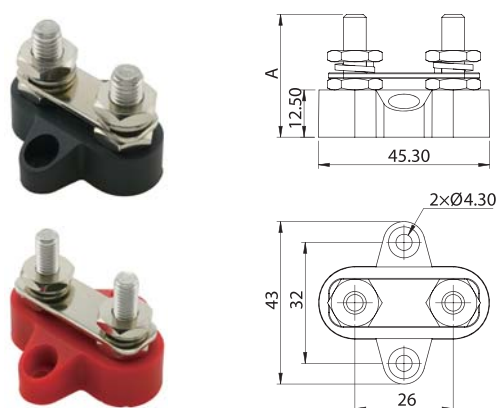


- Dual Terminal Studs with options of different studs sizes

Product ID	Stud Size	A. Height (mm)
BF412-M6 / BF412R-M6	2 x M6 (1/4")	32.5
BF412-M8 / BF412R-M8	2 x M8 (5/16")	32.5

Dual Terminal Studs with Connecting Link

BF413

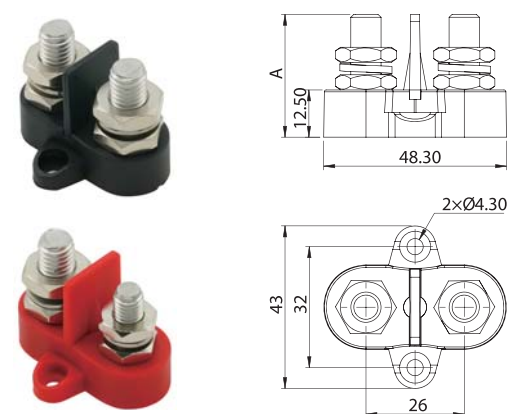


- Dual Terminal Studs with options of different studs sizes
- Removable Connecting Link withstands current up to 80A

Product ID	Stud Size	A. Height (mm)
BF413-M6 / BF413R-M6	2 x M6 (1/4")	32.5
BF413-M8 / BF413R-M8	2 x M8 (5/16")	32.5

Dual Terminal Studs with Isolating Plate

BF414



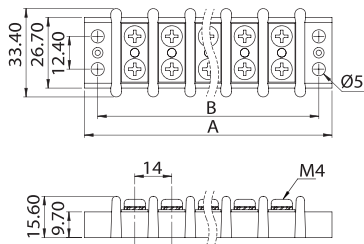
- Dual Terminal Studs with options of different studs sizes
- Removable isolating plate

Product ID	Stud Size	A. Height (mm)
BF414-M8 / BF414R-M8	2 x M8 (5/16")	32.5
BF414-M10 / BF414R-M10	2 x M10 (3/8")	37.5
BF414-M8M10 / BF414R-M8M10	1 x M8 (5/16") + 1 x M10 (3/8")	37.5

Terminal Blocks

Independent Source Terminal Blocks 30A

BF401-XXP



BF-JP-3
Jumpers for BF401

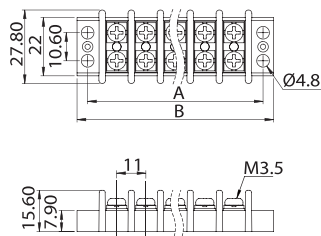


- Maximum Voltage | 300V AC/DC
- Continuous Rating | 30A
- Base Material | UL 94 V0, Nylon
- Bus Material | Nickel-Plated Brass
- Mounting Screw | M5 (#10)
- Screw Material | Stainless Steel
- Terminal Screws | M4 with exterior gear Washer

Product ID	Circuits	A. Length(mm)	B. Mounting Centers(mm)
BF401-2P	2	52	42
BF401-4P	4	80	70
BF401-6P	6	108	98
BF401-8P	8	136	126
BF401-10P	10	164	154
BF401-12P	12	192	182

Independent Source Terminal Blocks 20A

BF402-XXP



BF-JP-4
Jumpers for BF402



- Maximum Voltage | 300V AC/DC
- Continuous Rating | 20A
- Base Material | UL 94 V0, Nylon
- Bus Material | Nickel-Plated Brass
- Mounting Screw | M3.5 (#6)
- Screw Material | Steel / Nickel Plated
- Terminal Screws | M3.5
- Wire Terminal Size | M3 (#6)

Product ID	Circuits	A. Length(mm)	B. Mounting Centers(mm)
BF402-2P	2	41	33
BF402-4P	4	63	55
BF402-6P	6	85	77
BF402-8P	8	107	99
BF402-10P	10	129	121
BF402-12P	12	151	143