



# 12 / 24V Accessories

## Power Plugs and Sockets

- Cigarette Lighter Plugs
- Cigarette Lighter Sockets
- Other Plugs & Sockets

## 12V-24V Accessories

- Battery Gauges
- Marine Grade USB Charger Sockets
- The 1-1/8" Sockets and Accessories Family
- CurvMount Handle Bar Mount Sockets
- CurvMount Surface Mount Sockets
- Flush Mount Panel for 1-1/8" Sockets

## Automotive Electrical Accessories

- Car Battery Clips Accessories

# Cigarette Lighter Plugs

## Normal Cigarette Lighter Plugs

with AGC/JMC Fuses



### Bakelite Cigarette Lighter Plug with Fuse AP101



- Replaceable AGC/JMC Fuses
- Heat-resistant Bakelite body
- Heavy-duty (20A) model available
- Designed for Size A (φ21.0mm) Sockets
- Amp Rating : Standard Model: 5A / Enhanced Model: 20A
- CE

### Illuminated Cigarette Lighter Plug with Fuse AP109



- Replaceable AGC/JMC Fuses
- Illuminated shielding
- Heavy-duty (20A) model available
- Designed for both Size A (φ 21.0mm) & Size B (φ22.0mm) Sockets
- Amp Rating : Standard Model: 5A / Enhanced Model: 20A
- CE

### Bakelite Cigarette Lighter Plug with Fuse AP110



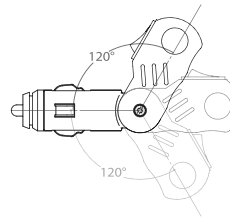
- Replaceable AGC/JMC Fuses
- Heat-resistant Bakelite body
- Heavy-duty (20A) model available
- Designed for both Size A (φ 21.0mm) & Size B (φ22.0mm) Sockets
- Amp Rating : Standard Model: 5A / Enhanced Model: 20A
- CE

### Cigarette Lighter Plug with Fuse AP113



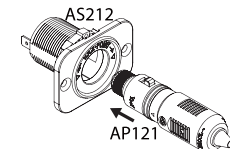
- Replaceable AGC Fuses
- Designed for both Size A (φ 21.0mm) & Size B (φ22.0mm) Sockets
- Amp Rating : 10A
- CE

### Bendable Car Cigarette Plug with Switch and Fuse AP120

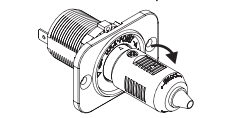


- Replaceable AGC/JMC Fuses
- Bendable with multiple angle positions ( $\pm 60^\circ$ )
- Built-in On-Off Switch
- LED power indicator
- Latching collar that latches onto retainers in cigarette lighter sockets
- Designed for both Size A (φ 21.0mm) & Size B (φ22.0mm) Sockets
- Amp Rating : 10A
- Patented : TW No. P-053789
- CE

### Marine Grade Locking Cigarette Lighter Plug with Fuse AP121A (with LED) / AP121B (without LED)



① Insert AP121 with the negative terminal on the top



② Twist AP121 by 90° until locked. Twist again to unlock

- Replaceable AGC Fuses
- Sturdy, solid design and assembly
- Flame retardant Nylon (glass fiber reinforced) body
- Twist-and-Lock capability when used with AS212
- Rubber ring for better stability and sealing when plugged
- LED power indicator (AP121A only)
- Designed for both Size A (φ 21.0mm) & Size B (φ22.0mm) Sockets
- Amp Rating : Standard Model: 5A / Enhanced Model: 20A
- CE

### Deluxe Cigarette Lighter Plug with LED (Fused) AP112A (with LED) / AP112B (without LED)



- Replaceable AGC/JMC Fuses
- Sturdy, solid design and assembly
- Robust Nylon (glass fiber reinforced) body
- LED power indicator (AP112A only)
- Designed for both Size A (φ 21.0mm) & Size B (φ22.0mm) Sockets
- Amp Rating : Standard Model: 5A / Enhanced Model: 20A
- CE

## Deluxe Cigarette Lighter Plug with LED (Fused)

AP111A (with LED) / AP111B (without LED)

Best Seller



- Replaceable AGC/JMC Fuses
- Sturdy, solid design and assembly
- LED power indicator (AP111A only)
- Heavy-duty (20A) model available
- Best Seller
- Designed for both Size A (φ21.0mm) & Size B (φ22.0mm) Sockets
- Amp Rating : See below
- CE

### Coding Guide for AP111 Customizations:

As our No.1 seller in AP series, AP111 can be customized to meet every customer's requirement, please use the following table to pick one AP111 that fits your requirement most :

AP111□ - □ - □□A  
(1) (2) (3)

(1) LED indicator	(2) Body Material	(3) Amp Rating
A with LED	A ABS	- 5 Amps
B without LED	N Nylon, Glass Fiber reinforced	10A 10 Amps
	P PBT, Glass Fiber reinforced (UL94V-0)	15A 15 Amps 20A 20 Amps

Best Selling Models				
Product ID	Body Material	Terminals Finish	Amp Rating	Note
AP111A-A	ABS	Nickel plated	5A	Standard Model with LED
AP111B-A	ABS	Nickel plated	5A	Standard Model without LED
AP111A-N-10A	Nylon, Glass Fiber reinforced	Nickel plated	10A	Robust body material with LED
AP111A-N-20A	Nylon, Glass Fiber reinforced	Gold plated	20A	Heavy-duty (20A) model with LED
AP111A-P-20A	PBT, Glass Fiber reinforced (UL94V-0)	Gold plated	20A	Heavy-duty 20A with UL94V-0 flame retardant body material and LED



AP111B

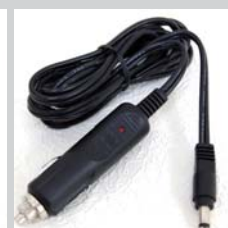


AP111A-N-20A

Pre-wired AP111\*



AP111A-2S1-12FT



AP111A-1P3-18#-6FT

\* AP111 can also be sold pre-wired, see page 54 for available options

with GMA Fuses

### Mini Size Cigarette Lighter Plug with Fuse

AP102



- Replaceable GMA Fuse
- Compact size
- Designed for both Size A (φ 21.0mm) & Size B (φ22.0mm) Sockets
- Amp Rating : 10A
- CE

### Mini Size Cigarette Lighter Plug to DC Jack Adapter

AP105



- Replaceable GMA Fuse
- Output : DC Jack 3.5 x 1.3mm
- Compact size
- Designed for Size A (φ21.0mm) Sockets
- Amp Rating : 5A
- CE

### Cigarette Lighter Plug with Fuse

AP119



- Replaceable GMA Fuses
- Heat-resistant Bakelite head
- Designed for both Size A (φ 21.0mm) & Size B (φ22.0mm) Sockets
- Amp Rating: 5A
- CE

### Cigarette Lighter Plug with LED Switch (Fused)

AP130



- Replaceable GMA Fuses
- Illuminated push-button switch
- Wire leads from the side
- Designed for Size A (φ21.0mm) Sockets
- Amp Rating : 3A
- CE

Unfused

### Bakelite Cigarette Lighter Plug

AP103



- Unfused
- Heat-resistant Bakelite body
- Designed for both Size A (φ 21.0mm) & Size B (φ22.0mm) Sockets
- Amp Rating : 10A
- CE

### Cigarette Lighter Plug

AP108



- Unfused
- Heat-resistant Bakelite head
- Designed for both Size A (φ 21.0mm) & Size B (φ22.0mm) Sockets
- Amp Rating : 10A
- CE

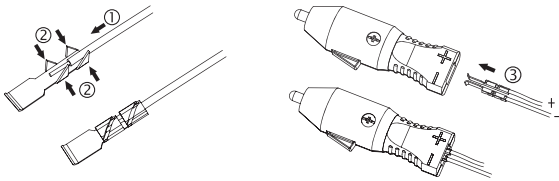
### Cigarette Lighter Plug with Quick Insert-and-Lock Terminals

AP106



- Unfused
- "Insert-and-Lock" terminals allowing quick wire assembly (as illustrated)
- Designed for Size A (φ21.0mm) Sockets
- Amp Rating : 10A
- CE

Assembly Illustration of Quick Terminals :



## Cigarette Lighter Socket Splitters

### Three Way Cigarette Lighter Sockets Splitter with Fuse

AP116



- 1 x Cig. Lighter Socket with retainer and 2 x DC Outlets
- 3 feet extension cord
- LED power indicator
- Replaceable AGC/JMC Fuses
- Plug designed for both Size A (φ21.0mm) & Size B (φ 22.0mm) Sockets
- Wall-mount fixing panel included
- Amp Rating : 10A
- CE

### Dual Port Cigarette Lighter Sockets Splitter with Fuse

AP117



- Replaceable AGC Fuses
- 1 to 2 Cigarette Socket Adapter
- LED power indicator
- Plug designed for both Size A (φ21.0mm) & Size B (φ 22.0mm) Sockets
- Amp Rating : 10A
- CE

### Three Way Cigarette Lighter Sockets Splitter (Unfused)

AP118



- 1 x Cig. Lighter Socket and 2 x DC Outlets
- 3 feet extension cord
- LED power indicator
- Plug designed for both Size A (φ21.0mm) & Size B (φ 22.0mm) Sockets
- Wall-mount fixing panel included
- Amp Rating : 10A
- CE

## Specialty Cigarette Lighter Plugs

### Cigarette Lighter Plug Transformer (12V to 8V / 9V)

AP104A (DC 12V to 8V) / AP104B (DC12V to 9V)



- Replaceable AGC/JMC Fuses
- Converts DC 12V to 8V (AP104A) or DC 12V to 9V (AP104B)
- Output : DC Jack 3.5 x 1.3mm
- Designed for both Size A -(φ 21.0mm) & Size B (φ22.0mm) Sockets
- Amp Rating : 1A
- CE

### Cigarette Lighter USB Charger

AP133



- DC 5V USB Charger
- LED power indicator
- Designed for both Size A (φ21.0mm) & Size B (φ 22.0mm) Sockets
- Amp Rating : AP133-1A : 1A  
AP133-2A : 2A
- CE

## Wiring for AP Series

Most of our AP products can be sold pre-wired, please refer to the following coding table for ordering details:

### Coding Guide for pre-wired AP Cigarette Lighter Plugs

AP111□□ □□ - □□# - □□"

(1) (2) (3) (4)

(1) Cord Types		(2) Lead Process		(3) Wire Gauge		(4) Wire Length	
1	Straight Cord – 2C	C	Cut	□□#	AWG #	□□"	Length in inches
2	Coil Cord (Ribbon)	T	Tinned/Stripped	□□mm	Φ in mm (for cord type 3 & 4 only)	□□cm	Length in cm
3	Round Cord (choose one below)	Q	0.250"Female Quick Connect Terminal			□□'	Length in feet
3A	Double Conductors	P	DC Plug (180°) (choose one below)			□□m	Length in meters
3B	Single Shielded						
4	Coil Cord/ Round (choose one below)	P1	2.1 x 5.5mm				
4A	Double Conductors	P2	2.5 x 5.5mm				
4B	Single Shielded	P3	1.3 x 3.5mm				
5	Electronic Cord (choose one below)	P4	3 x 6.3mm				
5A	UL1015	R	DC Plug (90°) (choose one below)				
5B	UL1007	R1	2.1 x 5.5mm				
6	Internal Hook-up (2 x 0.75mm)	R2	2.5 x 5.5mm				
		R3	1.3 x 3.5mm				
		R4	3 x 6.3mm				
		S	Cigarette Lighter Socket (choose one below)				
		S1	AS201(Assembled)				
		S2	AS208(Molded)				
		J	DC Jack (choose one below)				
		J1	2.1 x 5.5mm				
		J2	2.5 x 5.5mm				

#### Cord Types



Straight Cord – 2C



Coil Cord



Round Cord



Coil Cord/ Round



Electronic Cord



Internal Hook-up

#### Lead Process



Cut



Tinned/Stripped



0.250"Female  
Quick Connect  
Terminal



DC Plug (180°)



DC Plug (90°)



AS201



AS208

Cigarette Lighter Sockets



DC Jack

# Cigarette Lighter Sockets

## Normal Cigarette Lighter Sockets

### Panel Mount Cigarette Lighter Socket and Retainer

AS202



- Metal case withstands high temperature
- Ceramic base with retaining spring
- Various customization options available (see below)
- Panel mount (screw type)
- Amp Rating : 20A

### Coding Guide for AS202 with Accessories

AS202 comes with a variety of terminal configurations and accessories, please use the following table to pick one AS202 that fits your requirement most:

AS202□ - □ - □□  
(1) (2) (3) (4)

#### (1) Terminals

- B Bullet Terminal (Φ=4mm)
- R Screw Nuts for Ring Terminals
- Q Quick Connect Terminal
- S Solder Terminal

#### (2) Mounting Panels

- A Mounting Panel Type A
- B Mounting Panel Type B
- C Mounting Panel Type C
- D Mounting Panel Type D
- E Mounting Panel Type E

#### Terminals



Bullet Terminal (Φ=4)



Screw Nuts for Ring Terminal



0.250" Quick Connect Terminal



Solder Terminal

#### Accessories



AS-RC1  
Cover cap for AS202 and AS204



AS-IR1  
Illumination Ring for AS202

#### Mounting Panels



Type A  
L-shaped



Type B  
Small plate



Type C  
Small plate/half mount



Type D  
Large panel



Type E  
Large panel/half mount

### Panel Mount Cigarette Lighter Socket and Retainer

AS204



- Metal case withstands high temperature
- Ceramic base with retaining spring
- Optional Rubber Cap (AS-RC1) available
- Panel mount (screw type)
- Amp Rating : 20A

### In-Line Cigarette Lighter Socket

AS201



- DC Power Outlet
- In-Line socket with solder terminals
- Optional cover cap available
- Amp Rating : 10A
- For Wire Gauge : #16-#22 AWG

### In-Line Cigarette Lighter Socket

AS208



- DC Power Outlet
- Molded wiring for better sealing
- Amp Rating : 10A
- For Wire Gauge : #18-#22 AWG

### Panel Mount Cigarette Lighter Socket

AS217



- Economical DC Power Outlet
- Push-in panel mounting
- Anti-splash cap
- Bullet Terminal (Φ=4mm)
- Amp Rating : 10A

**Marine Grade Cigarette Lighter Power Socket**  
AS212

Best Seller



- DC Power Outlet
- Panel mount and anti-splash cap available (see below)
- Flame retardant Nylon (glass fiber reinforced) enclosure
- Twist-and-Lock capability when used with AP121 (page 51)
- 0.250" Quick Connect Terminals
- Illuminated bottom plate for easy recognition at night (AS212L only)
- Rating : DC 9-36V 20A

**Coding Guide for AS212 with Accessories**

As our No.1 seller in AS series, AS212 comes with a variety of accessories that meet every customer's requirement, please use the following table to pick one AS212 that fits your requirement most:

AS212□□ - □  
(1) (2) (3)

(1) Bottom Plate	(2) Mounting & Fixing Nuts	(3) Cap Labels
Standard	A Flat Panel Screw Nut	A Type A : Marine 12V
L Illuminated	B Flat Panel Quick Nut	B Type B : 12V
K Half-threaded Body	C L-Shaped Panel Screw Nut	
M Half-threaded & Illuminated	D L-Shaped Panel Quick Nut	
	E - Screw Nut	
	F - Quick Nut	



AS212 with illuminated bottom plate

**Mounting Panels**



**Flat Panel**  
Flat panel for flush mount

**L-shaped panel**  
Mounting Panel for 90° installation

**Fixing Nuts**

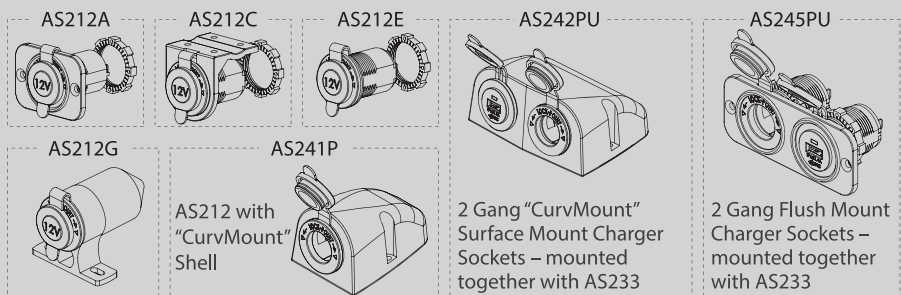


**Screw Nut**

**Quick Nut**  
Fixing AS212 quickly

**Mounting Options**

AS212 can be mounted with several options (flush or surface mount) and accessories. See below for possible options.



\* See page 66 for further information about the AS24X CurvMount Series.

**Surface Mount Marine Grade Cigarette Lighter Socket**  
AS212G



- Surface-mount allowing easy installation on any surface (no hole cut-out needed)
- Equipped with the best-selling AS212
- Pre-wired with 6" #16 AWG wire
- Dust and water-resistant cap
- Surface-mount mounting screws included
- UV stabilized PVC boot for better protection against water and dust from the bottom

**Cigarette Lighter Socket with Panel and Rubber Cap**  
AS215



- Economical DC Power Outlet
- Panel and rubber cap included
- 0.250" Quick Connect Terminals
- Amp Rating : 15A

# Other Plugs & Sockets

## DIN Plugs & Sockets

### Universal DIN / Cigarette Lighter Plug

AP124



- Replaceable GBC Fuses
- Bayonet-catch DIN to Cigarette Lighter Plug adapter
- Designed for both Size A ( $\varnothing$  21.0mm) & Size B ( $\varnothing$ 22.0mm) Cigarette Sockets
- Amp Rating : 16A

### Panel Mount DIN Socket with Anti-splash Cap

AS213



- Robust Nylon (glass fiber reinforced) enclosure
- Anti-splash cap
- Panel mount with fixing screw nuts
- 0.250" Quick Connect Terminals
- Amp Rating : 15A

### In-Line DIN Socket with Anti-splash Cap

AS214



- Flame retardant Nylon (glass fiber reinforced) enclosure
- Anti-splash cap
- 0.250" Quick Connect Terminals
- Amp Rating : 15A

### DIN Plugs & Sockets

DIN sockets, also known as Hella sockets , BMW sockets , Triumph sockets and Powerlet sockets , are connectors that are more suited to motorcycle use for its compact size , robust design and more secure and reliable connection than cigarette lighter sockets .

### 1-1/8" DIN/Merit Socket

AS216



- Standardized 1-1/8" cut-out (see page 64 for mounting accessories)
- Flame retardant Nylon (glass fiber reinforced) enclosure
- Water-proof PVC Cap (IP66)
- Panel mount with fixing screw nuts
- 0.250" Quick Connect Terminals
- Amp Rating : 15A

### Deluxe Panel Mount DIN Socket with Anti-splash Cap

AS210



- Robust, elegant anodized aluminum body
- Spring-loaded dust-proof, anti-splash cap
- Panel mount with fixing screw nuts
- 0.250" Quick Connect Terminals
- Amp Rating : 15A

## Engel Plug & Socket

### 1-1/8" Engel Socket

AS218



Front View

- Standardized 1-1/8" cut-out (see page 64 for mounting accessories)
- Designed for Engel type sockets
- Water-proof PVC Cap (IP66)
- Flame retardant Nylon (glass fiber reinforced) enclosure
- 0.250" Quick Connect Terminal
- LED indication for easy identification at night
- Rating: DC 12V 15A / DC 24V 7.5A

### Engel Plug

AP122



- Securing shroud that screws into Engel Type Sockets
- Easy to assemble solder-free screw-terminals for cable connection
- Rating DC 0-36V 15A



# 12V-24V Accessories

## Battery Gauges

PATENTED  
TW,CH



SP-BGX Series are compact size, self-powered DC battery gauges. The patented see-through uni-body housing leaves no opening in the front, allowing low profile outlook and excellent protection against dust, moisture, and vibration. The series includes a voltmeter, an ammeter and a voltage / current dual meter and are available in either wire output or .250" quick terminals (with suffix "T"). These battery gauges are made for either standard 1-1/8" cut-out with several mounting accessories (see page 64) or for popular Contura style switch mounting holes.



IP67: protection against temporary water immersion



Two Output Options: Wire & Quick Terminals



Patented see-through display design

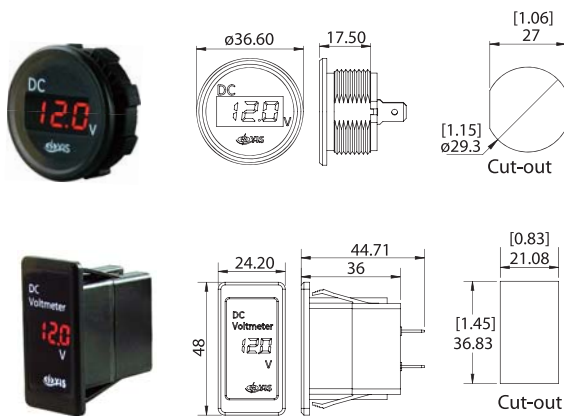


### Digital Voltmeter

SP-BG1 (with wire output) / SP-BG1T (with Quick Connector Terminals)

### Digital Voltmeter – Switch Mount

SP-BG4



## Features

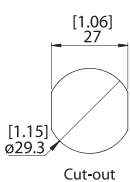
- Compact Size with 3 digits LED display
- Self-powered from measuring DC voltage
- Floating decimal point for better resolution below 10V
- Completely sealed design with no opening (IP67)
- Reversed polarity input protection

## Specifications

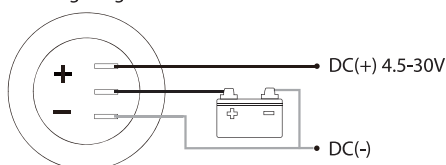
- Voltage Range | DC 2.50-30V
- Current Consumption | <30mA
- Sampling Rate | 5 readings/s
- Resolution | 0.01V (<10V) / 0.1V (>10V)
- Note |  $\text{C}\text{E}$  IP67 Patented

### Digital Voltmeter up to 100V

SP-BG1-100V



#### Wiring Diagram



## Features

- Compact Size with 3 digits LED display
- Measuring large voltage range from 0 - 100V
- Completely sealed design with no opening (IP67)
- Reversed polarity input protection

## Specifications

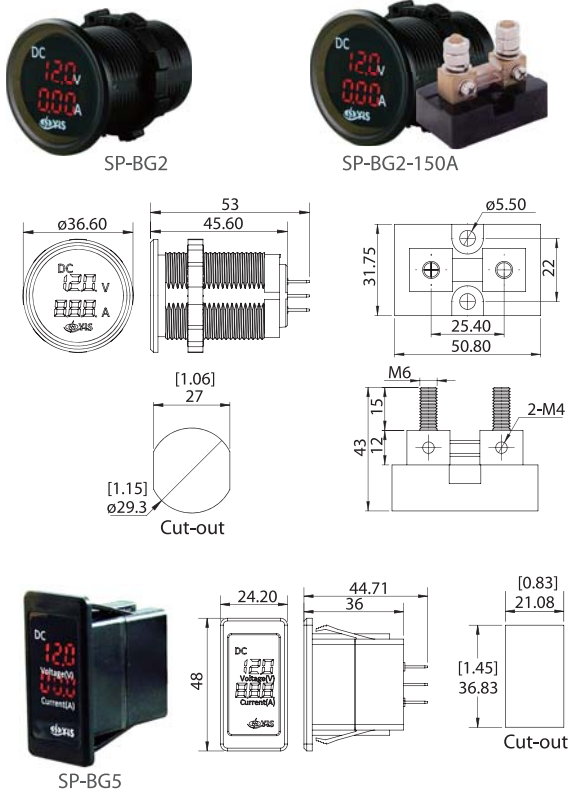
- Measure Voltage Range | DC 0-100V
- Powering Voltage Range | DC 4.5-30V
- Current Consumption | <30mA
- Sampling Rate | 5 readings/s
- Resolution | 0.1V
- Note |  $\text{C}\text{E}$  IP67 Patented

### Digital Voltage & Current Dual-meter

SP-BG2 / SP-BG2-150A

### Digital Voltage & Current Dual-meter – Switch Mount

SP-BG5



### Features

- Compact Voltage & Current 2 in 1 meter
- Digital 3 digits LED displays
- Self-powered from measuring DC voltage
- Floating decimal point for better resolution
- Completely sealed design with no opening (IP67)
- Reversed polarity input protection

#### Additional Features for SP-BG2-150A

- Includes 500 Amp shunt
- Measuring large amperage range from 0 – 150A

### Specifications

#### SP-BG2 / SP-BG5

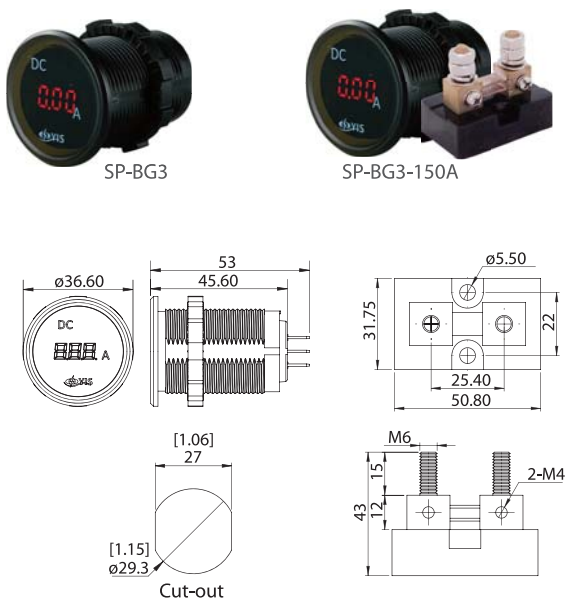
- Voltage Range | DC 4.5-30V
- Amperage Range | DC 0-15A
- Amperage Tolerance | > 10A: ±0.5A, <10A ±0.17A
- Note | **CE** IP67 Patented

#### SP-BG2-150A

- Voltage Range | DC 4.5-30V
- Amperage Range | DC 0-150A
- Amperage Tolerance | ±2%
- Shunt Type | 50mV
- Note | **CE** IP67 Patented

### Digital Ammeter

SP-BG3 / SP-BG3-150A



### Features

- Compact Size with 3 digits LED display
- Self-powered from measuring DC voltage
- Floating decimal point for better resolution
- Completely sealed design with no opening (IP67)

#### Additional Features for SP-BG3-150A

- Includes 500 Amp shunt
- Measuring large amperage range from 0 – 150A

### Specifications

- Voltage Rating | DC 4.5-30V
- Amperage Range | DC 0-15A
- Amperage Tolerance | > 10A: ±0.5A, <10A ±0.17A
- Note | **CE** IP67 Patented

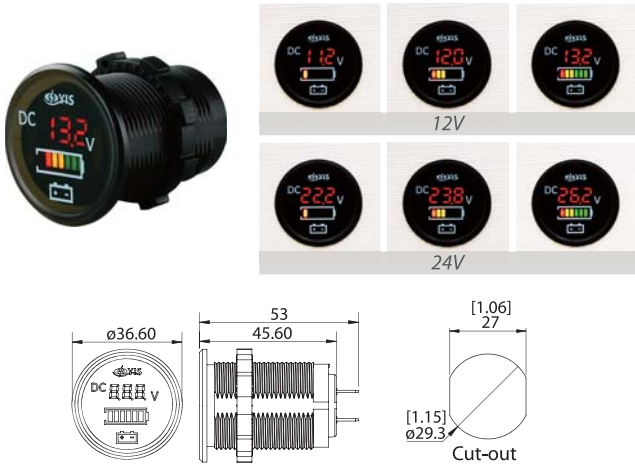
#### SP-BG3-150A

- Voltage Range | DC 4.5-30V
- Amperage Range | DC 0-150A
- Amperage Tolerance | ±2%
- Shunt Type | 50mV
- Note | **CE** IP67 Patented

Watch Intro Video on Youtube



### Digital Voltmeter with Battery Level Display SP-BG6



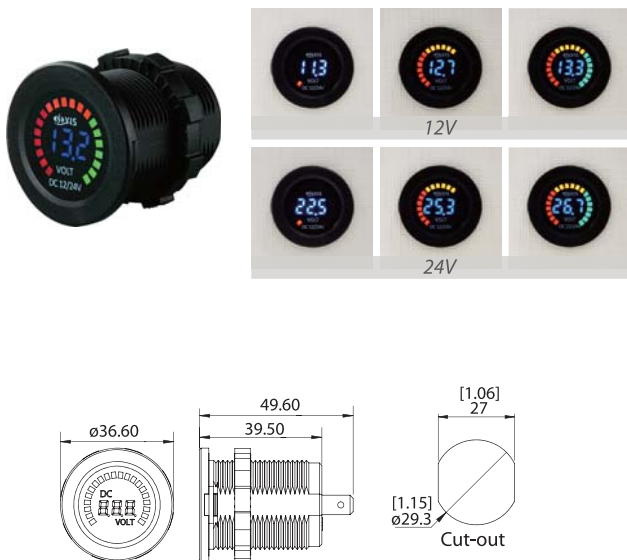
### Features

- Compact Size with 3 digital LED display
- Easily recognizable Battery Status LEDs
- 12 / 24V systems auto detect (compatible to both systems)
- Completely sealed with no opening (IP67)
- Reverse polarity input protection
- Self-powered from measuring DC voltage

### Specifications

- Voltage Rating | 5 – 30V (12/24V Auto Detect)
- Refresh Rate | 100ms
- Note | **CE** IP67 Patented

### Digital Voltmeter with Rainbow Battery Level Display SP-BG7



### Features

- Compact Size with 3 digital LED display
- Easily recognizable Battery Status LEDs
- 12 / 24V systems auto detect (compatible to both systems)
- Reverse polarity input protection
- Self-powered from measuring DC voltage
- Low-voltage alarm when volt is lower than 11V in 12V mode, 22V in 24V mode

### Specifications

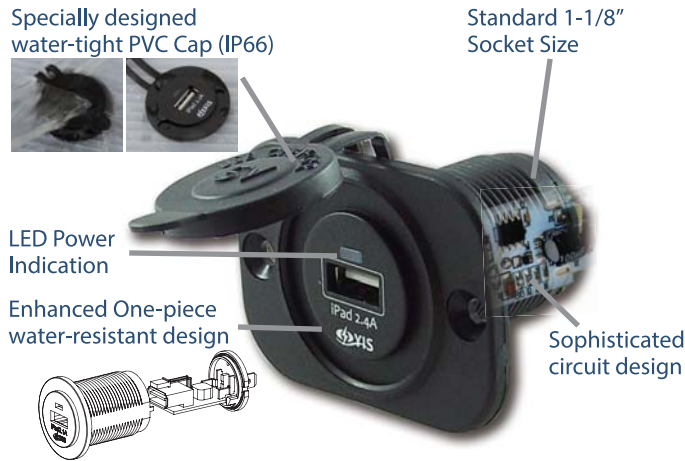
- Voltage Rating | 7 – 30V (12/24V Auto Detect)
- Refresh Rate | 100ms
- Low Voltage Alarm | 11.0V (@12V mode) / 22.0V (@24V mode)
- Note | **CE**

# Marine Grade USB Charger Sockets



New Product Best Seller

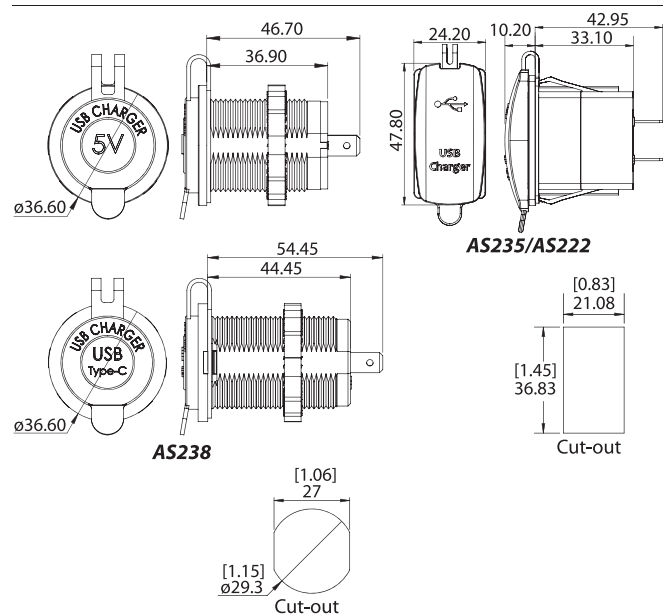
AS23x series are quality-built, powerful and compact USB Charger sockets for marine or RV applications. Built with sophisticated circuit, these chargers not just allow fast full-speed charging to your latest iPhones/iPads, but also protect your devices with features like overheat, reverse-polarity protection, EMC suppression, and more. Thanks to its specially designed PVC cap and unique uni-body design, this series is IP66 rated and is suitable for Marine and other applications.



## Series Features

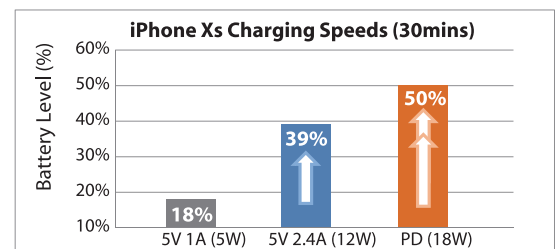
- Input: DC12/24V (Dual Voltage)
- LED Power Indication
- Short circuit / Overheat protection / Reverse polarity protection
- Enhanced uni-body water-resistant design with unique water-tight cap (IP65 for AS237/AS238, IP66 for others - when sealed)
- Standardized 1-1/8" cut-out (See page 64 for accessories)
- Fits in existing C-7 or Contura style switch mounting holes (AS235)
- Flame retardant Nylon (glass fiber reinforced) enclosure
- CE FC

## Product Dimensions



## Charge Compatibility & Fast Charging

As built-in batteries for cellphone become bigger and bigger, charging speed becomes more important for end users. While QC (Quick Charge) protocol has been in the market for years, they are only compatible with Qualcomm based android phones. The newly developed PD (Power Delivery) protocol, however, is compatible with both Android, iPhones, iPads and even laptops, and is deemed as the future of fast charging. PD chargers would typically charge your iPhone or Android phones from 0% to 50% within half hour.



Charging Speed of iPhone Xs by different chargers in 30 mins

## Compatibility chart of Fast-Charging technologies

Protocol	Charger Socket	Compatible with	YIS Charger Model
Apple 2.4A	USB TYPE A	iPhones / iPads / Most Androids	All models except AS237
Quick Charge (QC)	USB TYPE A USB TYPE C	ONLY Qualcomm based Androids	AS237 AS238
Power Delivery (PD) <b>USB PD</b>	USB TYPE C	iPhone 8 / X or later (2017) iPad Air 3 or later Most Androids since 2018	AS237 AS238



## Product Series

### PD (Power Delivery) USB Type-C Chargers

#### AS238 PD 45W USB 1A+1C Charger



- Type A port - 5V 2.4A compatible with most smartphones in market
- Type C port - PD 45W compatible with latest PD devices in market (iPhones/iPads/Android/Nintendo Switch)
- Fast charges your iPhone / Android phones from 0% to 50% within 30 mins
- Also charges ultrabooks, Macbooks & Macbook Air (after 2018) in 20V mode

\* 20V/2.25A mode is only achievable when input > 20V

#### Patented Color Changing Technology (Amber - Fast Charging)



#### AS237



- Powerful 45W (20V/2.25A) PD charging
- Compatible with latest PD devices in market (iPhones/iPads/Android/Nintendo Switch)
- Fast charges your iPhone / Android phones from 0% to 50% within 30 mins
- Also charges ultrabooks, Macbooks & Macbook Air (after 2018) in 20V mode

\* 20V/2.25A mode is only achievable when input > 20V

#### PD 20V Charging Charges Laptops / Ultrabooks



#### AS221 PD 18W 1A+1C Charger



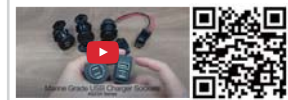
Enhanced Sealing Cap

- Type A port - 5V 2.4A compatible with most smartphones in market
- Type C port - PD 18W compatible with latest PD devices in market (iPhones/iPads/Android/Nintendo Switch)
- Fast charges your iPhone / Android phones from 0% to 50% within 30 mins
- Lower cost alternative to AS238
- Enhanced IP66 water-sealing cap design

#### AS222 Switch Mount PD 18W 1A+1C Charger New



- Operating Voltage : 12V / 24V DC power systems (9 to 30VDC)
- Output :
  - Type A port - 5V 2.4A compatible with most smartphones in market
  - Type C - DC 5V 3A / 9V 2A / 12V 1.5A
  - Type A+C - DC 5V 3A (Max)
- Type C port - PD 18W compatible with latest PD devices in market (iPhones/iPads/Android/Nintendo Switch)
- Fast charges your iPhone / Android phones from 0% to 50% within 30 mins



### Double Port USB Chargers

AS234 / AS234L / AS234LT / AS235



#### AS234-3.1A

- Best Cost-Performance value
- Best-selling item with solid performance and competitive price

#### AS234(L)-4.8A

- Two port 2.4A large current charger
- Charges 2 iPads at full speed at the same time

#### AS234LT-4.8A

- Two port 2.4A large current charger
- Touch button to turn off charger when not in use



#### AS235-4.8A

- Two port 2.4A large current charger
- Charges 2 iPads at full speed

### Single Port USB Chargers

AS233



- Single Port 2.4A USB Charger (12W)
- Fast charges iPad /iPhone and Android devices

AS236



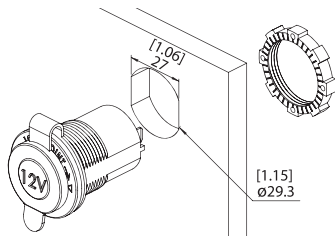
- Snap-in Keystone Charger Socket for Decora Style wallplate (RJ-45 Keystone hole)
- Single Port 2.4A USB Charger (12W)
- Fast charges iPad /iPhone and Android devices



Model#	Sockets	Amp. Rating	Power	Note
AS233	USB (A) x 1	2.4A	12W	-
AS236	USB (A) x 1	2.4A	12W	Designed for Keystone Sockets
AS234-3.1A	USB (A) x 2	2.1A+1A	15W	Newly developed low cost model (2019)
AS234-4.8A AS234L-4.8A	USB (A) x 2	2.4A+2.4A	24W	4.8A large current model
AS235-4.8A	USB (A) x 2	2.4A+2.4A	24W	4.8A large current model
AS221 AS222	USB (A) x 1 USB (C) x 1	(A)5V2.4A (C)5V 3A/9V2A/ 12V 1.5A	18W	Power Delivery (PD) 3.0 <span style="color: red;">New</span> USB-C Also charges ultrabook, Macbook & Macbook Air (after 2018)*
AS237	USB (C) x 1	5V 3A/ 9V 3A/ 12V 3A/ 15V 2.25A/ 20V 2.25A (PD 45W Max.)	45W	Power Delivery (PD) 3.0 Also charges ultrabook, Macbook & Macbook Air (after 2018)*
AS238	USB (A) x 1 USB (C) x 1	(A)5V2.4A (C)5V 3A/9V3A/ 12V 3A/ 15V 2.25A/ 20V 2.25A (PD 45W Max.)	45W	Power Delivery (PD) 3.0 USB-C Also charges ultrabook, Macbook & Macbook Air (after 2018)*

\*Charging ultrabook, Macbook & Macbook Air (after 2018) requires 20V mode, which is only achievable when input > 20V

## The 1-1/8" Sockets and Accessories Family



We all love to add a little bit more gadgets to our boats every now and then. That is why YIS Marine keeps introducing new sockets and accessories with standardized mounting dimension (the 1-1/8" system). All of these accessories come with the same threads and design language, and fit in the same panel cut-out, allowing them to fit each other perfectly when mounted together. See this page for coding and ordering guides

### Product Codes

Product Code	Model #	Name	Product Code	Model #	Name
P	AS212	Marine Grade Power Outlet (See page 56)	G	SP-BG1	Battery Gauge (Voltmeter) (See page 58)
E	AS218	Engel Socket (See 57)	M	SP-BG2	2 in 1 Battery Gauge (See page 59)
D	AS216	Din/Merit Socket (See page 57)	C	SP-BG3	Digital Current Meter (See page 59)
U	AS233	1 Port USB Charger (See page 63)	B	SP-BG6	Battery Level Voltage Meter (See page 60)
V	AS234	High Current 2 Port USB Charger (See page 63)	R	SP-BG7	Digital Voltmeter with Rainbow Battery Level Display (See page 60)
Y	AS237	PD 45W USB Type C Charger (See page 62)	Z	AS238	PD 45W USB 1A+1C Charger (See page 62)

### Mounting Options

Flush Mount	<p><b>Flat Panel:</b> Model # + Suffix "-A" (ex. AS212-A)</p>	<p><b>Socket only:</b> Model # + Suffix "-E" (ex. AS212-E)</p>	<p><b>2 Gang Flat Panel:</b> AS245 + Product Codes (See page 67)</p>	
Surface Mount	<p><b>L-Panel:</b> Model # + Suffix "-C" (ex. AS212-C)</p>	<p><b>Rocket Case:</b> Model # + Suffix "-G" (ex. AS212-G)</p>	<p><b>1 Gang "CurvMount" Case:</b> AS241 + Product Code (See page 66)</p>	<p><b>2 Gang "CurvMount" Case:</b> AS242 + Product Codes (See page 66)</p>
Switch Panels	<p><b>Curved Panel Series</b> SP3320 + Prod. Codes (See page 5)</p>		<p><b>Wave Panel Series</b> SP1220 + Prod. Codes (See page 10)</p>	

## Cigarette Lighter Outlet Extension Box

AS901 2-Way Cigarette Lighter Outlet Box with dual USB & Digital Voltage Meter

AS902 3 Port Cigarette Lighter Outlet Box

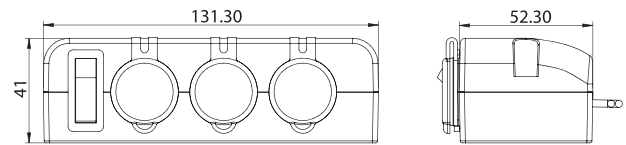
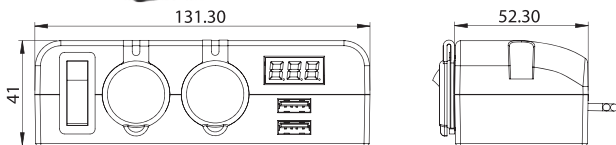
Watch Intro Video on Youtube



AS901



AS902



These cigarette lighter outlet box come with 2 or 3 ways standard cig. outlet. Advanced model AS901 comes also with 2 port USB charger and Voltmeter. Both model come with a convenient illuminated rocker switch style circuit breaker, providing not only 16A protection but also an easy way to control multiple devices at the same time. Suitable for 12V and 24V DC power source. Come with 3 feet of wires with circuit break protection. Mounting accessories included.

## Specifications

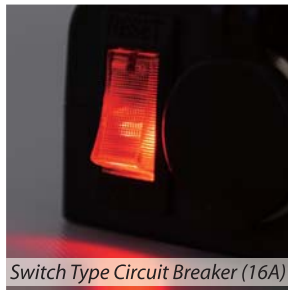
- Rating | DC 12 / 24V 16A
- Cable | 18AWG / Black & Red Wires / Length 3 ft
- Built-in Circuit Breaker Switch (16A)

### USB (AS901)

- Input DC 12/24V
- Output: DC 5V 3.1A Max (2.1A + 1A)

### Digital Voltage Meter (AS901)

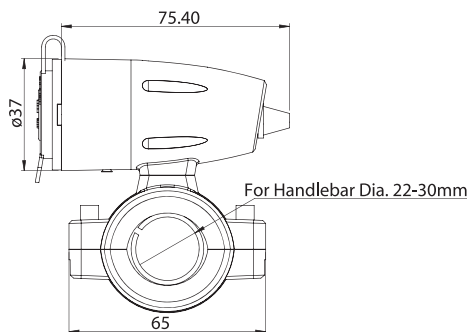
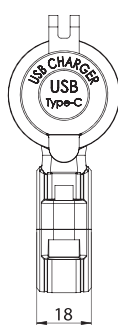
- Voltage Range | DC 2.50~30V
- Current Consumption | <30mA
- Sampling Rate | 5 readings/s
- Resolution | 0.01V (input <10V) / 0.1V (input >10V)



Switch Type Circuit Breaker (16A)

## CurvMount Handle Bar Mount Sockets

AS251



For Handlebar Dia. 22-30mm



## Features

- Suitable for all of our 1-1/8" sockets
- Compatible with most motobike handlebar in the market (diameter: 0.8" -1.18")
- UV-stabilized enclosure material
- Water-tight gasket & water-resistant rubber cap included
- Robust Nylon (glass fiber reinforced) enclosure

Intro Video





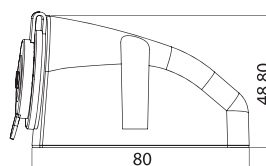
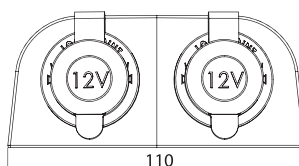
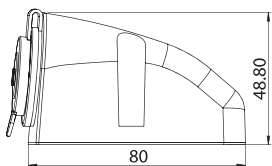
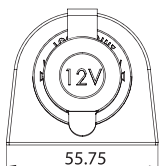
## CurvMount Surface Mount Sockets

AS241

AS241W

AS242

AS242W



The CurvMount cases are fully covered surface mount cases designed for the 1-1/8" socket family. These cases are made of UV-stabilized plastic with water-tight gaskets and water-resistant caps, making them perfect for use with RV, caravans and yachts. They are easy to install and can be mounted vertically, horizontally or even underneath a dash.

### Features

- Surface-mount allowing easy installation on any surface (no hole cut-out needed)
- UV-stabilized enclosure material
- Water-tight gasket & water-resistant rubber cap included
- Robust Nylon (glass fiber reinforced) enclosure

## Popular CurvMount Models

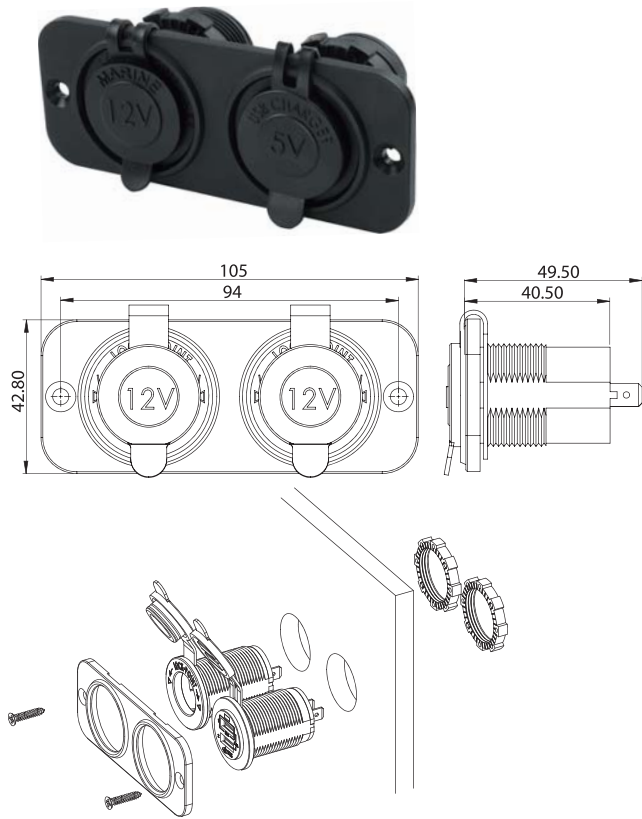
Model	Socket
AS241P	Power Outlet
AS241U	1 Port USB Charger
AS241V	2 Port USB Charger
AS241D	Din/Merit Socket
AS241E	Engel Socket
AS241G	Digital Voltmeter
AS241M	Digital Voltage /Current Dual Meter

Model	Socket
AS242PP	Power Outlet + Power Outlet
AS242PU	Power Outlet + 1 Port USB Charger
AS242PV	Power Outlet + 2 Port USB Charger
AS242PD	Power Outlet + Din/Merit Socket
AS242PE	Power Outlet + Engel Socket
AS242VG	2 Port USB Charger + Digital Voltmeter
AS242XX	Any Socket from 1-1/8" family + Any Socket from 1-1/8" family



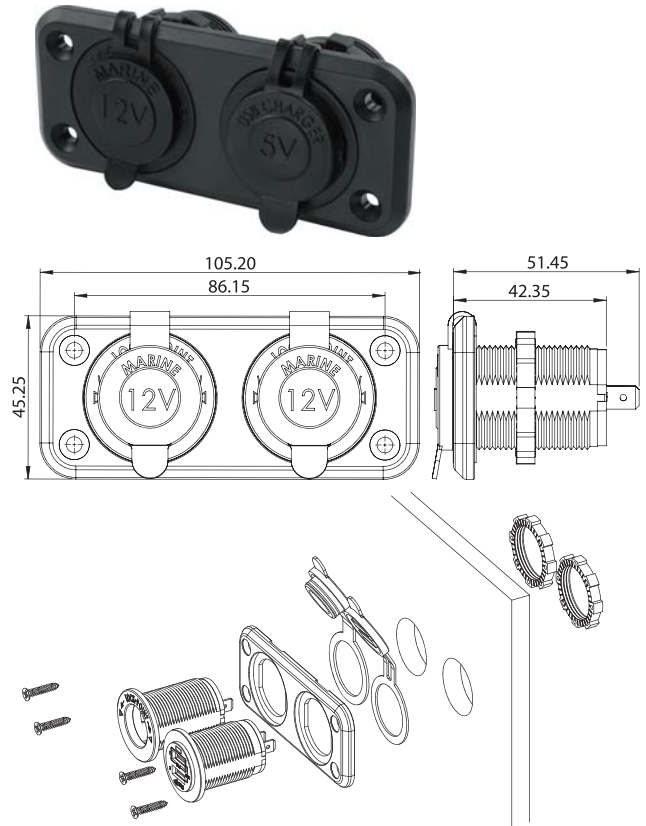
## Flush Mount Panel for 1-1/8" Sockets

AS245



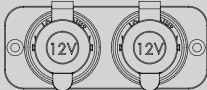


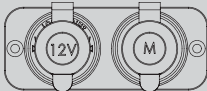
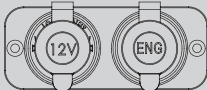

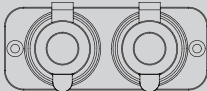
AS245: Decorative Panel mounted in front of sockets

AS246



AS246: Panel mounted in back of sockets

## Flush Mount Models

Model	Socket
AS245PP 	Power Outlet + Power Outlet
AS245PU 	Power Outlet + 1 Port USB Charger
AS245PV 	Power Outlet + 2 Port USB Charger
AS245PD 	Power Outlet + Din/Merit Socket
AS245PE 	Power Outlet + Engel Socket
AS245VG 	2 Port USB Charger + Digital Voltmeter
AS245XX 	Any Socket from 1-1/8" family + Any Socket from 1-1/8" family



## Features

- Flush Mount Panel – available in 1 gang or 2 gang
- UV-stabilized material
- Robust Nylon (glass fiber reinforced) material

Watch Intro Video on Youtube



## Solar Ventilator for Marine, Caravans and Motorhomes SV002

New  
Product



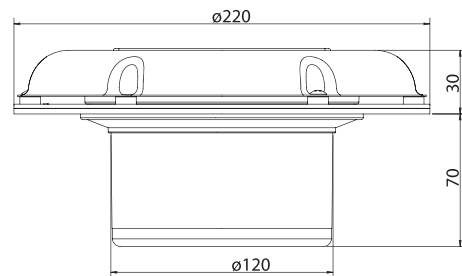
Switching between intake and exhaust ventilation

### Features

- Low profile stainless steel solar vent for boats, caravans and motorhomes
- Fully automatic operation powered by solar energy with a solar panel and rechargeable Li-ion battery
- Built-in Battery - no external power or wiring required
- Switching between intake and exhaust ventilation
- Automatically restarts when sunrise after battery is drained
- Mechanical switch allows booting up automatically after sunrise

### Specifications

- Solar cell capacity | Max. 1.8w / 3V / 600mA
- Fan motor operation voltage | DC 3V
- Battery | NiMH LSD AA, 1.2V, 2400 mAh
- Mounting holes |  $\varnothing 120$  mm



# Automotive Electrical Accessories

## Car Battery Clips Accessories

### Lead Acid Battery Clip with Cable

AE601-10



- Battery clip for lead acid battery
- UL2468 cord (8" bare wire)

### Battery Clamp to Cigarette Lighter Socket (Coil Cord)

AE602-25



- Battery clamps for car batteries
- Coil Cord: 0.12/30, 12 feet
- In-line cigarette lighter socket

### Lead Acid Battery Clip with Coaxial DC Power Plug

AE601-13



- Battery clip for lead acid battery
- UL2468 cord (8")
- In-line Molded DC Plug
  - Type A: ID 2.1mm OD 5.5mm
  - Type B: ID 2.5mm OD 5.5mm

### Customized battery clips accessories

AE60X



- Customizable wire and end processes (See p.9 for wiring options)
- You choice of battery clips or clamps (see below)

### Lead Acid Battery Clip with Cigarette Lighter Socket

AE601-15



- Battery clip for lead acid battery
- UL2468 cord (8")
- In-line cigarette lighter socket

### Universal Dry Cell Battery Tester

AE603



- Easy to use, portable battery tester
- Universal tester for dry cells(D, C, AA, AAA), 9V (Transistor) batteries, and button cells
- Voltage Range: 0-2V (for dry cells & button cells) / 0-9V (for 9V batteries)

### Battery Clamp to Cigarette Lighter Socket (Straight Cord)

AE602-15



- Battery clamps for car batteries
- Cable Spec: SPT-1, 18AWG, 1 feet
- In-line cigarette lighter socket

### Available Battery Clips / Clamps:

<p><u>DC308</u></p> <p>20A / 65mm</p>	<p><u>DC309</u></p> <p>10A / 53mm</p>	<p><u>DC310</u></p> <p>30A / 75mm</p>
<p><u>DC312</u></p> <p>30A / 75mm</p>	<p><u>DC313</u></p> <p>15A / 51mm</p>	<p><u>DC314</u></p> <p>30A / 70mm</p>