



LED Lights for Boats

YIS Marine LED Lights for Boats

WaveLED Marine LED Lights Series

WaveLED Reading Light Series

Marine LED Courtesy Lights

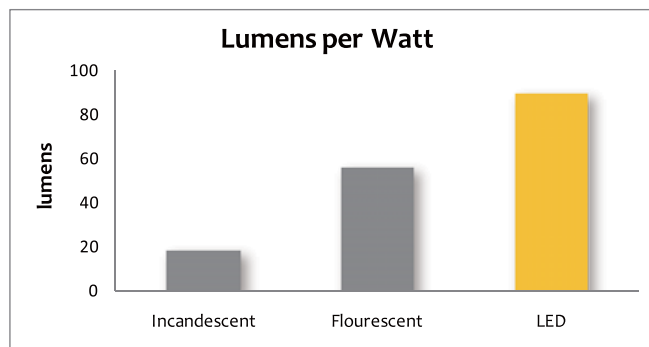
YIS Marine LED Lights for Boats

Next Generation of Marine Lighting

LED is the next generation of lighting. With its lower power consumption, vibration-proof and better durability comparing to traditional halogen lights, the LED lights are an ideal solution on the board. The performance of LED lights, however, is based heavily on their electronic circuit design, which is very different from traditional luminaire using incandescent lights. With more than 20 years of expertise in automotive electronics designing and manufacturing, YIS Marine is able to provide high performance LED light products with competitive costs.

Low Power Consumption

Low power consumption means longer cruising time on the sea. As of 2015, the latest LED technology can generate around 80-100 lumens per watt, while the traditional incandescent lights generate less than 20 lumens per watt. In fact, EU has banned use of incandescent lights since 2012, and planned to ban the halogen lights due to their low lighting efficiency.



Life & Durability



Typically LED's has a lifespan for about 20,000 – 50,000 hours, more than 20 times of that of an incandescent light. LED also has no filaments to break, and thus are very vibration proof. Most of YIS Marine lights are built in one part without replaceable lamps, and some outdoor models are fully sealed to ensure great durability against moisture and shocks.

Electronic Circuit Design



Electrical systems on the boats are very complex and sophisticated systems. DC power supply on board can vary from 10 – 15V under different circumstances (for a 12V system). That's why almost all of our LED lights come with Constant-Current technology that keeps the LED output stable despite the input voltage variation. As radio communication is crucial on the boats, all of our LED lights also have EMI suppression design and approved by the EU standards **CE**.

Cost

The cost of LED has been dropping consistently each year. This, combining with its steady growth in lighting efficiency, makes LED lights become more and more suitable to replace traditional incandescent lights used on the boat. YIS Marine re-design LED lights on board by removing or modifying parts that were necessary for halogen lights but no longer needed for LED lights. By designing lights exclusively for the LED technology, we are able to build cost-effective LED lights with much better performance than traditional halogen lights.

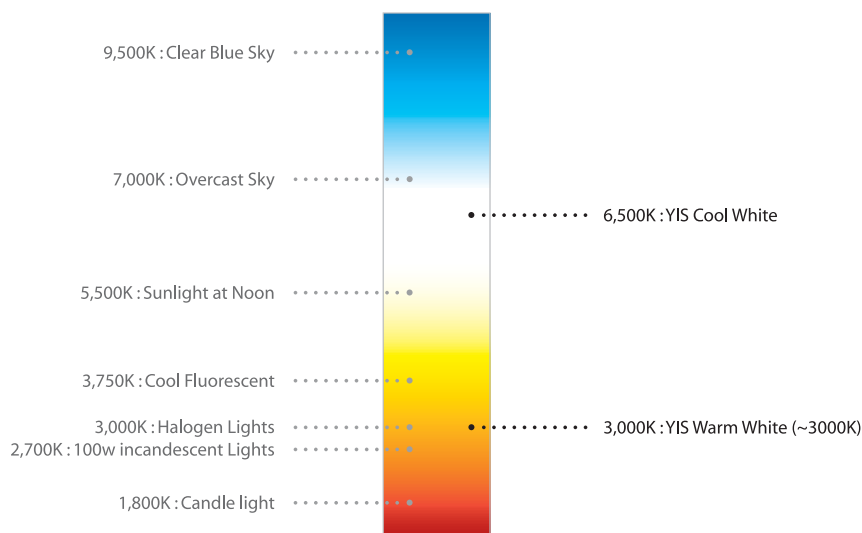
LED Terminologies

LED is the next generation of lighting. With its lower power consumption, no heat radiation and better durability comparing to traditional halogen lights, the LED lights are an ideal solution on the board. Here is some of the important terminologies of LED lights:

Color Temperature (Unit: K (Kelvin))

Color temperature is conventionally stated in Kelvin (K), the unit of absolute temperature. The color temperature is the temperature that makes an ideal black body radiator radiate comparable hue as the light source.

Usually, color temperatures over 5,200K are called cool colors, color temperature below 3500K are called warm colors.



Luminous Flux (Unit: lm(lumens))

The total amount of light emitted from a lamp. The higher lumen is, the more intense the light output. Luminous Flux does not vary with distances.

Illuminance (Unit: Lux)

Illuminance is the total luminous flux falling on a surface. It shows the intensity of the incident light. Mathematically,

$$\text{Illuminance (Lux)} = \text{Lumens (lm)} / \text{area(m}^2\text{)}$$

where area is the illuminated area of the light source. The farther the surface are away from the source, the larger the area would be, and hence the smaller illuminance, while the Luminous Flux remains the same.

Example:

If a light fixture with 100 lumens lights up an area of 1 square meter, the Illuminance would be 100 lux. If, however, the same fixture lights up 10 square meters (at a farther place), the illuminance would be reduced to only 10 lux.

Types of LEDs

SMD LEDs (Surface Mounted Devices)



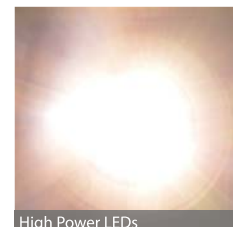
SMD LEDs are bright and economical LEDs that are mounted on PC Boards and hence are easy for mass production. With the SMD LED becoming brighter and brighter, they have become mainstream of marine lights.



High Power LEDs



High power LEDs use from 1 watts to as much as 500 watts in a single package and thus has the ability to provide unparalleled brightness within limited area comparing to SMD LEDs. The heat dissipation issue is an important factor in designing High-Power LED lights. YIS Marine utilizes all-aluminum LED holders/enclosures for our High Power LED product lines.



WaveLED Marine LED Lights Series



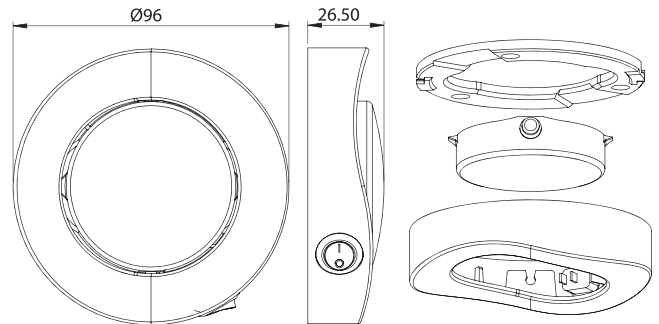
Unique Marine Wave-shaped LED Lights from YIS

WaveLED Ceiling Light

LC004W

WaveLED Ceiling Light - Dual Color

LC004WB / LC004WR



Features

- Unique wave shape enclosure design
- Easy-to-install bayonet latch design
- Matte surface allows soft and smooth light output
- Completely sealed LED Module
- Built-in ON-OFF switch
- Adjustable light angle
- Constant-Current technology design ideal for marine lighting
- DC 12V-24V dual voltage rating
- 2 different enclosure colors available

Additional Features for LC004WB/LC004WR

- White/Blue or White/Red dual light color
- Cost-effective built-in ON-OFF-ON switch

Specifications

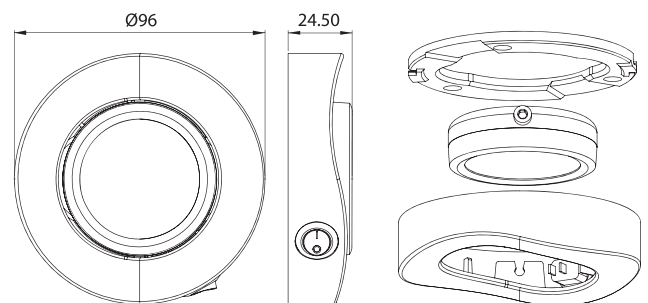
- Lighting Source | SMD LED x 6 (120lm)
- Color Temperature | 2900-3200K (Warm White)
- Voltage Rating | DC 12-30V
- Power Consumption | 1.5W
- Note | **CE**

Dual Color LC004WB / LC004WR



WaveLED Ceiling Light / Spotlight with High Power LED

LC003-3x1W



Features

- Unique wave shape enclosure design
- Easy-to-install bayonet latch design
- Specially designed optical lens provide bright and focused spot light
- 3 x 1 Watt super bright High Power LED
- Built-in ON-OFF switch
- Adjustable light angle
- DC 12V-24V dual voltage rating

Specifications

- Lighting Source | High Power LED (1W) x 3
- Color Temperature | 3000-3300K (Warm White)
- Voltage Rating | DC 12-30V
- Power Consumption | 3.24W
- Note | **CE**

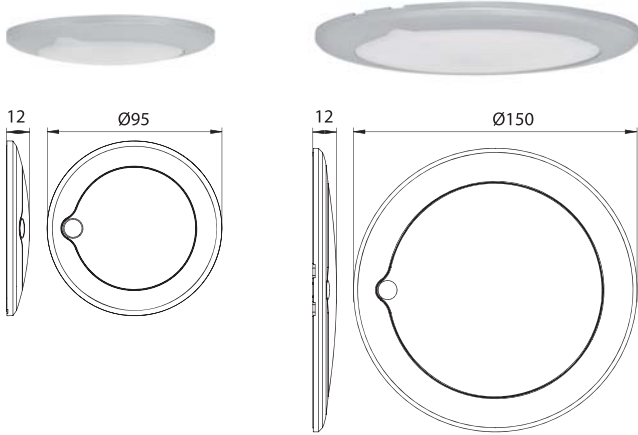
Watch Intro Video on Youtube



DishLED Dimmable Ceiling Light with Touch Button

LC005-95 / LC005-150

LC005T-95 / LC005T-150 (Tri-color) **New**



LC005 are ultra-thin ceiling lights with dimmable function and a low profile touch button. They have the same un-intrusive like outlook as the recessed light fixtures yet are also as easy to install as any other surface mount ceiling lights. It can be turned on/off or dimmed linearly with a simple touch, and the memory function allows it to memorize previous brightness level when turned back on. The cut-off memory feature allows multiple DishLEDs to be controlled centrally by a single switch. The completely sealed design made it perfect for use in marine applications (IP67).

Features

- Ultra-thin surface mount (only 12mm in thickness)
- Low profile touch button
- Linear (non-stop) dimming allowing brightness adjustment to any desirable level (10-100%)
- Memory feature – remembering previous brightness level when turned back on
- Power cut-off memory feature allowing central control of several DishLED lights
- Constant-current technology design ideal for marine lighting
- Completely sealed (IP67) – protected even under temporary water immersion

*Additional Features for LC005T (Tri-color) **New***

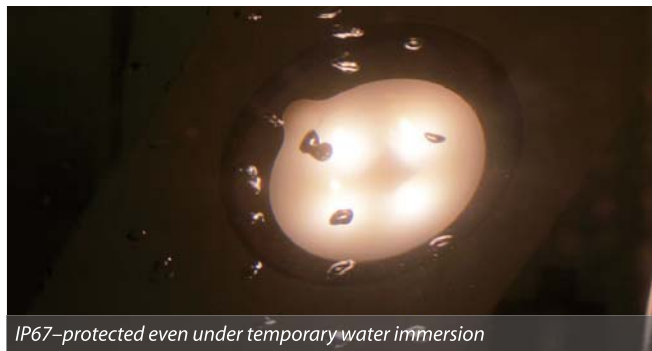
- 3 different color temperatures (3000 to 6500K)



Non-stop linear dimming from 10% to 100%



Cut-off memory feature allows Central control of multiple DishLED lights



IP67-protected even under temporary water immersion

Specifications

- Light Source | Super Bright SMD LED x 4 (200lm)-LC005-95
Super Bright SMD LED x 12 (400lm)-LC005-150
- Color Temperature | 3000 – 3300K (Warm White)
- Voltage Rating | DC 9 – 30V (Multi-volt)
- Power Consumption | 2.4W (LC005-95)
4.5W (LC005-150)
- Note | IP67 **CE**

*LC005T Color Temperature Selectable **New***
(3000K-4000K-6500K)

- Light Source | Super Bright SMD LED x 8 (LC005T-95)
Super Bright SMD LED x 20 (LC005T-150)
- Color Temperature | 3000 - 3300K (Warm White) / 4000 - 5000K (Neutral White) / 6500K (Cold White)
- Voltage Rating | DC 9 – 30V (Multi-volt)
- Power Consumption | 6W (LC005T-150)
- Note | IP67 **CE**



LC005T - 3 color temperature selectable

WaveLED Marine Reading Light Series

Watch Intro Video on Youtube



Cost-effective Reading Lights with Trendy Design



The WaveLED reading light series are modern design, good performance and cost-effective LED reading lights. While High Power LED version provides unparalleled focused light output, the SMD version can provide wider angle and smoother output with much lower cost. There is also a dimmable SMD LED version with touch button. With economical plastic housing, built-in switches, and its easy-to-install feature, this series is ideal for sale in the aftermarket.

Features

- Unique wave shaped base design
- New screw-free easy-to-install bayonet catch design
- Built in switch for easy wiring
- Adjustable light angle
- 3 Versions available: high power LED, cost-effective SMD LED, and dimmable touch button version



3 Versions of WaveLED reading lights



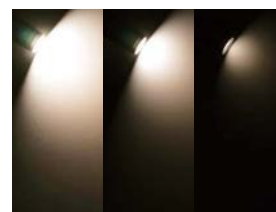
High Power LED with Condenser Lens

High power LED provides unparalleled brightness through the ultra clear condenser lens, the high power LED version can light up as far as 5 meters away, suitable for reading or spotlight applications.



SMD LEDs with matte lens

SMD LED version is a wide angle, lower cost alternative. This version is also more suitable for reading at a closer range.

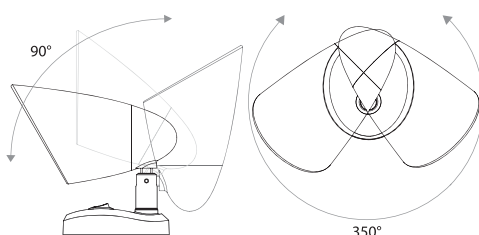
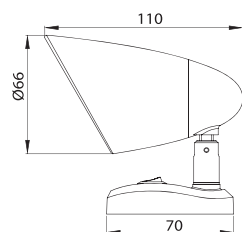


Dimmable SMD LED version with TOUCH button

SMD LED version with additional dimming feature and water-resistant touch button design.

WaveLED Cabin / Reading Light

LR002



Replaceable G4 LED Bulbs for LR002 LR-G4-2W



Features

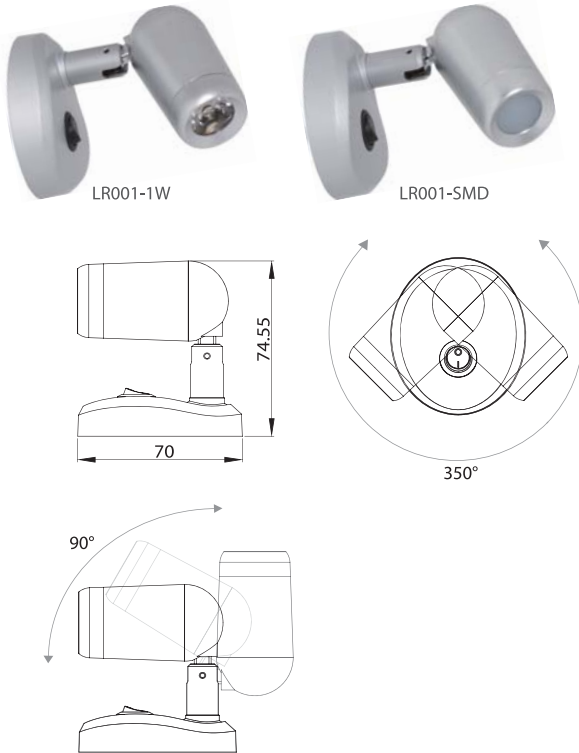
- New screw-free bayonet catch wave base design
- Economical, light weight PolyCarbonate shielding
- Replaceable G4 LED bulbs
- Built-in ON-OFF switch
- 350° rotatable horizontally and 90° vertically leaving no blind spot

Specifications

- Lighting Source | G4 LED Bulbs 2W (200-230lm)
- Color Temperature | 2800-3200K (Warm White)
- Voltage Rating | DC 10 - 30V
- Current Consumption | 2W
- Note | CE

WaveLED Reading Light

LR001-1W / LR001-SMD (SMD Version)



Features

- Compact size with powerful output
- New screw-free bayonet catch wave base design
- 350° rotatable horizontally and 90° vertically leaving no blind spot
- Constant-Current technology design ideal for marine lighting
- Dual Voltage rating for both 12V & 24V systems

Specifications

LR001-1W(High Power LED)

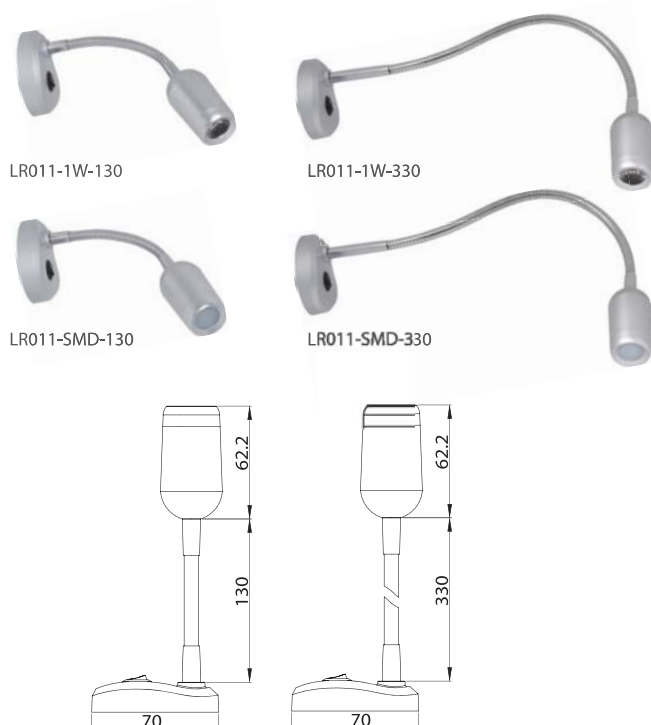
- Lighting Source | High Power LED (1W) x 1 with condenser lens
- Color Temperature | 3000-3300K (Warm White)
- Voltage Rating | DC 9-30V
- Power Consumption | 1.32W
- Note |

LR001-SMD

- Lighting Source | 8 super bright SMD LED (160lm)
- Color Temperature | 2900-3200K (Warm White)
- Voltage Rating | DC 10-30V
- Power Consumption | 1.68W
- Note |

WaveLED Gooseneck Reading Light

LR011-1W-130 / LR011-1W-330
LR011-SMD-130 / LR011-SMD-330 (SMD Version)



Features

- Compact size with powerful output
- New screw-free bayonet catch wave base design
- Bendable gooseneck allows more freedom of light positions
- Constant-Current technology design ideal for marine lighting
- Dual Voltage rating for both 12V & 24V systems

Specifications

LR011-1W(High Power LED)

- Lighting Source | High Power LED (1W) x with condenser lens
- Color Temperature | 3000-3300K (Warm White)
- Voltage Rating | DC 9-30V
- Power Consumption | 1.32W
- Note |

LR011-SMD

- Lighting Source | 8 super bright SMD LED (160lm)
- Color Temperature | 2900-3200K (Warm White)
- Voltage Rating | DC 10-30V
- Power Consumption | 1.68W
- Note |



LED Reading Light with USB Charging Socket

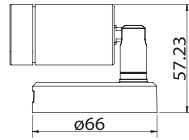
LR003 / LR013-130 / LR013-330

LR003D / LR013D-130 / LR013D-330 (Dimmable)

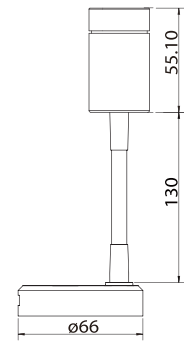
LR003WC / LR013WC-130 / LR013WC-330 (Dual color) **New**



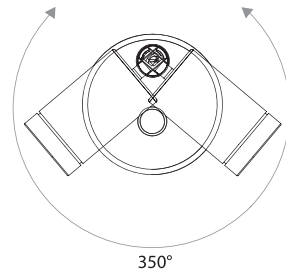
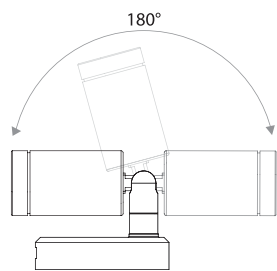
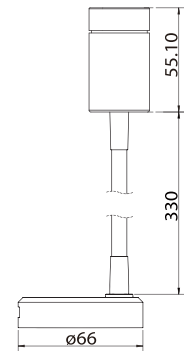
LR003



LR013-130



LR013-330



Features

- Chrome plated plastic housing for premium feeling with low cost
- Compact size with powerful output
- Convenient 1 port 2.4A USB Charge socket on base (Compatible with latest iPad)
- Screw-free bayonet catch base design
- Low profile touch button design
- Constant-Current technology design ideal for marine lighting
- Dual voltage rating for both 12V & 24V system

Additional Features for LR003D (Dimmable)

- Linear (non-stop) dimming allowing brightness adjustment to any desirable level (10-100%)

Additional Features for LR003WC (Dual color) **New**

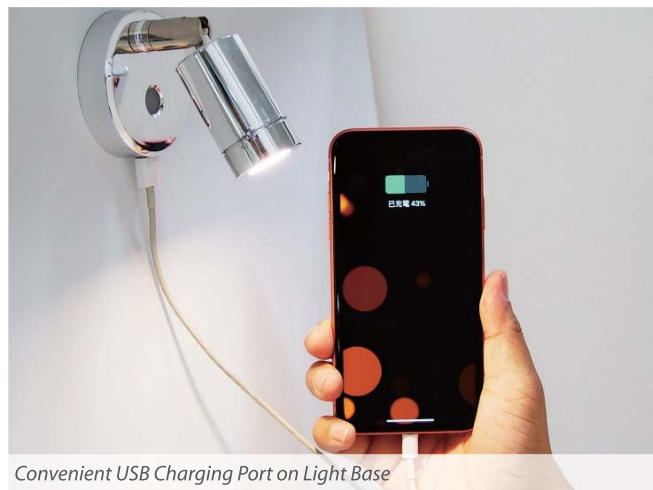
- Selecting from 2 different color temperatures (Warm White / Cold White) - also Dimmable

Specifications

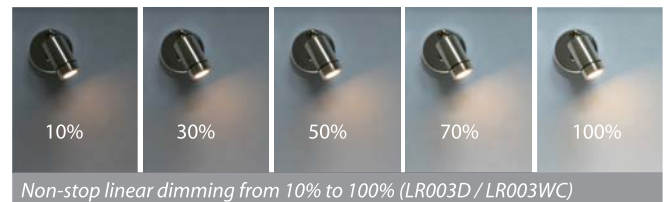
- Lighting Source | 4 x super bright SMD LED (160lm)
- Color Temperature | 3000 - 3300K (Warm White)
- Voltage Range | DC 10V - 30V
- Power Consumption | 1.68W (USB not charging) 15.5W Max (USB Charging)
- Note | **CE**

LR003WC (Dual color) **New**

- Lighting Source | 8 x super bright SMD LED
- Color Temperature | 3000 - 3300K (Warm White) / 6500K (Cold White)
- Voltage Range | DC 10V - 30V
- Power Consumption | 1.68W (USB not charging) 15.5W Max (USB Charging)
- Note | **CE**



Convenient USB Charging Port on Light Base



Non-stop linear dimming from 10% to 100% (LR003D / LR003WC)



Dual color temp - White & Warm White (LR003WC)

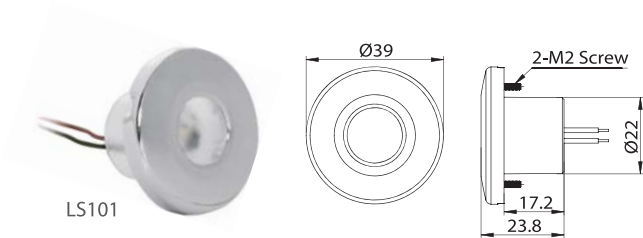
New Product

Marine LED Courtesy Lights

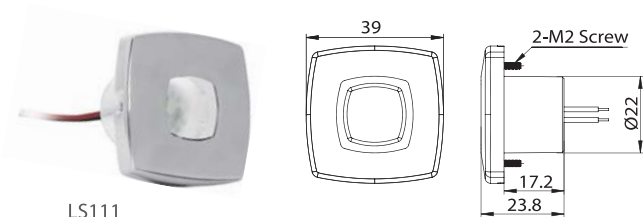
LED Step Lights / Courtesy Light with Stainless Steel Faceplate

LS101(Round)

LS111(Square)



LS101



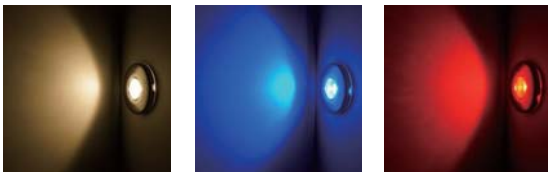
LS111

Features

- Polished marine grade stainless steel (SAE 316) faceplate
- Completely sealed – completely waterproof even undertemporary water immersion (IP67)
- Compact size and easy to install
- Matte Surface allowing soft and smooth light output
- LED Colors available in Warm White, Blue, Red

Specifications

- Lighting Source | SMD LED
- Voltage Rating | DC 12V
- Power Consumption | 0.25W
- Note | IP67



LS101W

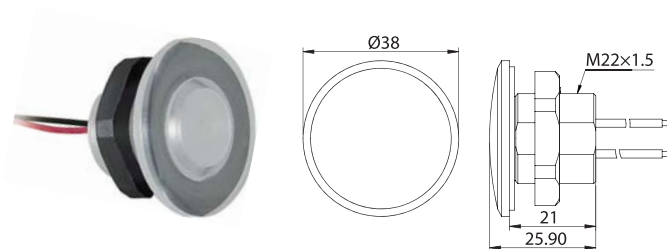
LS101B

LS101R

Economical LED Step Lights / Courtesy Light

LS102

Best Seller



Features

- Completely sealed – completely waterproof even undertemporary water immersion (IP67)
- Compact size and easy to install
- Matte Surface allowing soft and smooth light output
- LED Colors available in Warm White, Blue, Red
- Also applicable as live well bait tank light

Specifications

- Lighting Source | SMD LED
- Voltage Rating | DC 12V
- Power Consumption | 0.25W
- Note | IP67



LS102W

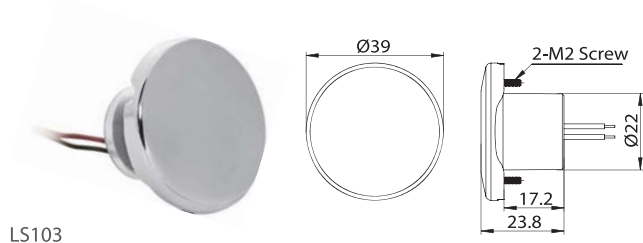
LS102B

LS102R

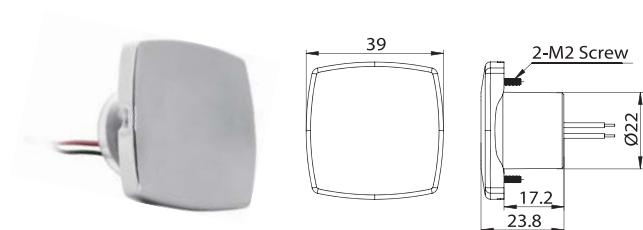
LED Step Light / Courtesy Light with Single or Double Light Rays

LS103 (Round)

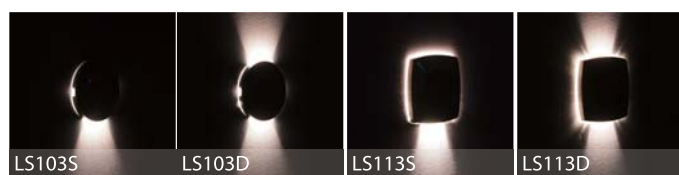
LS113 (Square)



LS103



LS113



LS103S

LS103D

LS113S

LS113D

Features

- Polished marine grade stainless steel (SAE 316) faceplate
- Single or Double light rays provides elegant illumination
- Completely sealed – completely waterproof even undertemporary water immersion (IP67)
- Compact size and easy to install
- Available in warm white or cold white color
- Dual voltage rating for both 12V & 24V systems

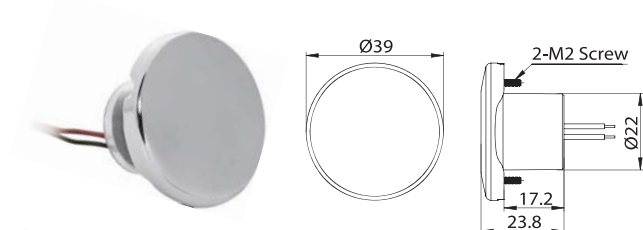
Specifications

- Lighting Source | SMD LED
- Color Temperature | 2900-3200K(Warm White) / 6500K (Cold White)
- Voltage Rating | DC 10-30V
- Power Consumption | 0.24W(Single Ray) / 0.36W (Double Ray)
- Note | IP67 

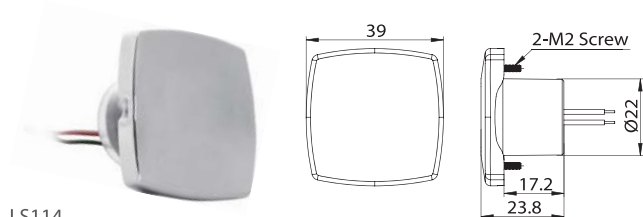
LED Step Light / Courtesy Light with Light Ring

LS104 (Round)

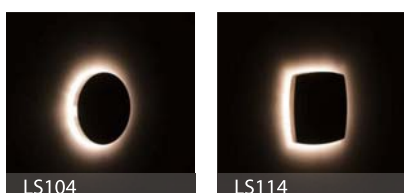
LS114 (Square)



LS104



LS114



LS104

LS114

Features

- Polished marine grade stainless steel (SAE 316) faceplate
- Sun eclipse like light ring effects
- Completely sealed – completely waterproof even undertemporary water immersion (IP67)
- Compact size and easy to install
- Available in warm white or cold white color

Specifications

- Lighting Source | SMD LED
- Voltage Rating | DC 12V
- Power Consumption | 0.25W
- Note | IP67 

Customize Packaging for Your Products!



- ✓ Low MOQ
- ✓ Free Design
- ✓ Instant Feedback

Provide your Logo file, and we will handle the rest!
Low MoQ / Free Design / Instant Feedback

AI PSD

Almost all of YIS Marine's quality products come with retail display packages. Designed for the aftermarket, our blister or colored boxes packages typically include customizable label stickers, instruction manual and installation accessories - everything consumers need to install the products themselves. Our blisters and box packages are made in Taiwan with good quality that matches the products within them.

In addition to supplying our quality products, we also provide marketing support like blister card / box design, instruction manual or even marketing support for customer's catalogue design. Customer's logo on blister cards are also possible.

