

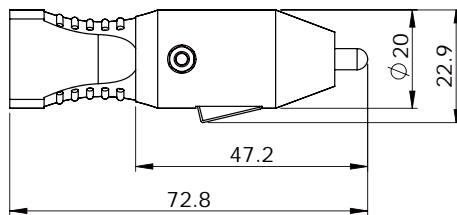
Normal Cigarette Lighter Plugs

Unfused

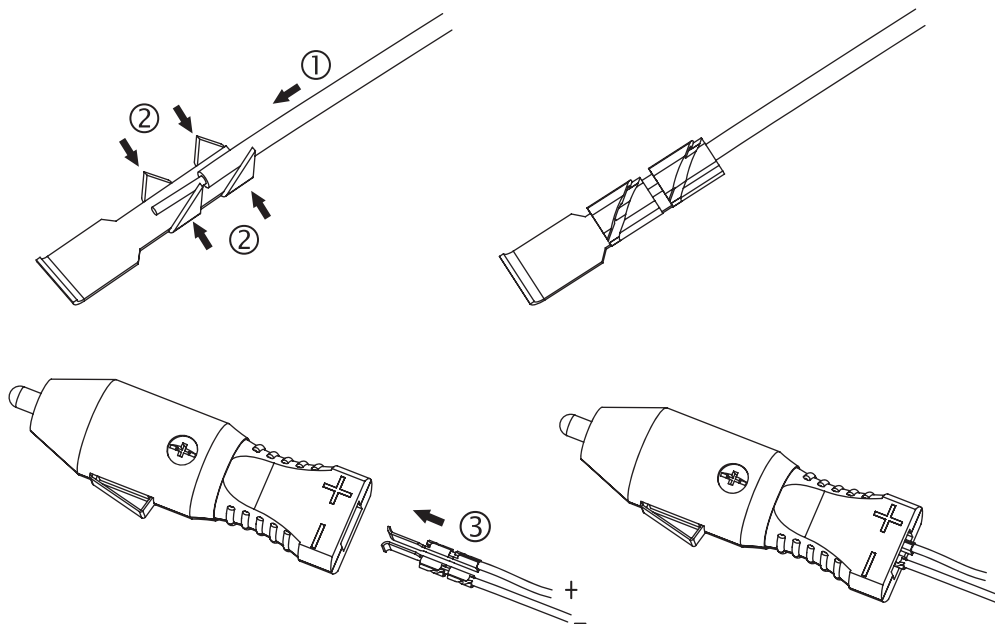
Cigarette Lighter Plug with Quick Insert-and-Lock Terminals AP106



- Unfused
- "Insert-and-Lock" terminals allowing quick wire assembly (as illustrated)
- Designed for Size A ($\phi 21.0\text{mm}$) Sockets
- Amp Rating : 10A
- CE



Assembly Illustration of Quick Terminals :



Wiring for AP Series

Most of our AP products can be sold pre-wired, please refer to the following coding table for ordering details:

Coding Guide for pre-wired AP Cigarette Lighter Plugs

AP111□□ □□ - □□# - □□"
(1) (2) (3) (4)

(1) Cord Types		(2) Lead Process		(3) Wire Gauge		(4) Wire Length	
1	Straight Cord – 2C	C	Cut	□□#	AWG #	□□"	Length in inches
2	Coil Cord (Ribbon)	T	Tinned/Stripped	□□mm	Φ in mm (for cord type 3 & 4 only)	□□cm	Length in cm
3	Round Cord (choose one below)	Q	0.250"Female Quick Connect Terminal			□□'	Length in feet
3A	Double Conductors	P	DC Plug (180°) (choose one below)			□□m	Length in meters
3B	Single Shielded						
4	Coil Cord/ Round (choose one below)	P1	2.1 x 5.5mm				
4A	Double Conductors	P2	2.5 x 5.5mm				
4B	Single Shielded	P3	1.3 x 3.5mm				
		P4	3 x 6.3mm				
5	Electronic Cord (choose one below)	R	DC Plug (90°) (choose one below)				
5A	UL1015	R1	2.1 x 5.5mm				
5B	UL1007	R2	2.5 x 5.5mm				
		R3	1.3 x 3.5mm				
		R4	3 x 6.3mm				
6	Internal Hook-up (2 x 0.75mm)	S	Cigarette Lighter Socket (choose one below)				
		S1	AS201(Assembled)				
		S2	AS208(Molded)				
		J	DC Jack (choose one below)				
		J1	2.1 x 5.5mm				
		J2	2.5 x 5.5mm				

Cord Types



Straight Cord – 2C



Coil Cord



Round Cord



Coil Cord/ Round



Electronic Cord



Internal Hook-up

Lead Process



Cut



Tinned/Stripped



0.250"Female
Quick Connect
Terminal



DC Plug (180°)



DC Plug (90°)



AS201



AS208

Cigarette Lighter Sockets



DC Jack