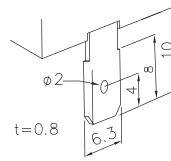




Rating	AC 125V 16A 250V 10A / DC 12V 20A 24V 10A
Contact R.	50mΩ Max.
Insulation R.	DC 500V 100MΩ Min.
Dielectric Strength	AC 1500V 1 Min.
Electrical Life	20,000-50,000 switch function dependent

### Terminal Specification 端子規格



PC Terminal  
PC 端子

### Optional Accessories 選購配件

C-7 Actuators (Sold Standalone 可獨立販售)

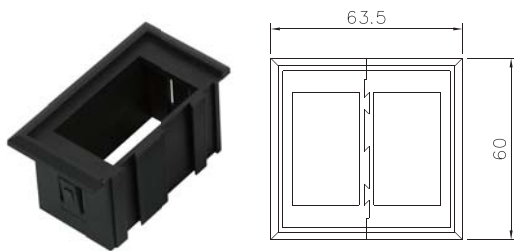


C7A-H1W C7A-H3W C7A-H3R-25

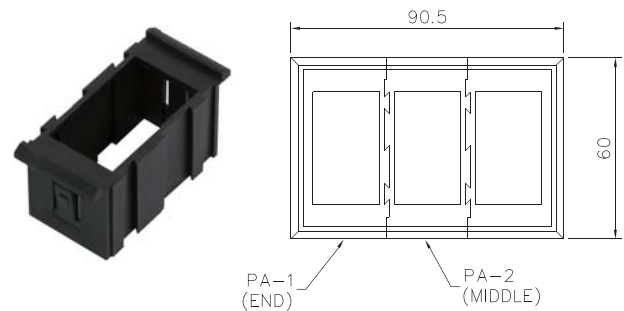
- Available stand-alone without switch body
- Available in various colors, lens configurations and printing options
- Lens color available in white, red, amber, green and blue
- Customizable silkscreen printing or label stickers on square lens available
- See page on the left for coding

### Mounting Panels 鑲板

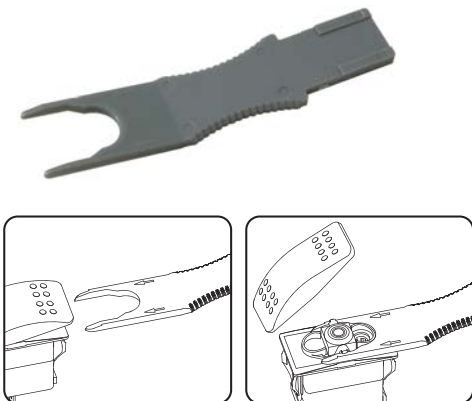
**C7-PA-1**  
End Frame



**C7-PA-2**  
Middle Frame



**C7-RM-1**  
Actuator Removal Tool 上蓋移除工具



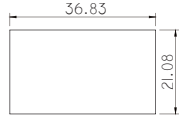
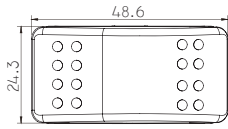
**C7-ST-1**  
Stickers 貼紙



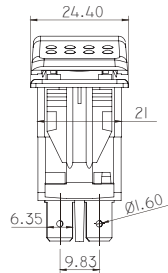
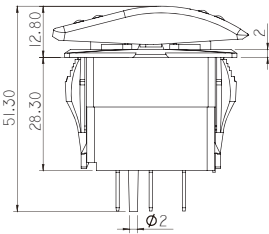
- 60 pcs assorted label stickers
- For use with Actuators with white square lens C7A-H3W
- Sold separately

**C7-HP-1**  
C-7 Switch Hole Plug





Panel Thickness: 3mm Max

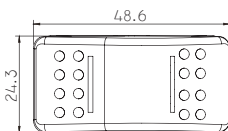


Model No. 編號	Type 極性	Terminal Quantity 端子數	Switch Function 電路特性			Schematics 線路圖
			ON	-	OFF	
C-7121	SPST	2P	ON	-	OFF	
C-7124	SPST	2P	(ON)	-	OFF	
C-7132	SPDT	3P	ON	-	ON	
C-7135	SPDT	3P	(ON)	-	ON	
C-7133	SPDT	3P	ON	OFF	ON	
C-7136	SPDT	3P	(ON)	OFF	ON	
C-7137	SPDT	3P	(ON)	OFF	(ON)	
C-7141	DPST	4P	ON	-	OFF	
C-7144	DPST	4P	(ON)	-	OFF	
C-7162	DPDT	6P	ON	-	ON	
C-7165	DPDT	6P	(ON)	-	ON	
C-7163	DPDT	6P	ON	OFF	ON	
C-7166	DPDT	6P	(ON)	OFF	ON	
C-7167	DPDT	6P	(ON)	OFF	(ON)	

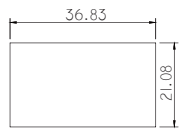
(ON) Momentary 彈回



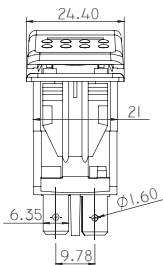
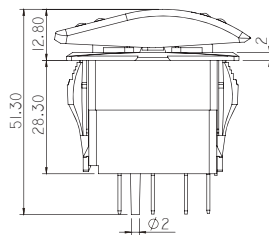
**C-72XXRR-2R**  
with Double Stripe Lens



**C-72XXR-3R**  
with Square Lens



Panel Thickness: 3mm MAX



Model No. 編號	Type 極性	Terminal Quantity 端子數	Switch Function 電路特性			Schematics 線路圖
			ON	-	OFF	
C-7231R	SPST	3P	ON	-	OFF	
C-7234R	SPST	3P	(ON)	-	OFF	
C-7242RR	SPDT	4P	ON	-	ON	
C-7245RR	SPDT	4P	(ON)	-	ON	
C-7243RR	SPDT	4P	ON	OFF	ON	
C-7246RR	SPDT	4P	(ON)	OFF	ON	
C-7247RR	SPDT	4P	(ON)	OFF	(ON)	
C-7251R	DPST	5P	ON	-	OFF	
C-7254R	DPST	5P	(ON)	-	OFF	
C-7272RR	DPDT	7P	ON	-	ON	
C-7275RR	DPDT	7P	(ON)	-	ON	
C-7273RR	DPDT	7P	ON	OFF	ON	
C-7276RR	DPDT	7P	(ON)	OFF	ON	
C-7277RR	DPDT	7P	(ON)	OFF	(ON)	

(ON) Momentary 彈回

illuminated switch

# C-7 Switch with Laser Etched Actuators

# 雷雕刻字密封防水汽車開關



- Premium feeling and backlight effects
- YIS exclusive trendy actuator shape (Patented)
- Laser etching technology allowing even very complicated patterns
- Illuminates on both symbol and label (label illumination configurable to be always on or power indication)
- 100% customizable with low MoQ



Model No. 編號	Type 極性	Terminal Quantity 端子數	Switch Function 電路特性	Schematics 線路圖	Note
☀ C-7231X	SPST	3P	ON - OFF		illuminated symbol only
☀ C-7234X	SPST	3P	(ON) - OFF		illuminated symbol only
☀☀ C-7251XY	SPST	5P	ON - OFF		Illuminated symbol and label
☀☀ C-7254XY	SPST	5P	(ON) - OFF		Illuminated symbol and label

(ON) Momentary 彈回

☀ illuminated switch

※ X stands for Symbol illumination LED color, and Y for Label LED Color.

※ Symbol illumination is ON when switch is ON; Label illumination is configurable externally.

## Coding Table

C-7 Switch with Laser Etched Actuators

C-7 Laser Etched Actuator (Actuator only)

C-7251 (1) - L (2) (3) (4)

C-7 L (2) (3) (4)

(1) LED Color	
Symbol	Label
None	None
R Red	R Red
A Amber	A Amber
W White	W White
G Green	G Green
B Blue	B Blue

### (2) Actuator painting color

- Black
- G Gold
- R Gray

### (3) Symbol code

- L01~L99 Lighting (4WD)
- M01~M99 Marine
- A01~A99 Accessories



Scan QR Code for full symbol table

### (4) Direction

- Vertical
- H Horizontal, Pattern on right
- L Horizontal, Pattern on Left

## C-7 Laser Etched Actuators

## C-7雷雕客製上蓋

(Sold standalone 可獨立販售)



C-7L-L15 C-7L-M17 C-7L-A07



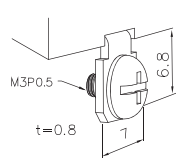
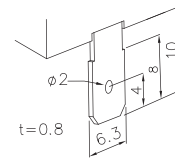
## Sample Patterns 雷雕範例



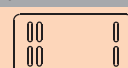




- Robust design to withstand outdoor environments
- Easy-to-press, stylish curved actuator design
- Available in various switch functions and illuminating configurations
- LEDs or Lamps available (for illuminated C-62 series)
- IP55: Water projected in jets from any direction shall have no harmful effects

**C-6** □□□ □ □□ - □□  
 (1) (2) (3) (4) (5) (6) (7) (8)

(1) Switch Type	(2) Terminal Quantity	(3) Switch Functions	(4) Terminal Type
<b>1</b> Rocker	<b>2</b> 2P	<b>1</b> ON-OFF	Screw
<b>2</b> Illuminated Rocker	<b>3</b> 3P	<b>2</b> ON-ON	<b>P</b> PC Terminal
	<b>4</b> 4P	<b>3</b> ON-OFF-ON	
	<b>5</b> 5P	<b>4</b> (ON)-OFF	
	<b>6</b> 6P	<b>5</b> (ON)-ON	Screw Terminal 螺絲端子
		<b>6</b> (ON)-OFF-ON	PC Terminal PC 端子
		<b>7</b> (ON)-OFF-(ON)	
		<b>8</b> ON-(OFF)	
		<b>9</b> ON-ON-ON	
		<b>A</b> OFF-ON-ON	

(5) Light Source	(6) Illumination when pressed
Non-illuminated(C-61 only)	Opposite side
DC 12V Lamp(C-62 only)	<b>1</b> Same side (external jumper)
<b>D</b> DC 24V Lamp(C-62 only)	<b>2</b> Always
<b>L</b> DC 12V LED(C-62 only)	<b>3</b> Same side (with inner jumper)
<b>K</b> DC 24V LED(C-62 only)	
<b>Q</b> AC 250V Neon(C-62 only)	
<b>N</b> AC 125V Neon(C-62 only)	

(7) Actuator		(8) Actuator Type
Body Color	Len	
Black	None (C61-only)	 (C-61 only)
<b>W</b> White	None (C61-only)	 (C-62 only)
Black	White (C62-only)	
<b>M</b> White	White (C62-only)	<b>N</b>  (C-62 only)

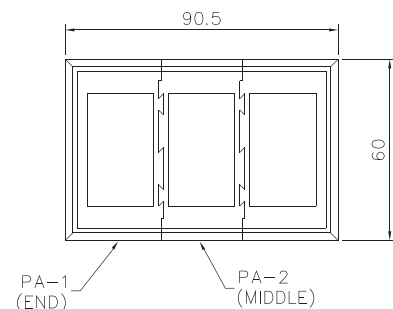
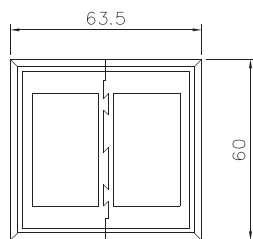
Rating	AC 125V 16A 250V 10A DC 12V 16A 24V 10A
Contact R.	50mΩ Max.
Insulation R. .	DC 500V 100MΩ Min.
Dielectric Strength	AC 1500V 1 Min.
Electrical Life	20,000 make and break cycles at full load

## Optional Accessories 選購配件

Mounting Panels 鑲板

**C6-PA-1**  
End Frame

**C6-PA-2**  
Middle Frame

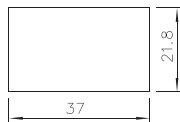
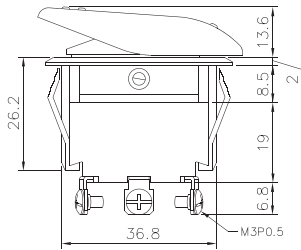
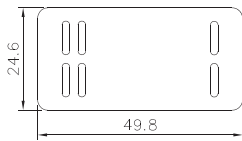




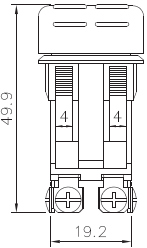
**C-61XX**



**C-61XXP**



Panel Thickness: 4.5mm Max.



Model No. 編號	Type 極性	Terminal Quantity 端子數	Switch Function 電路特性			Schematics 線路圖
C-6121	SPST	2P	ON	-	OFF	
C-6124	SPST	2P	(ON)	-	OFF	
C-6132	SPDT	3P	ON	-	ON	
C-6135	SPDT	3P	(ON)	-	ON	
C-6133	SPDT	3P	ON	OFF	ON	
C-6136	SPDT	3P	(ON)	OFF	ON	
C-6137	SPDT	3P	(ON)	OFF	(ON)	
C-6141	DPST	4P	ON	-	OFF	
C-6144	DPST	4P	(ON)	-	OFF	
C-6162	DPDT	6P	ON	-	ON	
C-6165	DPDT	6P	(ON)	-	ON	
C-6163	DPDT	6P	ON	OFF	ON	
C-6166	DPDT	6P	(ON)	OFF	ON	
C-6167	DPDT	6P	(ON)	OFF	(ON)	

(ON) Momentary 彈回

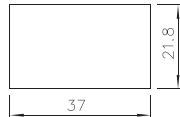
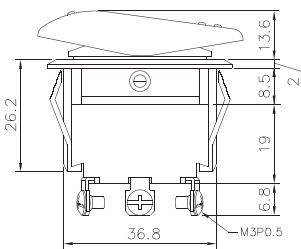
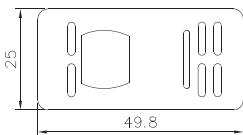
※ Add "P" for PC terminals models (PC腳款：編號後+"P")



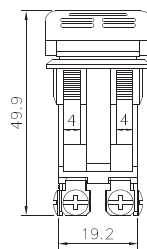
**C-62XX**  
with Square Lens



**C-62XXP-N**  
with Double Stripe Lens



Panel Thickness: 4.5mm Max.



Model No. 編號	Type 極性	Terminal Quantity 端子數	Switch Function 電路特性			Schematics 線路圖
C-6231	SPST	3P	ON	-	OFF	
C-6234	SPST	3P	(ON)	-	OFF	
C-6241	DPST	4P	ON	-	OFF	
C-6244	DPST	4P	(ON)	-	OFF	
C-6252	SPDT	5P	ON	-	ON	
C-6255	SPDT	5P	(ON)	-	ON	
C-6253	SPDT	5P	ON	OFF	ON	
C-6256	SPDT	5P	(ON)	OFF	ON	
C-6257	SPDT	5P	(ON)	OFF	(ON)	
C-6262	DPDT	6P	ON	-	ON	
C-6265	DPDT	6P	(ON)	-	ON	
C-6263	DPDT	6P	ON	OFF	ON	
C-6266	DPDT	6P	(ON)	OFF	ON	
C-6267	DPDT	6P	(ON)	OFF	(ON)	

(ON) Momentary 彈回

illuminated switch

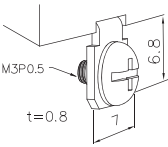
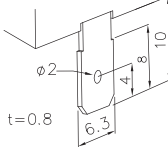
※ Add "P" for PC terminals models (PC腳款：編號後+"P")

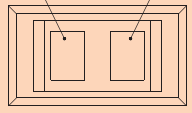




- Share the same body as the C-61/C-62
- Easy-to-press, stylish recessed actuator design
- Available in various switch function, illuminating and other configurations
- Optional dual-color lens available. (for illuminated C-64 series)

**C-6** □□□ □ □□ - □□□  
 (1) (2) (3) (4) (5) (6) (7)

(1) Switch Type	(2) Terminal Quantity	(3) Switch Functions	(4) Terminal Type
<b>3</b> Rocker	<b>2</b> 2P	<b>1</b> ON-OFF	Screw
<b>4</b> Illuminated Rocker	<b>3</b> 3P	<b>2</b> ON-ON	<b>P</b> PC Terminal
	<b>4</b> 4P	<b>3</b> ON-OFF-ON	
	<b>5</b> 5P	<b>4</b> (ON)-OFF	
	<b>6</b> 6P	<b>5</b> (ON)-ON	Screw Terminal 螺絲端子
		<b>6</b> (ON)-OFF-ON	PC Terminal PC 端子
		<b>7</b> (ON)-OFF-(ON)	
		<b>8</b> ON-(OFF)	
		<b>9</b> ON-ON-ON	
		<b>A</b> OFF-ON-ON	
(5) Light Source	(6) Illumination when pressed		
Non-illuminated(C-63 only)	Opposite side		
DC 12V Lamp(C-64 only)	<b>1</b> Same side (external jumper)		
<b>D</b> DC 24V Lamp(C-64 only)	<b>2</b> Always		
	<b>3</b> Same side (with inner jumper)		

(7) Len A	Len B	Len A	Len B
None	None		
<b>R</b> Red	<b>R</b> Red	Len A refers to the len above terminal 1 & 4	
<b>A</b> Amber	<b>A</b> Amber		

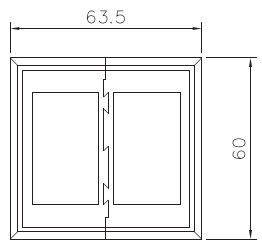
Rating	AC 125V 16A 250V 10A DC 12V 16A 24V 10A
Contact R.	50mΩ Max.
Insulation R.	DC 500V 100MΩ Min.
Dielectric Strength	AC 1500V 1 Min.
Electrical Life	20,000 make and break cycles at full load

### Optional Accessories 選購配件

#### Mounting Panels 鑲板

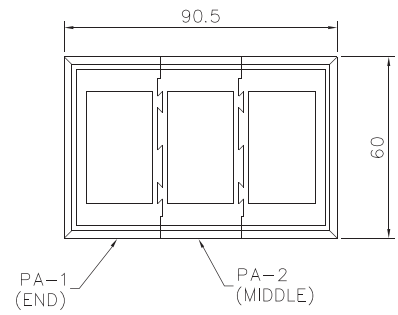
#### C6-PA-1

End Frame



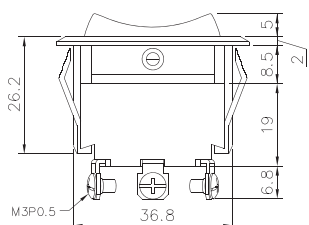
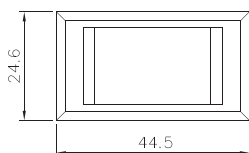
#### C6-PA-2

Middle Frame

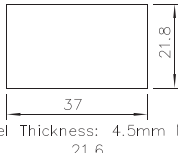




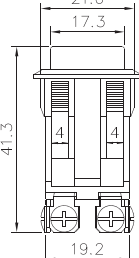
**C-63XX**



**C-63XP**



Panel Thickness: 4.5mm Max.



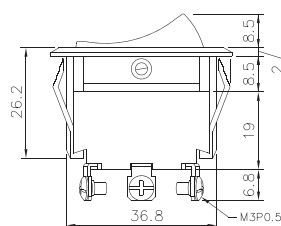
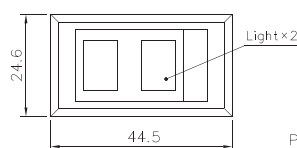
Model No. 編號	Type 極性	Terminal Quantity 端子數	Switch Function 電路特性			Schematics 線路圖
C-6321	SPST	2P	ON	-	OFF	
C-6324	SPST	2P	(ON)	-	OFF	
C-6332	SPDT	3P	ON	-	ON	
C-6335	SPDT	3P	(ON)	-	ON	
C-6333	SPDT	3P	ON	OFF	ON	
C-6336	SPDT	3P	(ON)	OFF	ON	
C-6337	SPDT	3P	(ON)	OFF	(ON)	
C-6341	DPST	4P	ON	-	OFF	
C-6344	DPST	4P	(ON)	-	OFF	
C-6362	DPDT	6P	ON	-	ON	
C-6365	DPDT	6P	(ON)	-	ON	
C-6363	DPDT	6P	ON	OFF	ON	
C-6366	DPDT	6P	(ON)	OFF	ON	
C-6367	DPDT	6P	(ON)	OFF	(ON)	

(ON) Momentary 彈回

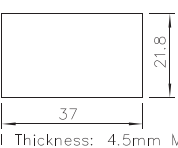
※ Add "P" for PC terminals models (PC腳款：編號後+"P")



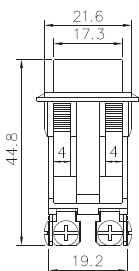
**C-643X-R**  
**C-644X-R**



**C-645XP-RR**  
**C-646XP-RR**



Panel Thickness: 4.5mm Max.



Model No. 編號	Type 極性	Terminal Quantity 端子數	Switch Function 電路特性			Schematics 線路圖
C-6431	SPST	3P	ON	-	OFF	
C-6434	SPST	3P	(ON)	-	OFF	
C-6441	DPST	4P	ON	-	OFF	
C-6444	DPST	4P	(ON)	-	OFF	
C-6452	SPDT	5P	ON	-	ON	
C-6455	SPDT	5P	(ON)	-	ON	
C-6453	SPDT	5P	ON	OFF	ON	
C-6456	SPDT	5P	(ON)	OFF	ON	
C-6457	SPDT	5P	(ON)	OFF	(ON)	
C-6462	DPDT	6P	ON	-	ON	
C-6465	DPDT	6P	(ON)	-	ON	
C-6463	DPDT	6P	ON	OFF	ON	
C-6466	DPDT	6P	(ON)	OFF	ON	
C-6467	DPDT	6P	(ON)	OFF	(ON)	

(ON) Momentary 彈回

illuminated switch

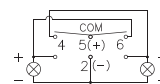
※ Add "P" for PC terminals models (PC腳款：編號後+"P")

**C-6443P1-RA**



SPDT  
ON-OFF-ON

- Dual color lens
- Pre-printed label

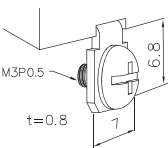
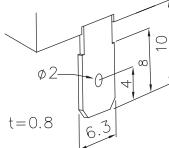






- Available in various switch function and illuminating and other configurations
- Self-illuminating handle bar
- Hidden color lens allowing up to three different illuminating colors (for illuminated C-66 series)

**C-6**       -    
 (1) (2) (3) (4) (5) (6) (7) (8)

(1) Switch Type	(2) Terminal Quantity	(3) Switch Functions	(4) Terminal Type
<b>5</b> Toggle	<b>2</b> 2P	<b>1</b> ON-OFF	Screw
<b>6</b> Illuminated Toggle	<b>3</b> 3P	<b>2</b> ON-ON	<b>P</b> PC Terminal
	<b>4</b> 4P	<b>3</b> ON-OFF-ON	
	<b>5</b> 5P	<b>4</b> (ON)-OFF	
	<b>6</b> 6P	<b>5</b> (ON)-ON	Screw Terminal 螺絲端子
		<b>6</b> (ON)-OFF-ON	PC Terminal PC 端子
		<b>7</b> (ON)-OFF-(ON)	

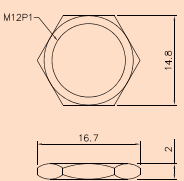
(5) Light Source	(6) LED Color
Non-illuminated(C-65 only)	None
DC 12V Lamp(C-66 only)	<b>R</b> Red
<b>D</b> DC 24V Lamp(C-66 only)	<b>W</b> White
<b>L</b> DC 12V LED(C-66 only)	<b>G</b> Green
<b>K</b> DC 24V LED(C-66 only)	

(7) Toggle Color	(8) Len A	Len B
Black(C-65 only)	None	None
<b>G</b> Green(C-66 only)	<b>R</b> Red	<b>R</b> Red
<b>R</b> Red(C-66 only)	<b>G</b> Green	<b>G</b> Green
<b>C</b> Clear(C-66 only)	<b>B</b> Black	<b>B</b> Black

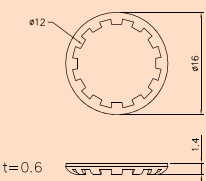
※ For use with Clear Toggle only

Rating	AC 125V 16A 250V 10A DC 12V 16A 24V 10A
Contact R.	50mΩ Max.
Insulation R. .	DC 500V 100MΩ Min.
Dielectric Strength	AC 1500V 1 Min.
Electrical Life	20,000 make and break cycles at full load

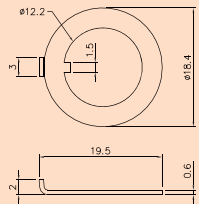
### Standard Accessories 標準配件



Hexagon Nut  
六角螺帽




Zigzag Washer  
齒形華司



Fixing Washer  
固定華司

### Optional Accessories 選購配件

**C6-RB-2**  
Waterproof and dustproof rubber boot  
Nut: M12  
Color: Clear/ Black

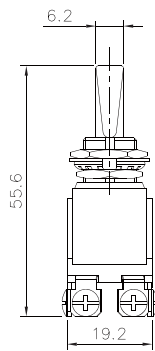
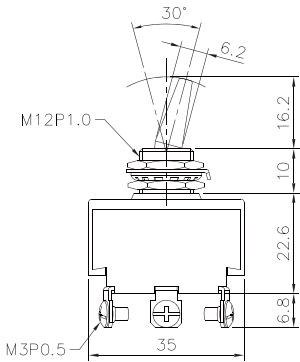




**C-65XX**



**C-65XXP**



Model No. 編號	Type 極性	Terminal Quantity 端子數	Switch Function 電路特性			Schematics 線路圖
			ON	-	OFF	
C-6521	SPST	2P	ON	-	OFF	
C-6524	SPST	2P	(ON)	-	OFF	
C-6532	SPDT	3P	ON	-	ON	
C-6535	SPDT	3P	(ON)	-	ON	
C-6533	SPDT	3P	ON	OFF	ON	
C-6536	SPDT	3P	(ON)	OFF	ON	
C-6537	SPDT	3P	(ON)	OFF	(ON)	
C-6541	DPST	4P	ON	-	OFF	
C-6544	DPST	4P	(ON)	-	OFF	
C-6562	DPDT	6P	ON	-	ON	
C-6565	DPDT	6P	(ON)	-	ON	
C-6563	DPDT	6P	ON	OFF	ON	
C-6566	DPDT	6P	(ON)	OFF	ON	
C-6567	DPDT	6P	(ON)	OFF	(ON)	

(ON) Momentary 彈回

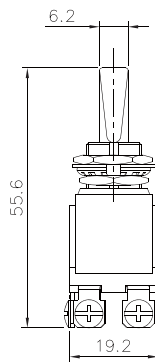
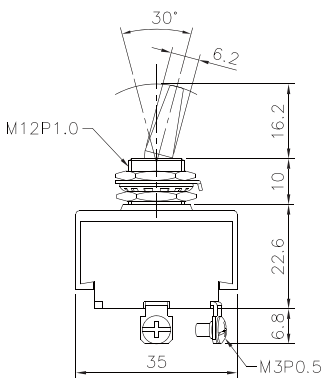
※ Add "P" for PC terminals models (PC腳款：編號後+"P")



**C-66XX**



**C-66XXP**



Model No. 編號	Type 極性	Terminal Quantity 端子數	Switch Function 電路特性			Schematics 線路圖
			ON	-	OFF	
C-6631	SPST	3P	ON	-	OFF	
C-6634	SPST	3P	(ON)	-	OFF	
C-6642	SPDT	4P	ON	-	ON	
C-6645	SPDT	4P	(ON)	-	ON	
C-6643	SPDT	4P	ON	OFF	ON	
C-6646	SPDT	4P	(ON)	OFF	ON	
C-6647	SPDT	4P	(ON)	OFF	(ON)	
C-6652	SPDT	5P	ON	-	ON	
C-6655	SPDT	5P	(ON)	-	ON	
C-6653	SPDT	5P	ON	OFF	ON	
C-6656	SPDT	5P	(ON)	OFF	ON	
C-6657	SPDT	5P	(ON)	OFF	(ON)	
C-6663	DPDT	6P	ON	OFF	ON	
C-6666	DPDT	6P	(ON)	OFF	ON	
C-6667	DPDT	6P	(ON)	OFF	(ON)	

(ON) Momentary 彈回

illuminated switch

※ Add "P" for PC terminals models (PC腳款：編號後+"P")

**C6653L-CRG: Tri-color illuminated switch ON-OFF-ON**



# C-67/C-68 Sealed Rocker Switch with Palm Guard 帶檔板密封防水汽車開關



- Silicone rubber seal providing moisture and dust resistance (IP66)
- Easy-to-press, recessed actuator design with palm guard
- Suitable for tractors, trucks, campers or yachts
- Customizable switch functions, terminal configurations and illuminations.

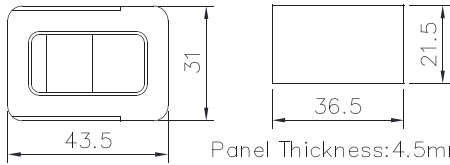
**C-6**      -   
 (1) (2) (3) (4) (5) (6) (7)

(1) Switch Type	(2) Terminal Quantity	(3) Switch Functions	(4) Terminal Type	
<b>7</b> Rocker	<b>2</b> 2P	<b>1</b> ON-OFF	Screw	
<b>8</b> Illuminated Rocker	<b>3</b> 3P	<b>2</b> ON-ON	<b>P</b> PC Terminal	
	<b>4</b> 4P	<b>3</b> ON-OFF-ON	<p>Screw Terminal 螺絲端子</p>	
	<b>5</b> 5P	<b>4</b> (ON)-OFF		<p>PC Terminal PC 端子</p>
	<b>6</b> 6P	<b>5</b> (ON)-ON		
		<b>6</b> (ON)-OFF-ON		
		<b>7</b> (ON)-OFF-(ON)		
(5) Light Source	(6) Illumination when pressed	(7) Lens Color		
Non-illuminated(C-67 only) DC 12V Lamp(C-68 only)	Opposite side	None		
<b>D</b> DC 24V Lamp(C-68 only)	<b>1</b> Same side (external jumper)	<b>R</b> Red		
<b>L</b> DC 12V LED(C-68only)	<b>2</b> Always	<b>A</b> Amber		
<b>K</b> DC 24V LED(C-68only)		<b>G</b> Green		

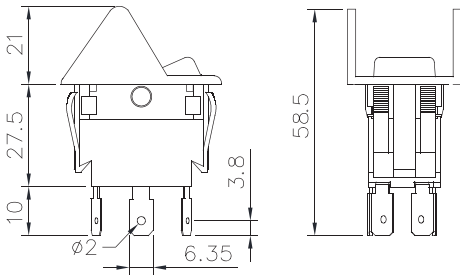
Rating	AC 125V 16A 250V 10A DC 12V 16A 24V 10A
Contact R.	50mΩ Max.
Insulation R. .	DC 500V 100MΩ Min.
Dielectric Strength	AC 1500V 1 Min.
Electrical Life	20,000 make and break cycles at full load



**C-67XX**



Panel Thickness: 4.5mm Max.



Model No. 編號	Type 極性	Terminal Quantity 端子數	Switch Function 電路特性			Schematics 線路圖
C-6721	SPST	2P	ON	-	OFF	
C-6724	SPST	2P	(ON)	-	OFF	
C-6732	SPDT	3P	ON	-	ON	
C-6735	SPDT	3P	(ON)	-	ON	
C-6733	SPDT	3P	ON	OFF	ON	
C-6736	SPDT	3P	(ON)	OFF	ON	
C-6737	SPDT	3P	(ON)	OFF	(ON)	
C-6741	DPST	4P	ON	-	OFF	
C-6744	DPST	4P	(ON)	-	OFF	
C-6762	DPDT	6P	ON	-	ON	
C-6765	DPDT	6P	(ON)	-	ON	
C-6763	DPDT	6P	ON	OFF	ON	
C-6766	DPDT	6P	(ON)	OFF	ON	
C-6767	DPDT	6P	(ON)	OFF	(ON)	

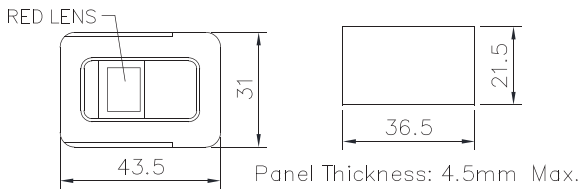
(ON) Momentary 彈回



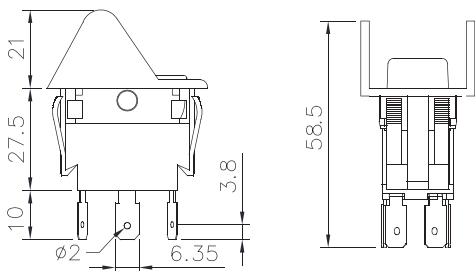
**C-68XX-R**



**C-68XX-G**



Panel Thickness: 4.5mm Max.



Model No. 編號	Type 極性	Terminal Quantity 端子數	Switch Function 電路特性			Schematics 線路圖
C-6831	SPST	3P	ON	-	OFF	
C-6834	SPST	3P	(ON)	-	OFF	
C-6841	DPST	4P	ON	-	OFF	
C-6844	DPST	4P	(ON)	-	OFF	

(ON) Momentary 彈回

illuminated switch



- Premium metal housing and button (available in Stainless Steel or Brass)
- LED light rings configurable to be push-on (power indication) or always on (back lighting).
- IP67 – protected against even under temporary water immersion (IP50 for the buzzers)

**PB-4** □□□ □□□□ - □□ - □□  
 (1) (2) (3) (4) (5) (6) (7) (8) (9) (10)

(1)Rating	(2)Mounting Diameter	(3)Switch Functions
<b>1</b> 5A / Not Illuminated	<b>1</b> 19mm	<b>1</b> ON-OFF (1NO)
<b>2</b> 5A / Illuminated	<b>2</b> 22mm	<b>2</b> 1NO1NC
<b>3</b> 20A / Not Illuminated	<b>3</b> 25mm	<b>3</b> 2NO2NC
<b>4</b> 20A / Illuminated	<b>4</b> 16mm	
<b>5</b> 20A / Illuminated		
<b>6</b> 3A / Not Illuminated		
<b>7</b> 3A / Illuminated		

(4)Switch Body	(5)Terminal Type	(6)Locking	(7)LED Color
Brass, Nickel plated	Solder Terminal	Momentary	None
<b>T</b> Stainless Steel	<b>P</b> PC Terminals(PB-43/44)	<b>L</b> Self-locking	<b>R</b> Red LED
<b>K</b> Black Bronze	<b>S</b> Screw Terminal		<b>B</b> Blue LED
			<b>A</b> Amber LED
			<b>G</b> Green LED
			<b>W</b> White LED

(8)Cap Shape	(9)Illumination Type	(10)Voltage Rating
Flat	Ring	12V
<b>R</b> Round	<b>D</b> Dot	<b>24</b> 24V
<b>H</b> High Flush	<b>P</b> Pattern	

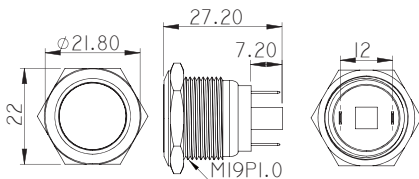
Rating	DC 12V 5A / 24V 5A
Contact R.	50mΩ Max.
Insulation R. .	1000MΩ Min.
Dielectric Strength	2000V AC
Electrical Life	50,000 make and break cycles at full load



**PB-4111**



**PB-4111SH**

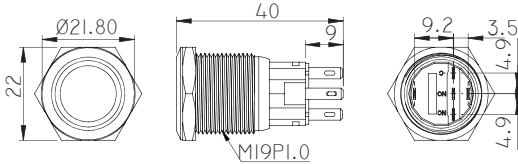


Model No. 編號	Type 極性	Switch Function 電路特性	Button	Terminal 端子
PB-4111	1NO	(ON) - OFF	Flat	Solder
PB-4111S	1NO	(ON) - OFF	Flat	Screw
PB-4111H	1NO	(ON) - OFF	High Flush	Solder
PB-4111SH	1NO	(ON) - OFF	High Flush	Screw
PB-42xxT-X	Add suffix "T" right behind PB-42xx for Stainless Steel models. (default: Nickel plated Brass)			



**PB-4212**

**PB-4213H**



Model No. 編號	Type 極性	Switch Function 電路特性	Button
PB-4212L	1NO1NC	ON - OFF	Flat
PB-4212	1NO1NC	(ON) - OFF	Flat
PB-4213L	2NO2NC	ON - OFF	Flat
PB-4213	2NO2NC	(ON) - OFF	Flat
PB-4212LH	1NO1NC	ON - OFF	High Flush
PB-4212H	1NO1NC	(ON) - OFF	High Flush
PB-4213LH	2NO2NC	ON - OFF	High Flush
PB-4213H	2NO2NC	(ON) - OFF	High Flush
PB-42XX-X-24V	Add suffix "-24V" for 24V models (Default: DC 12V)		
PB-42xxT-X	Add suffix "T" right behind PB-42xx for Stainless Steel models. (default: Nickel plated Brass)		

(ON)-OFF: Momentary / Push-On  
ON-OFF: Latching / Push & Locked



**PB4411TB**



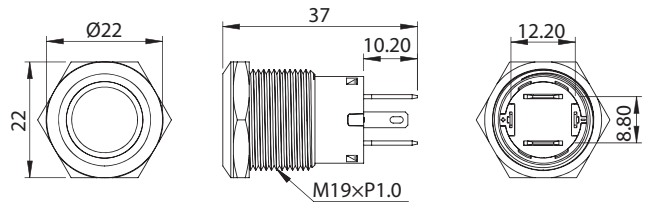
**PB4411TR**



**PB4511TB**



**PB4511TR**

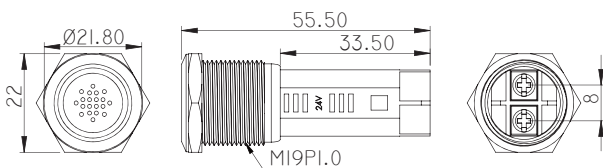


Model No. 編號	Type 極性	Switch Function 電路特性	Terminal 端子
PB-4411TL	1NO	ON - OFF	PC
PB-4411T	1NO	(ON) - OFF	PC
PB-4511TL	1NO	ON - OFF	PC
PB-4511T	1NO	(ON) - OFF	PC
PB-4411-X PB-4511-X	X Stands for Symbol illumination LED color. R : Red / B : Blue / W : White / G : Green		
PB-4411-X-24V PB-4511-X-24V	Add suffix "-24V" for 24V models (Default: DC 12V)		

(ON)-OFF: Momentary / Push-On  
ON-OFF: Latching / Push & Locked

**PB-BZ-1R**

Metal Buzzer with flashing LED warning



- IP50 rated
- Loud 80dB buzzer sound
- Flashing Red LED warning
- Rating: DC 12V

**PB-ST-1**

Label stickers for PB45xx Series



- 40 pcs assorted label sticker
- Scratch resistant, water-proof PC membrane material
- Customized version also possible
- Back printing for better durability



# Lyric Shin Guitar Foot Switches

Pro Switch Manufacturer for 38 years



**PB4066/4067/4068**



- Classic Design since 1990
- Sturdy build with quality materials

**PB4166 Upgraded DPDT Switch**



- Thermoplastic PPS (UL94V0)
- Upgrade conductivity and life

**PB4173 "Gentle" Click**



- Super silent "Click" (only 68dB)
- 20x quieter than PB4067

**LED Ring Series**



- Add fancy effect to effect unit
- Dual color switching

**PB4066C**



- Button for Tact switch on PCB
- Space and Cost saving

**PED 801 Series**



- Sturdy all metal design with quality coating
- Customized printing / Logo

# Classic Stomp Foot Pedal Switches

Class design, quality and sturdy build since 1990



**PB4067**



**PB4068**

- Lathe processed body and post with <0.05mm tolerance
- High Performance Thermoplastic PPS housing (UL94V0 - does not deform when soldering)
- Smooth, stable and durable transition (50,000+ electrical life)
- Solid Epoxy Pre-form for consistent potting quality



## PB4166 – Upgraded DPDT Switches

Multiple Upgraded from the classic PB4066 (2018 debut)



- High Performance Thermoplastic PPS housing (UL94V0 - does not deform when soldering) replacing PA66 housing
- Outward riveting terminals for better secured terminals
- Upgraded conductivity, heat resistance, and electrical life
- Dimensions / Footprint identical to original PB4066

## PB417x – Super Silent “Gentle” Click Design

Revolutionary “Gentle” click Design – allowing 20x quieter ON-ON switching

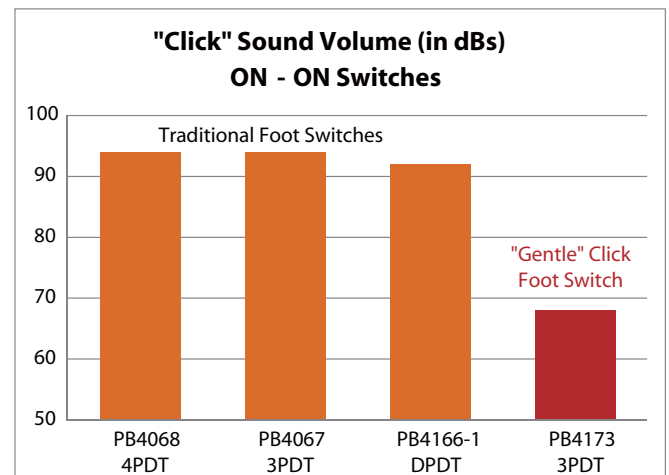
**PATENTED**  
Pending



- Re-engineered structure allowing “Gentle” and much quieter ON-ON transition
- Avoid annoying “clicking” when recording
- Patent pending in Taiwan / China
- Dimensions / Footprint identical to original PB4067
- All other features comparable to PB4067
- DPDT version under developing

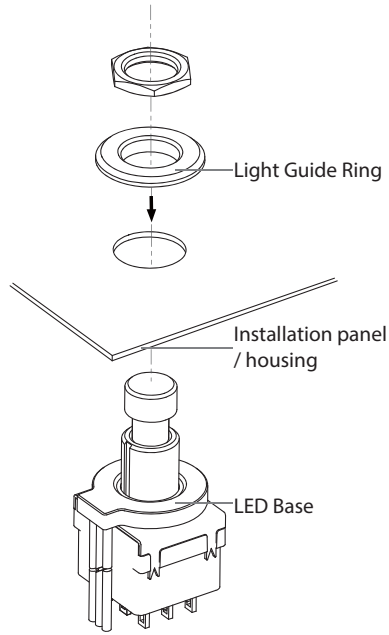
PB4067 Regular Model

PB4173 “Gentle-Click”



## PB4xxxL – Guitar Foot Switch with LED Rings

Add a little fancy LED Ring effect for your beloved units!



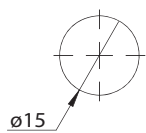
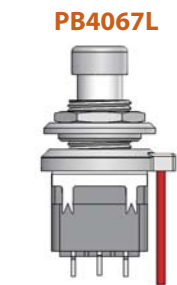
- LED Ring for all PB406x series
- Uniform spread of light effect
- Dual color available
- Colors available: Red, Blue, Green, Amber, Pink



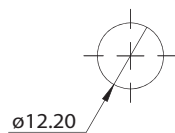
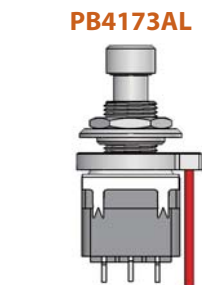
## PB4173AL – “Gentle Click” switch with LED Ring Narrow body



- Specially made narrow body to fit the original  $\varnothing 12\text{mm}$  mounting hole
- Seamless upgrade to original product without LED
- Re-engineered structure allowing “Gentle” and much quieter ON-ON transition
- Avoid annoying “clicking” when recording



※ Panel Thickness:  
0.8 - 3.0mm



※ Panel Thickness:  
0.8 - 3.0mm

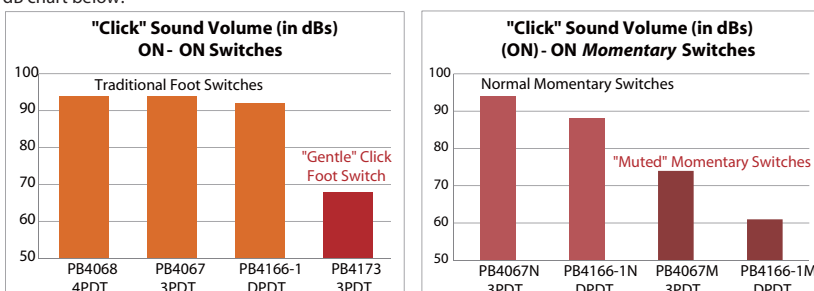
## Guitar Foot Switch Selection Guide

Model#	PB4066 / PB4066-1	PB4066M / PB4066-1M	PB4166 / PB4166-1	PB4166M / PB4166-1M	PB4166N / PB4166-1N
Photo			New	New	New
Positions	SPDT / DPDT	SPDT / DPDT	SPDT / DPDT	SPDT / DPDT	SPDT / DPDT
Function	ON-ON	(ON)-ON Momentary	ON-ON	(ON)-ON Momentary	(ON)-ON Momentary
Terminals	Solder Terminals	Solder Terminals	Solder Terminals PC Terminals (+“P”)	Solder Terminals PC Terminals (+“P”)	Solder Terminals PC Terminals (+“P”)
Note	PC pins version replaced by PB4166P	PC pins version replaced by PB4166P	PB4066 Upgrade**	PB4066 Upgrade** “Muted” switching***	PB4066 Upgrade** “Click” switching***
Model#	PB4067	PB4067M	PB4068	PB4173	PB4066C
Photo				New  PATENT Pending	
Positions	3PDT	3PDT	4PDT	3PDT	-
Function	ON-ON	(ON)-ON Momentary	ON-ON	ON-ON	-
Note	Epoxy potted pins	“Muted” switching*** Epoxy potted pins	Epoxy potted pins	Super silent “Gentle” click Patent pending NEW design Epoxy potted pins	Button for use with Tact switch
Model#	PB4166L	PB4067L	PB4173L	PB4173AL	PB4066CAL
Photo	New	New	New	New	New
Mounting					
LED	Dual LED Colors: Red(R), Blue(B), Green(G), Amber(A), Pink(P)				
Note	Foot switch with LED light ring (DPDT)	Foot switch with LED light ring (3PDT)	Foot switch with LED light ring (3PDT-“Gentle” click)	ø12mm hole, allowing seamless upgrade from original PB4067	ø12mm hole, allowing seamless upgrade from original PB4066C

\* All models also available in PC terminals, add surfix “P” for PC terminal models (e.g. PB4067P)

\*\* PB4166 is upgrade version of old PB4066, upgrades include housing material, conductivity and electrical life.

\*\*\* “Muted” switching is specially designed silent switch (for momentary (ON)-ON only); PB4173 is the only switch with silent ON-ON alternate (non-momentary) switching. See dB chart below:





- Compact size – ideal for telecom, instruments and medical devices
- Multi-pole and multi-positions models available
- Various configurations of actuators and terminals for all applications
- RoHS Compliant & UL Recognized

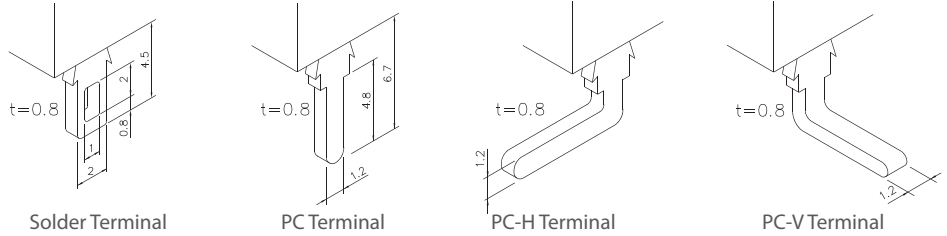
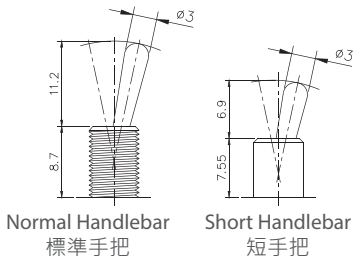
MT	1031	P	M
Switch Type	Serial No.	Terminal Type	Momentary
Miniature Toggle Switch	1021 - 1082	Solder Terminal P PC Terminal H PC-H Terminal V PC-V Terminal	No Momentary M (ON)-OFF/(ON)-ON M1 (ON)-OFF-ON M2 (ON)-OFF-(ON)

Rating	AC 125V 6A 250V 3A
Contact R.	20mΩ Max.
Insulation R. .	DC 500V 100MΩ Min.
Dielectric Strength	AC 1500V 1 Min.
Electrical Life	50,000 make and break cycles at full load

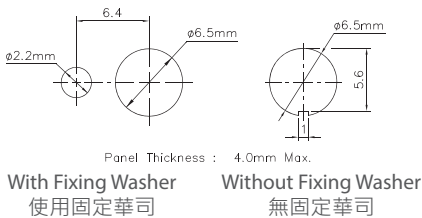
SPST 單極單切：Single Pole Single Throw  
DPDT 雙極雙切：Double Pole Double Throw

## Handlebar 手把

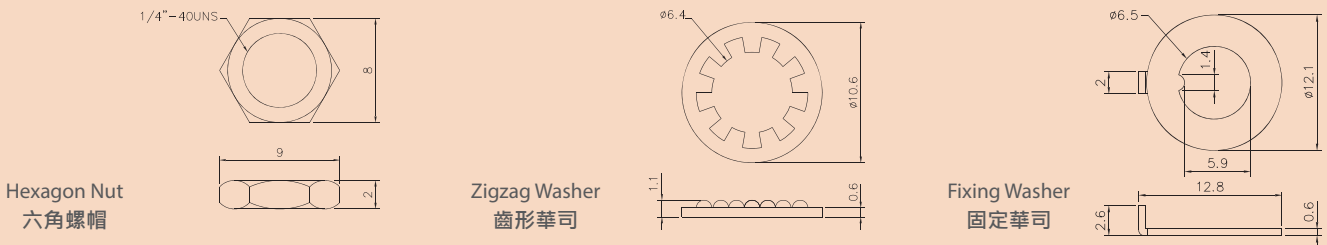
## Terminal Specification 端子規格



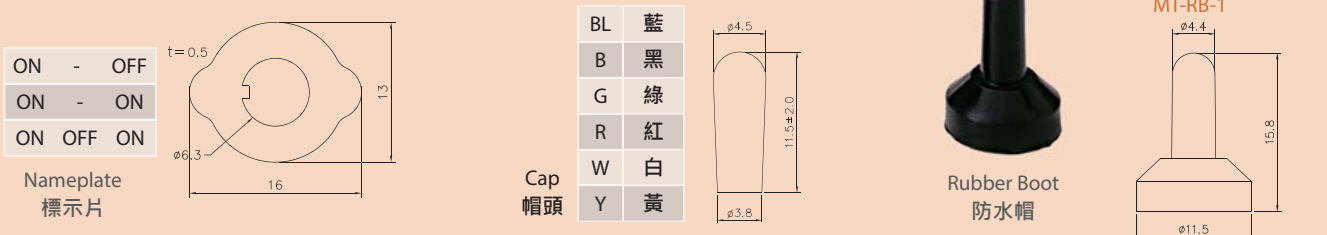
## Panel cut-out 裝配孔



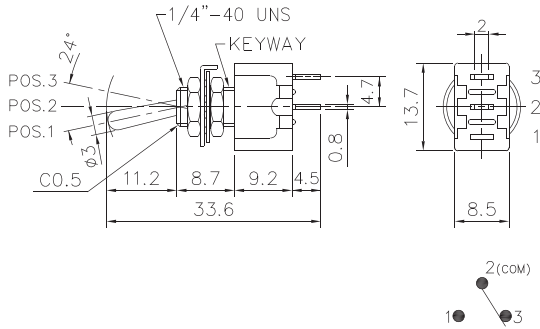
## Standard Accessories 標準配件



## Optional Accessories 選購配件

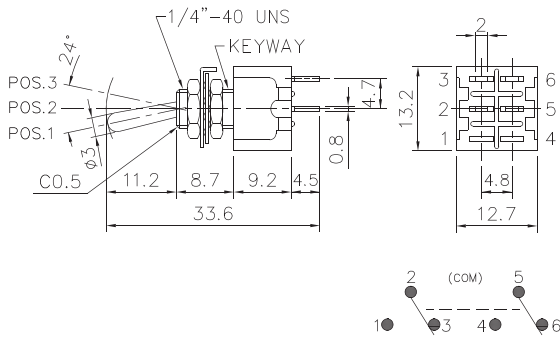






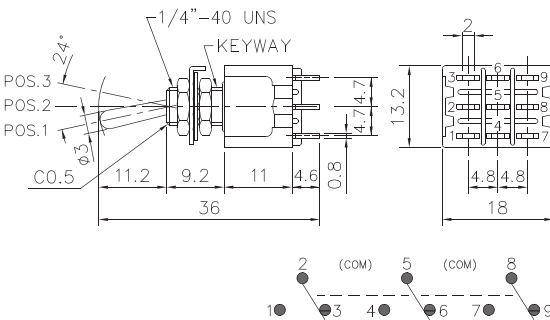
Model No. 編號	Type 極性	Terminal Quantity 端子數	Switch Function 電路特性			Connected Terminals 連接端子		
			Pos.1 KEYWAY	Pos.2 KEYWAY	Pos.3 KEYWAY	Pos.1 KEYWAY	Pos.2 KEYWAY	Pos.3 KEYWAY
MT-1021	SPST	2P	ON	-	OFF	2-3	-	-
MT-1031	SPDT	3P	ON	-	ON			
MT-1031M	SPDT	3P	(ON)	-	ON			
MT-1032	SPDT	3P	ON	OFF	ON	2-3	-	1-2
MT-1032M1	SPDT	3P	(ON)	OFF	ON			
MT-1032M2	SPDT	3P	(ON)	OFF	(ON)			

(ON) Momentary 彈回

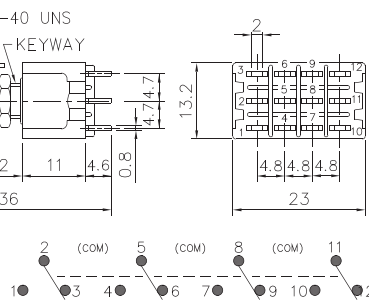


Model No. 編號	Type 極性	Terminal Quantity 端子數	Switch Function 電路特性			Connected Terminals 連接端子		
			Pos.1 KEYWAY	Pos.2 KEYWAY	Pos.3 KEYWAY	Pos.1 KEYWAY	Pos.2 KEYWAY	Pos.3 KEYWAY
MT-1041	DPST	4P	ON	-	OFF	2-3 5-6	-	-
MT-1061	DPDT	6P	ON	-	ON			
MT-1061M	DPDT	6P	(ON)	-	ON	2-3	-	1-2
MT-1062	DPDT	6P	ON	OFF	ON	5-6	-	
MT-1062M1	DPDT	6P	(ON)	OFF	ON	4-5-		
MT-1062M2	DPDT	6P	(ON)	OFF	(ON)			

(ON) Momentary 彈回

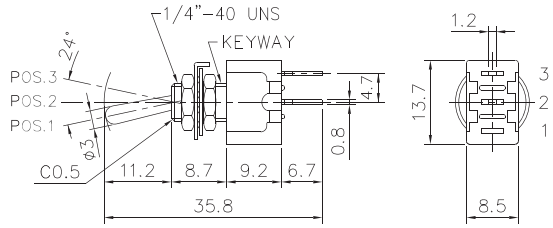


Model No. 編號	Type 極性	Terminal Quantity 端子數	Switch Function 電路特性			Connected Terminals 連接端子		
			Pos.1 KEYWAY	Pos.2 KEYWAY	Pos.3 KEYWAY	Pos.1 KEYWAY	Pos.2 KEYWAY	Pos.3 KEYWAY
MT-1071	3PDT	9P	ON	-	ON	2-3	-	1-2
MT-1072	3PDT	9P	ON	OFF	ON	5-6 8-9	-	4-5 7-8



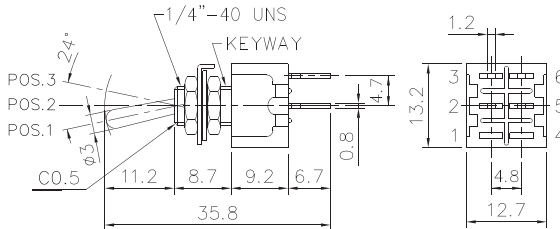
Model No. 編號	Type 極性	Terminal Quantity 端子數	Switch Function 電路特性			Connected Terminals 連接端子		
			Pos.1 KEYWAY	Pos.2 KEYWAY	Pos.3 KEYWAY	Pos.1 KEYWAY	Pos.2 KEYWAY	Pos.3 KEYWAY
MT-1081	4PDT	12P	ON	-	ON	2-3 5-6	-	1-2 4-5
MT-1082	4PDT	12P	ON	OFF	ON	8-9 11-12	-	7-8 10-11





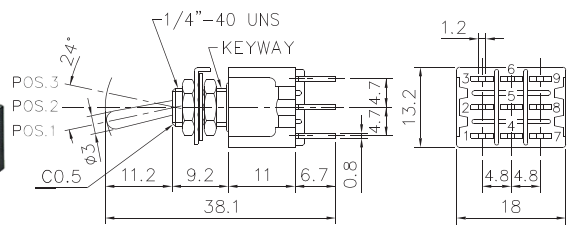
Model No. 編號	Type 極性	Terminal Quantity 端子數	Switch Function 電路特性			Connected Terminals 連接端子		
			Pos.1 KEYWAY	Pos.2 KEYWAY	Pos.3 KEYWAY	Pos.1 KEYWAY	Pos.2 KEYWAY	Pos.3 KEYWAY
MT-1021P	SPST	2P	ON	-	OFF	2-3	-	-
MT-1031P	SPDT	3P	ON	-	ON			
MT-1031PM	SPDT	3P	(ON)	-	ON			
MT-1032P	SPDT	3P	ON	OFF	ON	2-3	-	1-2
MT-1032PM1	SPDT	3P	(ON)	OFF	ON			
MT-1032PM2	SPDT	3P	(ON)	OFF	(ON)			

(ON) Momentary 彈回

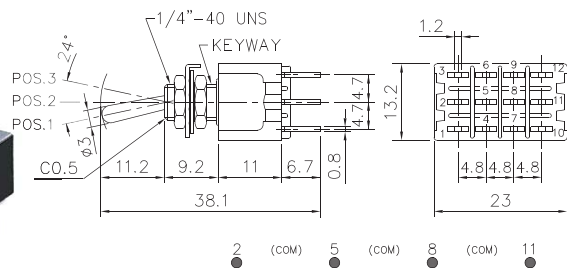


Model No. 編號	Type 極性	Terminal Quantity 端子數	Switch Function 電路特性			Connected Terminals 連接端子		
			Pos.1 KEYWAY	Pos.2 KEYWAY	Pos.3 KEYWAY	Pos.1 KEYWAY	Pos.2 KEYWAY	Pos.3 KEYWAY
MT-1041P	DPST	4P	ON	-	OFF	2-3 5-6	-	-
MT-1061P	DPDT	6P	ON	-	ON			
MT-1061PM	DPDT	6P	(ON)	-	ON	2-3	-	1-2
MT-1062P	DPDT	6P	ON	OFF	ON	5-6	-	4-5
MT-1062PM1	DPDT	6P	(ON)	OFF	ON			
MT-1062PM2	DPDT	6P	(ON)	OFF	(ON)			

(ON) Momentary 彈回

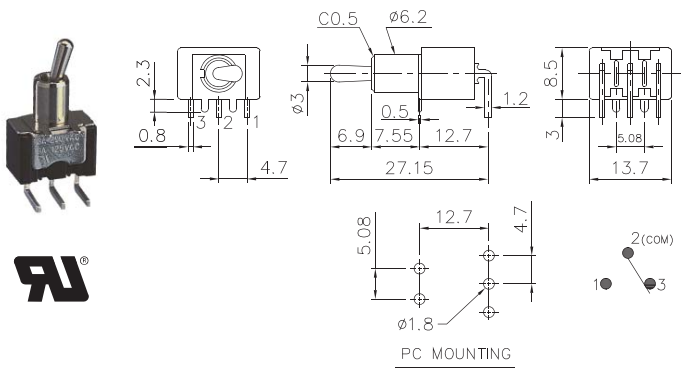


Model No. 編號	Type 極性	Terminal Quantity 端子數	Switch Function 電路特性			Connected Terminals 連接端子		
			Pos.1 KEYWAY	Pos.2 KEYWAY	Pos.3 KEYWAY	Pos.1 KEYWAY	Pos.2 KEYWAY	Pos.3 KEYWAY
MT-1071P	3PDT	9P	ON	-	ON	2-3 5-6	-	1-2 4-5
MT-1072P	3PDT	9P	ON	OFF	ON	8-9	-	7-8

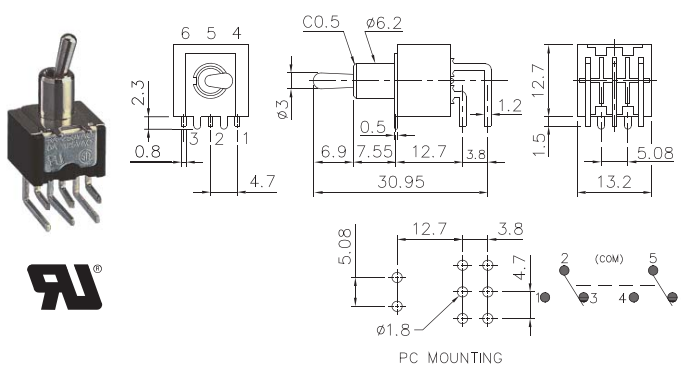


Model No. 編號	Type 極性	Terminal Quantity 端子數	Switch Function 電路特性			Connected Terminals 連接端子		
			Pos.1 KEYWAY	Pos.2 KEYWAY	Pos.3 KEYWAY	Pos.1 KEYWAY	Pos.2 KEYWAY	Pos.3 KEYWAY
MT-1081P	4PDT	12P	ON	-	ON	2-3 5-6	-	1-2 4-5
MT-1082P	4PDT	12P	ON	OFF	ON	8-9 11-12	-	7-8 10-11

PC-H Terminal

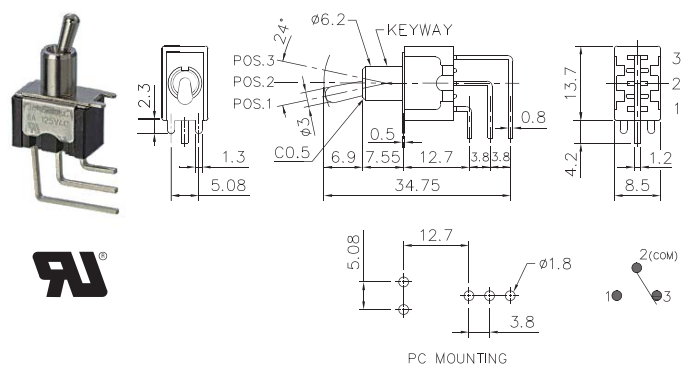


Model No. 編號	Type 極性	Terminal Quantity 端子數	Switch Function 電路特性			Connected Terminals 連接端子		
			Pos.1 KEYWAY	Pos.2 KEYWAY	Pos.3 KEYWAY	Pos.1 KEYWAY	Pos.2 KEYWAY	Pos.3 KEYWAY
MT-1031H	SPDT	3P	ON	-	ON	2-3	-	1-2
MT-1032H	SPDT	3P	ON	OFF	ON	2-3	-	1-2

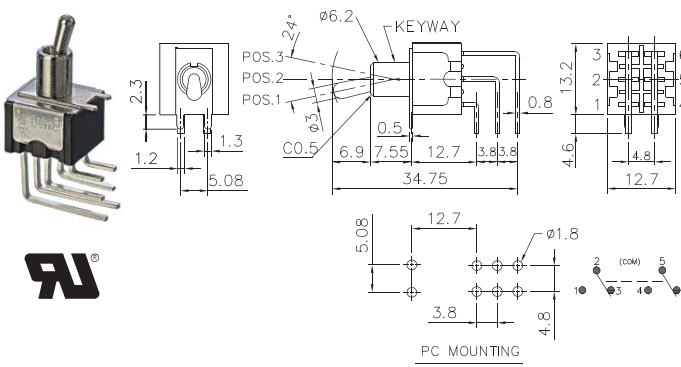


Model No. 編號	Type 極性	Terminal Quantity 端子數	Switch Function 電路特性			Connected Terminals 連接端子		
			Pos.1 KEYWAY	Pos.2 KEYWAY	Pos.3 KEYWAY	Pos.1 KEYWAY	Pos.2 KEYWAY	Pos.3 KEYWAY
MT-1061H	DPDT	6P	ON	-	ON	2-3	-	1-2
MT-1062H	DPDT	6P	ON	OFF	ON	5-6	-	4-5

PC-V Terminal



Model No. 編號	Type 極性	Terminal Quantity 端子數	Switch Function 電路特性			Connected Terminals 連接端子		
			Pos.1 KEYWAY	Pos.2 KEYWAY	Pos.3 KEYWAY	Pos.1 KEYWAY	Pos.2 KEYWAY	Pos.3 KEYWAY
MT-1031V	SPDT	3P	ON	-	ON	2-3	-	1-2
MT-1032V	SPDT	3P	ON	OFF	ON	2-3	-	1-2



Model No. 編號	Type 極性	Terminal Quantity 端子數	Switch Function 電路特性			Connected Terminals 連接端子		
			Pos.1 KEYWAY	Pos.2 KEYWAY	Pos.3 KEYWAY	Pos.1 KEYWAY	Pos.2 KEYWAY	Pos.3 KEYWAY
MT-1061V	DPDT	6P	ON	-	ON	2-3	-	1-2
MT-1062V	DPDT	6P	ON	OFF	ON	5-6	-	4-5

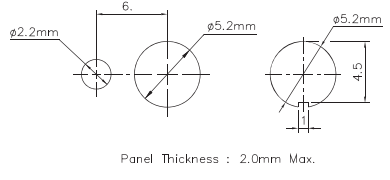
# Sub-Miniature Toggle Switch

# 超迷你搖頭開關

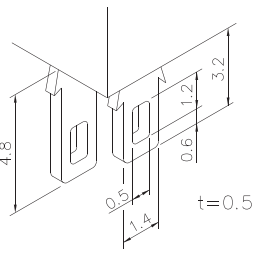


- Even Smaller – 33% smaller than the Miniature Toggle Switch Series
- RoHS Compliant

## Panel cut-out 裝配孔

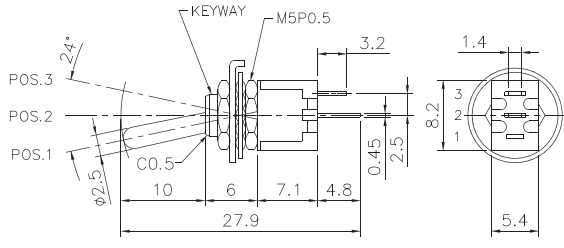
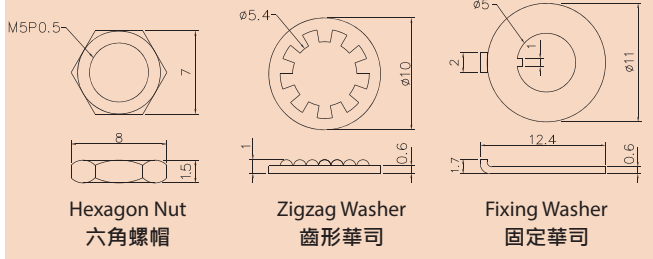


## Solder Terminal 焊接端子

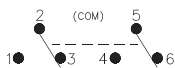
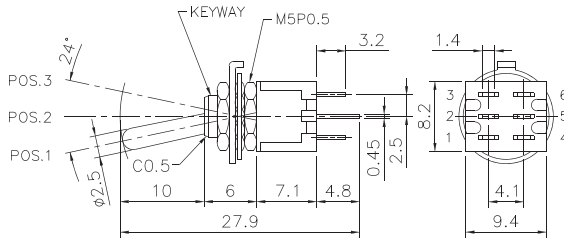


Rating	AC 125V 3A / 250V 1A
Contact R.	20mΩ Max.
Insulation R.	DC 500V 100MΩ Min.
Dielectric Strength	AC 1500V 1 Min.
Electrical Life	20,000 make and break cycles at full load

## Standard Accessories 標準配件



Model No. 編號	Type 極性	Terminal Quantity 端子數	Switch Function 電路特性			Connected Terminals 連接端子		
			Pos.1 KEYWAY	Pos.2 KEYWAY	Pos.3 KEYWAY	Pos.1 KEYWAY	Pos.2 KEYWAY	Pos.3 KEYWAY
MT-1121	SPST	2P	ON	-	OFF	2-3	-	-
MT-1131	SPDT	3P	ON	-	ON	2-3	-	1-2



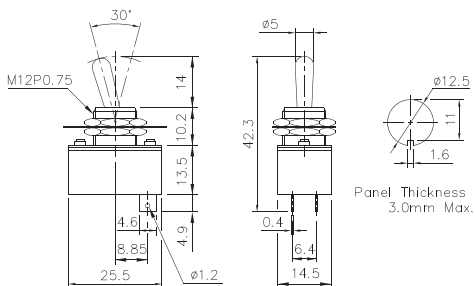
Model No. 編號	Type 極性	Terminal Quantity 端子數	Switch Function 電路特性			Connected Terminals 連接端子		
			Pos.1 KEYWAY	Pos.2 KEYWAY	Pos.3 KEYWAY	Pos.1 KEYWAY	Pos.2 KEYWAY	Pos.3 KEYWAY
MT-1161	DPST	6P	ON	-	ON	2-3 5-6	-	1-2 4-5

# General Toggle Switch

# 搖頭開關

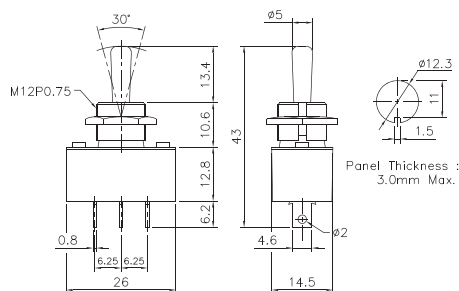


- Classic toggle switch design
- Available in various shapes, ratings and switch functions
- See each model for detail specifications



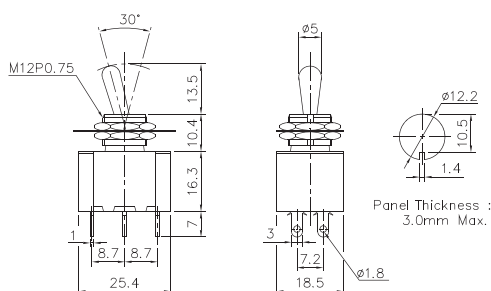
Model No. 編號	Type 極性	Terminal Quantity 端子數	Switch Function 電路特性			Rating 電氣範圍
T-1219	SPST	2P	ON	-	OFF	AC 125V 4A
T-1220	SPDT	4P	ON	-	ON	AC 250V 2A

- short and small terminals
- terminals located on the same side

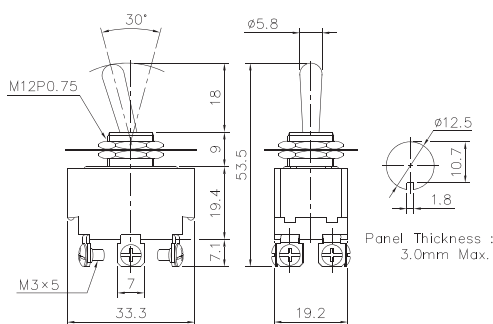


Model No. 編號	Type 極性	Terminal Quantity 端子數	Switch Function 電路特性			Rating 電氣範圍
T-1221	SPDT	3P	ON	OFF	ON	AC 125V 6A AC 250V 3A

- short switch body and terminals



Model No. 編號	Type 極性	Terminal Quantity 端子數	Switch Function 電路特性			Rating 電氣範圍
T-1222	DPDT	6P	ON	-	ON	AC 125V 6A AC 250V 3A

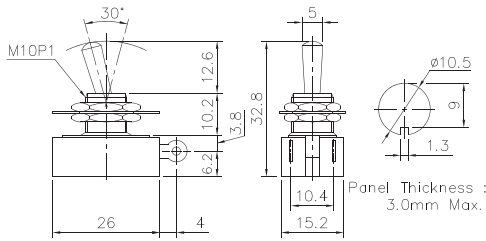


Model No. 編號	Type 極性	Terminal Quantity 端子數	Switch Function 電路特性			Rating 電氣範圍
T-1223	DPDT	6P	ON	-	ON	AC 125V 10A AC 250V 6A
T-1224	DPDT	6P	ON	OFF	ON	
T-1224P	DPDT	6P	ON	OFF	ON	

- "P" with PC terminals

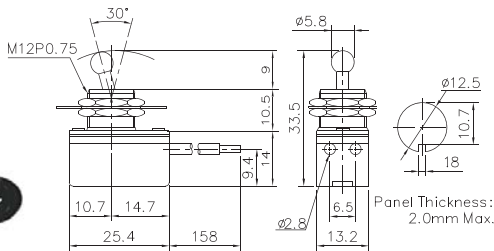


**T-RB-2**  
Rubber Boot for T-1225  
專屬防水帽



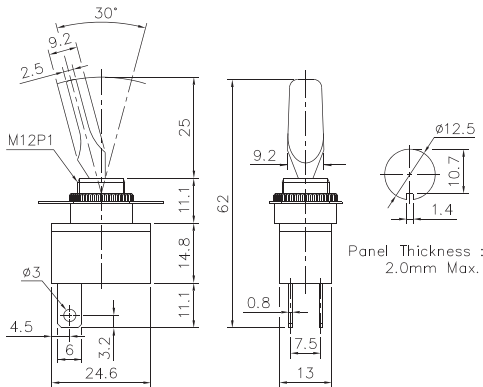
Model No. 編號	Type 極性	Terminal Quantity 端子數	Switch Function 電路特性			Rating 電氣範圍
T-1225	SPST	2P	ON	-	OFF	AC 125V 3A AC 250V 1A

- terminals located on the side
- water-resistant rubber boot available



Model No. 編號	Type 極性	Terminal Quantity 端子數	Switch Function 電路特性			Rating 電氣範圍
T-1226	SPST	2P	ON	-	OFF	AC 125V 6A AC 250V 3A

- pre-wired for better sealing
- wire length: 6"



Model No. 編號	Type 極性	Terminal Quantity 端子數	Switch Function 電路特性			Rating 電氣範圍
T-1227	SPST	2P	ON	-	OFF	AC 125V 3A AC 250V 1A

- Contact R. 接觸電阻 | DC 2.5V 1A 50mΩ Max.
- Insulation R. 絕緣電阻 | DC 500V 100MΩ Min.
- Dielectric Strength 耐電壓 | AC 1500V 1minute
- Electrical Life 電氣壽命 | 20,000 make and break cycles at full load

T-1228

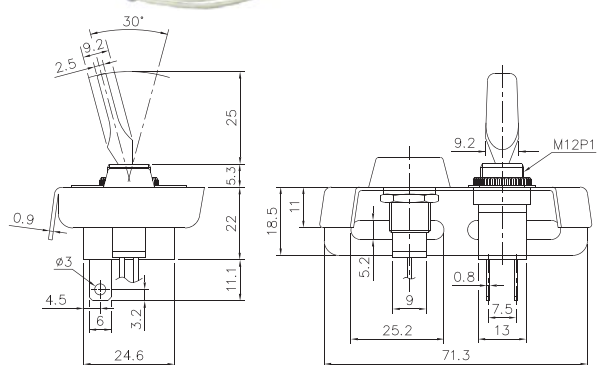
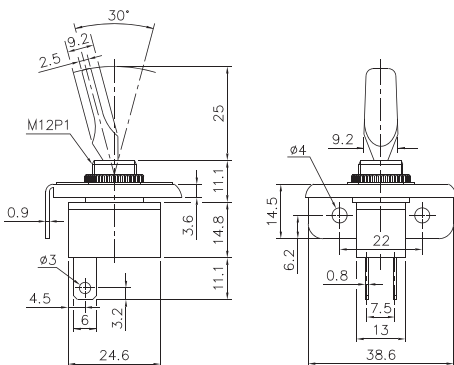


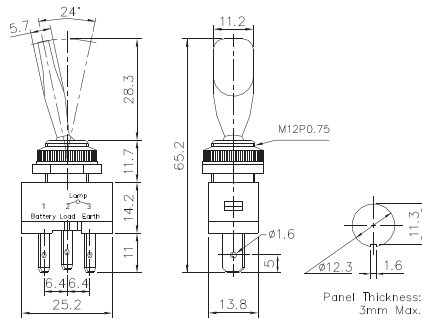
T1227 with mounting panel

T-1229



T1227 with mounting panel and lamp





Model No. 編號	Type 極性	Terminal Quantity 端子數	Switch Function 電路特性			Rating 電氣範圍
IR-2305	SPST	3P	ON	-	OFF	AC 12V 6A

illuminated switch

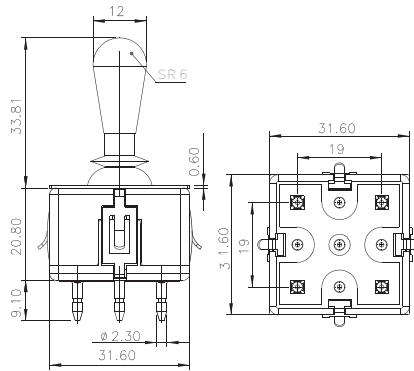
■ toggle color: red/ green/ blue/ amber

### T-1401

4 Direction Joystick Switch (Momentary)

### T-1402

8 Direction Joystick Switch (Momentary)



Rating	AC 125V 15A / 250V 10A
Contact R.	50mΩ Max.
Insulation R.	DC 500V 100MΩ Min.
Dielectric Strength	AC 1500V 1 Min.
Electrical Life	6,000 make and break cycles at full load





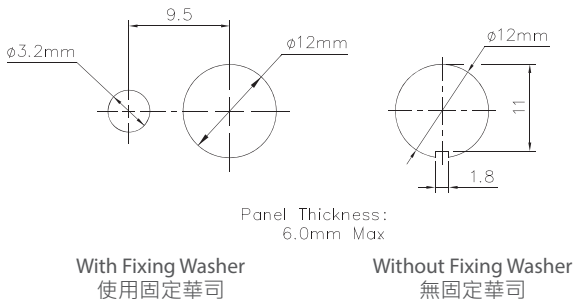
- Current rating up to 15A (@ 125V AC)
- Robust and durable toggle design
- Series-specific nameplates and rubber boot available

T	1325	P	M
Switch Type	Serial No.	Terminal Type	Momentary
Toggle Switch (Heavy Duty)	1325 - 1331	Solder Terminal <b>P</b> PC Terminal	No Momentary <b>M</b> (ON)-OFF/(ON)-ON <b>M1</b> (ON)-OFF-ON <b>M2</b> (ON)-OFF-(ON)

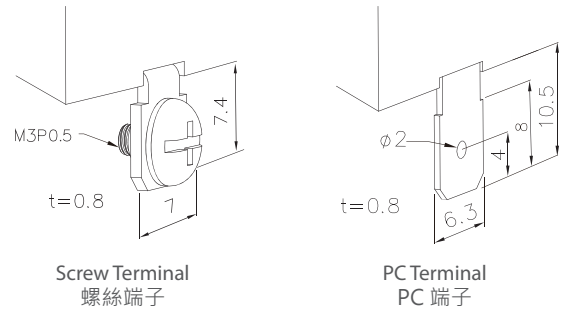
SPST 單極單切：Single Pole Single Throw  
DPDT雙極雙切：Double Pole Double Throw

Rating	AC 125V 15A 250V 10A
Contact R.	50mΩ Max.
Insulation R. .	DC 500V 100MΩ Min.
Dielectric Strength	AC 1500V 1 Min.
Electrical Life	50,000 make and break cycles at full load

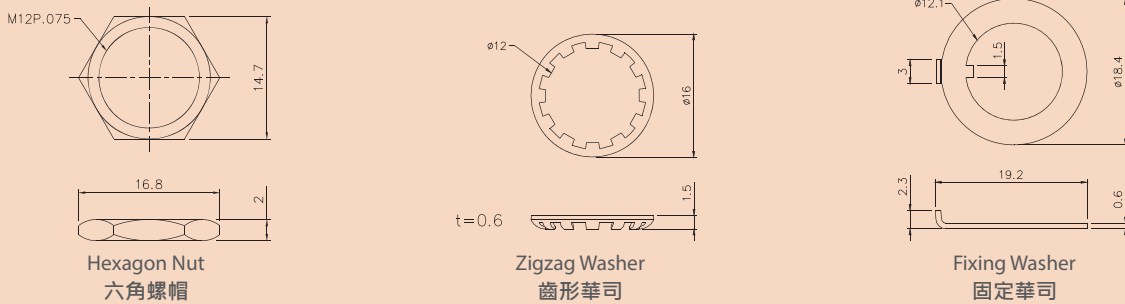
## Panel cut-out 裝配孔



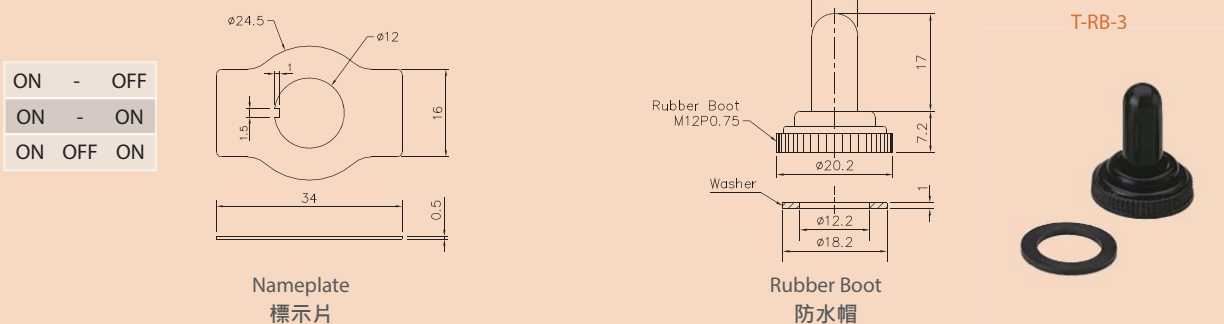
## Terminal Specification 端子規格

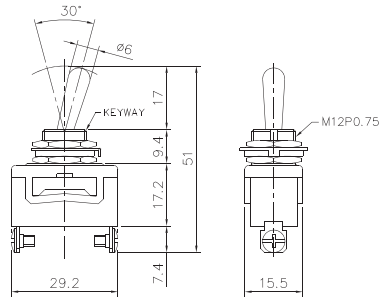


## Standard Accessories 標準配件



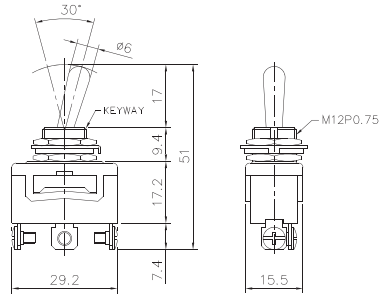
## Optional Accessories 選購配件





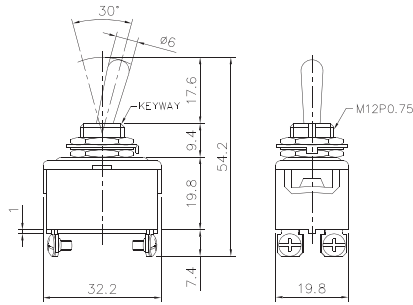
Model No. 編號	Type 極性	Terminal Quantity 端子數	Switch Function 電路特性		
T-1325	SPST	2P	ON	-	OFF
T-1325M	SPST	2P	(ON)	-	OFF

(ON) Momentary 彈回



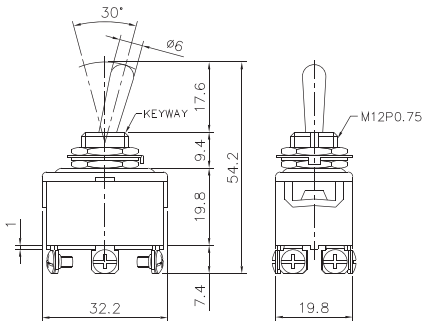
Model No. 編號	Type 極性	Terminal Quantity 端子數	Switch Function 電路特性		
T-1326	SPDT	3P	ON	-	ON
T-1326M	SPDT	3P	(ON)	-	ON
T-1327	SPDT	3P	ON	OFF	ON
T-1327M1	SPDT	3P	(ON)	OFF	ON
T-1327M2	SPDT	3P	(ON)	OFF	(ON)

(ON) Momentary 彈回



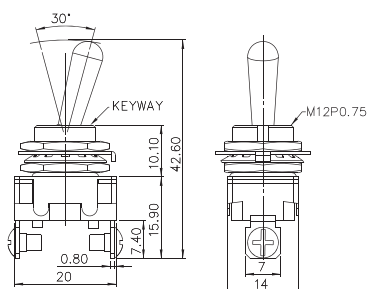
Model No. 編號	Type 極性	Terminal Quantity 端子數	Switch Function 電路特性		
T-1328	DPST	4P	ON	-	OFF
T-1328M	DPST	4P	(ON)	-	OFF

(ON) Momentary 彈回



Model No. 編號	Type 極性	Terminal Quantity 端子數	Switch Function 電路特性		
T-1329	DPDT	6P	ON	-	ON
T-1329M	DPDT	6P	(ON)	-	ON
T-1330	DPDT	6P	ON	OFF	ON
T-1330M1	DPDT	6P	(ON)	OFF	ON
T-1330M2	DPDT	6P	(ON)	OFF	(ON)

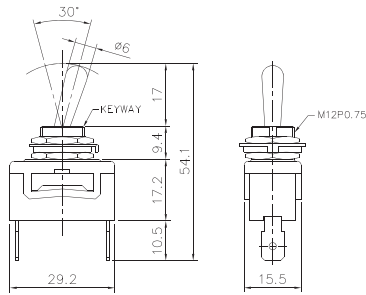
(ON) Momentary 彈回



Model No. 編號	Type 極性	Terminal Quantity 端子數	Switch Function 電路特性		
T-1331	SPST	2P	ON	-	OFF
T-1331M	SPST	2P	(ON)	-	OFF

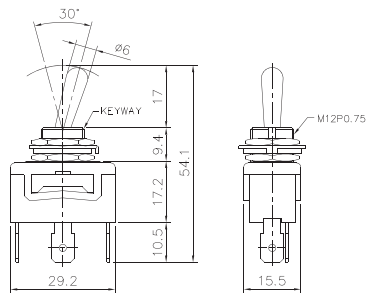
(ON) Momentary 彈回

■ short switch body



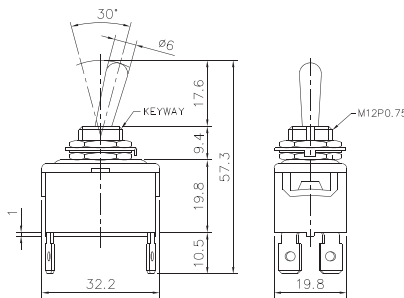
Model No. 編號	Type 極性	Terminal Quantity 端子數	Switch Function 電路特性		
			ON	-	OFF
T-1325P	SPST	2P	ON	-	OFF
T-1325PM	SPST	2P	(ON)	-	OFF

(ON) Momentary 彈回



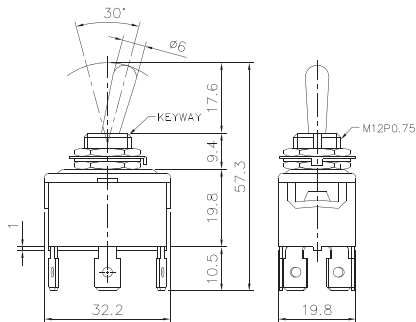
Model No. 編號	Type 極性	Terminal Quantity 端子數	Switch Function 電路特性		
			ON	-	ON
T-1326P	SPDT	3P	ON	-	ON
T-1326PM	SPDT	3P	(ON)	-	ON
T-1327P	SPDT	3P	ON	OFF	ON
T-1327PM1	SPDT	3P	(ON)	OFF	ON
T-1327PM2	SPDT	3P	(ON)	OFF	(ON)

(ON) Momentary 彈回



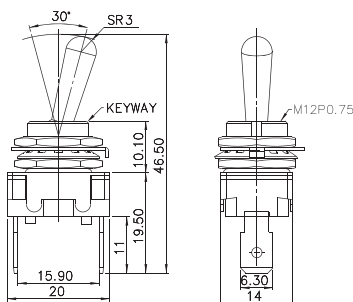
Model No. 編號	Type 極性	Terminal Quantity 端子數	Switch Function 電路特性		
			ON	-	OFF
T-1328P	DPST	4P	ON	-	OFF
T-1328PM	DPST	4P	(ON)	-	OFF

(ON) Momentary 彈回



Model No. 編號	Type 極性	Terminal Quantity 端子數	Switch Function 電路特性		
			ON	-	ON
T-1329P	DPDT	6P	ON	-	ON
T-1329PM	DPDT	6P	(ON)	-	ON
T-1330P	DPDT	6P	ON	OFF	ON
T-1330PM1	DPDT	6P	(ON)	OFF	ON
T-1330PM2	DPDT	6P	(ON)	OFF	(ON)

(ON) Momentary 彈回



Model No. 編號	Type 極性	Terminal Quantity 端子數	Switch Function 電路特性		
			ON	-	OFF
T-1331P	SPST	2P	ON	-	OFF
T-1331PM	SPST	2P	(ON)	-	OFF

(ON) Momentary 彈回

■ short switch body

# Miniature Rocker Switch

# 迷你切換開關

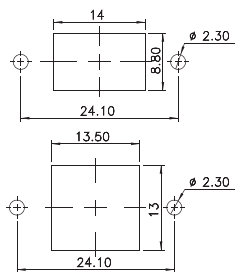


- Compact size – rocker actuator version of the popular MT series
- Multi-pole and multi-positions models available
- Panel mounting or PCB soldering
- RoHS Compliant

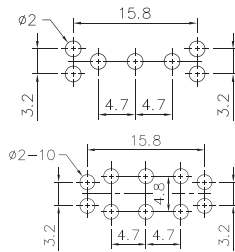
MR	2021	P
Switch Type	Serial No.	Terminal Type
Miniature Rocker Switch	2021 -	Solder Terminal P PC Terminal
	2062	

Rating	AC 125V 6A / 250V 3A
Contact R.	20mΩ Max.
Insulation R.	DC 500V 100MΩ Min.
Dielectric Strength	AC 1500V 1 Min.
Electrical Life	50,000 make and break cycles at full load

## Panel cut-out 裝配孔

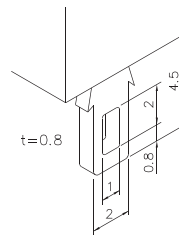


With Fixing Washer  
使用固定華司

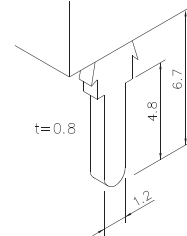


Without Fixing Washer  
無固定華司

## Terminal Specification 端子規格

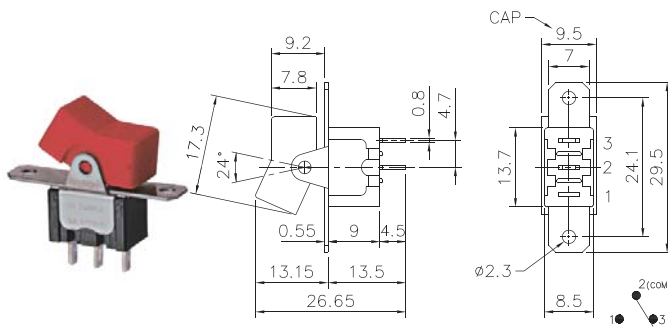


Screw Terminal  
焊接端子

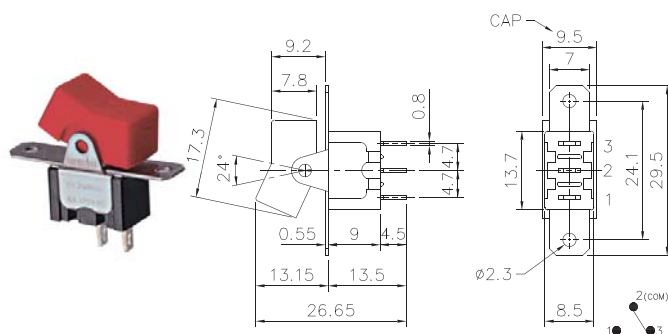


PC Terminal  
PC 端子

## Solder Terminal



Model No. 編號	Type 極性	Terminal Quantity 端子數	Switch Function 電路特性			Connected Terminals 連接端子		
			Down	Center	Up	Down	Center	Up
MR-2021	SPST	2P	ON	-	OFF	2-3	-	-



Model No. 編號	Type 極性	Terminal Quantity 端子數	Switch Function 電路特性			Connected Terminals 連接端子		
			Down	Center	Up	Down	Center	Up
MR-2031	SPDT	3P	ON	-	ON	2-3	-	1-2
MR-2032	SPDT	3P	ON	OFF	ON	2-3	-	1-2



# Rocker Switch

# 切換開關

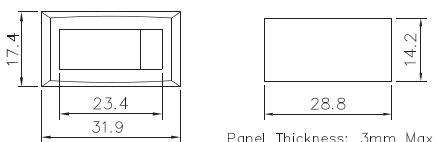


- Available in various shapes, ratings and switch functions
- See each model for detail specifications

<b>R</b>	<b>2101</b>	<b>N</b>	<b>M</b>
Switch Type	Serial No.	Switch Function	Momentary
<b>R</b> Rocker Switch	2101-2142	ON-OFF	No Momentary
<b>IR</b> Illuminated Rocker Switch	2301-2334	<b>N</b> ON-ON <b>F</b> ON-OFF-ON	<b>M</b> (ON)-OFF/(ON)-ON <b>M1</b> (ON)-OFF-ON <b>M2</b> (ON)-OFF-(ON)

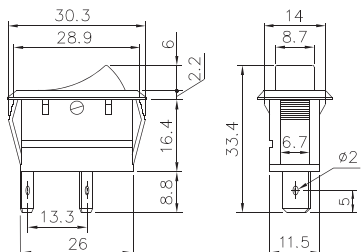
SPST 單極單切：Single Pole Single Throw  
DPDT 雙極雙切：Double Pole Double Throw

## R-2101



Panel Thickness: 3mm Max.

## IR-2301

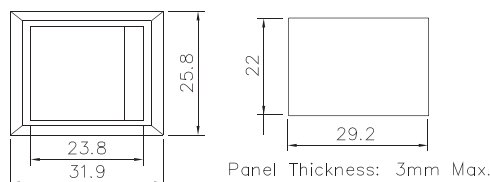


Model No. 編號	Type 極性	Terminal Quantity 端子數	Switch Function 電路特性	Rating 電氣範圍
R-2101	SPST	2P	ON - OFF	AC 125V 16A AC 250V 10A
R-2101N	SPDT	3P	ON - ON	
R-2101F	SPDT	3P	ON OFF ON	
IR-2301	SPST	3P	ON - OFF	

illuminated switch

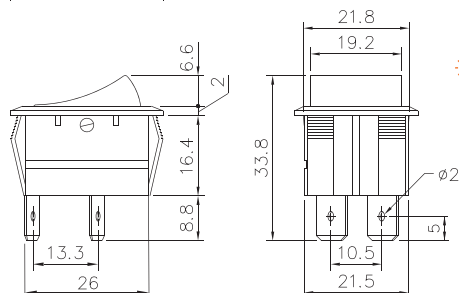
- switch body: available in black/white
- actuator color for R-2101: red/ white/ black
- actuator color for IR-2301: red/ yellow

## R-2104



Panel Thickness: 3mm Max.

## IR-2306

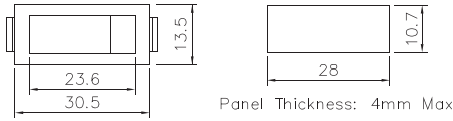


Model No. 編號	Type 極性	Terminal Quantity 端子數	Switch Function 電路特性	Rating 電氣範圍
R-2104	DPST	4P	ON - OFF	AC 125V 16A AC 250V 10A
R-2104N	DPDT	6P	ON - ON	
R-2104F	DPDT	6P	ON OFF ON	
IR-2306	DPST	4P	ON - OFF	
IR-2306N	DPDT	6P	ON - ON	

illuminated switch



R-2110

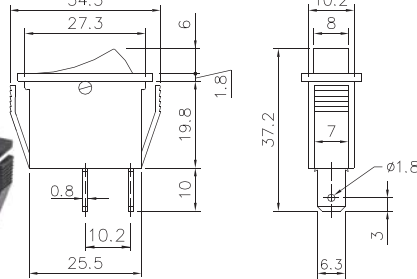


Panel Thickness: 4mm Max

IR-2302



IR-2302A

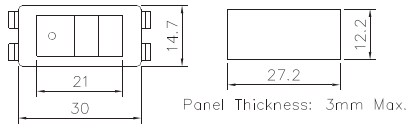


Model No. 編號	Type 極性	Terminal Quantity 端子數	Switch Function 電路特性			Rating 電氣範圍
			ON	-	OFF	
R-2110	SPST	2P	ON	-	OFF	AC 125V 16A AC 250V 10A
R-2110N	SPDT	3P	ON	-	ON	
R-2110F	SPDT	3P	ON	OFF	ON	
IR-2302	SPST	3P	ON	-	OFF	
IR-2302A	SPST	3P	ON	-	OFF	

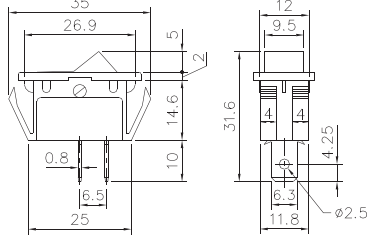


☀ illuminated switch

- switch body: available in black/white
- actuator color for R-2110: red/ white/ black
- actuator color for IR-2302: red/ yellow

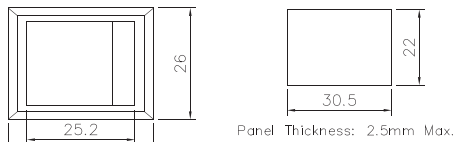


Panel Thickness: 3mm Max.

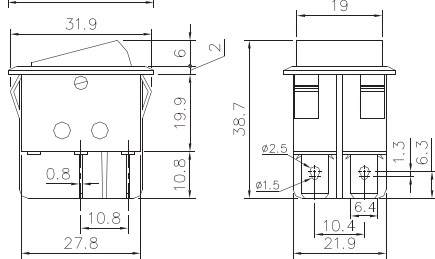


Model No. 編號	Type 極性	Terminal Quantity 端子數	Switch Function 電路特性			Rating 電氣範圍
			ON	-	OFF	
R-2111	SPST	2P	ON	-	OFF	AC 125V 6A AC 250V 3A
R-2111N	SPDT	3P	ON	-	ON	

R-2112



Panel Thickness: 2.5mm Max.



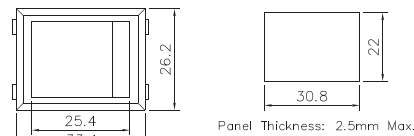
IR-2315



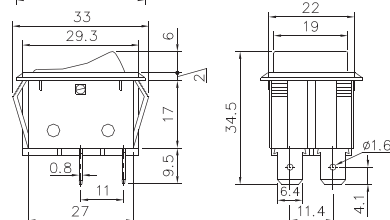
☀ illuminated switch

Model No. 編號	Type 極性	Terminal Quantity 端子數	Switch Function 電路特性			Rating 電氣範圍
			ON	-	OFF	
R-2112	DPST	4P	ON	-	OFF	AC 125V 16A AC 250V 10A
R-2112M	DPST	4P	(ON)	-	OFF	
R-2112N	DPDT	6P	ON	-	ON	
R-2112NM	DPDT	6P	(ON)	-	ON	
R-2112F	DPDT	6P	ON	OFF	ON	
R-2112FM1	DPDT	6P	(ON)	OFF	ON	
R-2112FM2	DPDT	6P	(ON)	OFF	(ON)	
IR-2315	DPST	4P	ON	-	OFF	
IR-2315N	DPDT	6P	ON	-	ON	

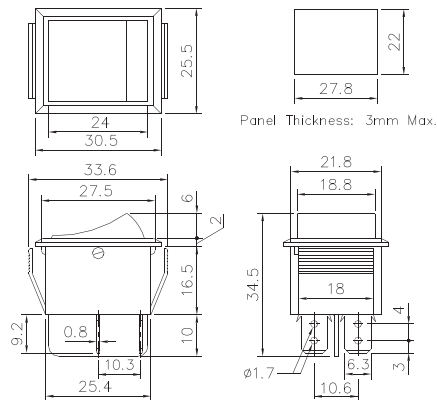
- actuator color for R-2112: black
- actuator color for IR-2315: red/ green/ yellow



Panel Thickness: 2.5mm Max.



Model No. 編號	Type 極性	Terminal Quantity 端子數	Switch Function 電路特性			Rating 電氣範圍
			ON	-	OFF	
R-2129	DPST	4P	ON	-	OFF	AC 125V 16A AC 250V 10A
R-2129N	DPDT	6P	ON	-	ON	

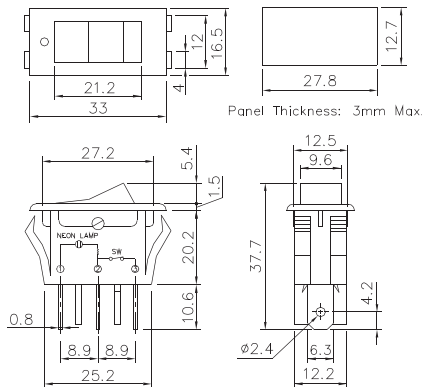


Model No. 編號	Type 極性	Terminal Quantity 端子數	Switch Function 電路特性			Rating 電氣範圍
			ON	-	OFF	
IR-2317	DPST	4P	ON	-	OFF	AC 125V 16A AC 250V 10A
IR-2317N	DPDT	6P	ON	-	ON	
IR-2317F	DPDT	6P	ON	OFF	ON	

☀ illuminated switch



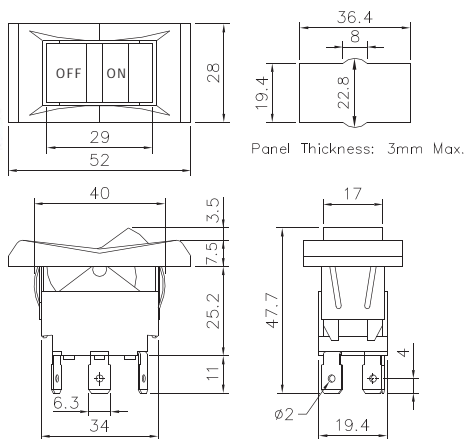
R-RB-5  
Rubber Boot for IR-2304  
專屬防水帽



Model No. 編號	Type 極性	Terminal Quantity 端子數	Switch Function 電路特性			Rating 電氣範圍
			ON	-	OFF	
IR-2304	SPST	3P	ON	-	OFF	AC 125V 10A AC 250V 5A DC 12V 10A DC 24V 5A

☀ illuminated switch

■ actuator color: red/ green/ blue/ amber



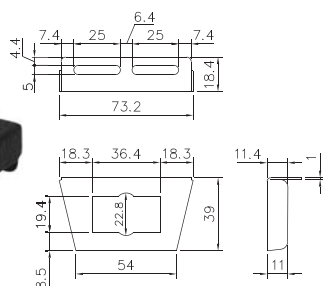
Model No. 編號	Type 極性	Terminal Quantity 端子數	Switch Function 電路特性			Rating 電氣範圍
			ON	-	OFF	
IR-2308	SPST	3P	ON	-	OFF	DC 12V 15A DC 12V 10A

☀ illuminated switch

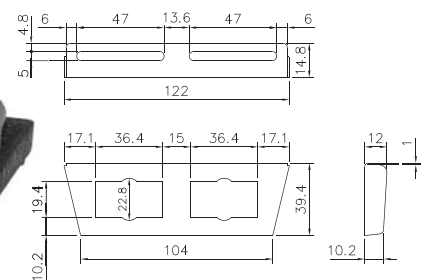
■ large actuator  
■ mounting panel available



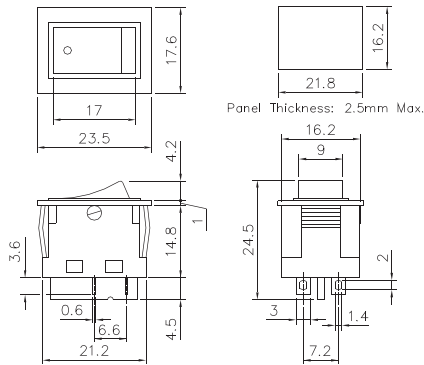
1 gang switch panel



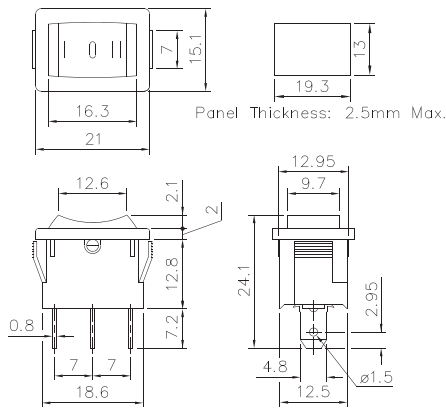
2 gang switch panel





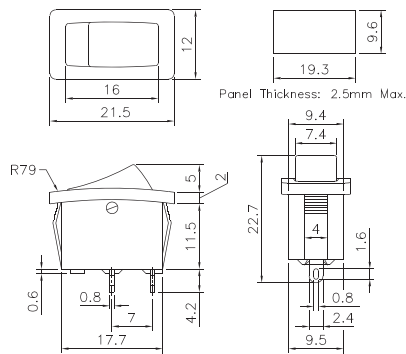


Model No. 編號	Type 極性	Terminal Quantity 端子數	Switch Function 電路特性			Rating 電氣範圍
			ON	-	OFF	
R-2115	DPST	4P	ON	-	OFF	AC 125V 10A
R-2115N	DPDT	6P	ON	-	ON	AC 250V 5A



Model No. 編號	Type 極性	Terminal Quantity 端子數	Switch Function 電路特性			Rating 電氣範圍
			ON	OFF	ON	
R-2109	SPDT	3P	ON	OFF	ON	AC 125V 10A AC 250V 6A

R-2141

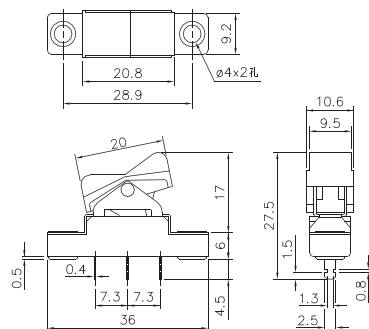


Model No. 編號	Type 極性	Terminal Quantity 端子數	Switch Function 電路特性			Rating 電氣範圍
			ON	-	OFF	
R-2141	SPST	2P	ON	-	OFF	AC 125V 6A
R-2141AFN	SPDT	4P	ON	OFF	ON	AC 250V 3A

R-2141AF



■ designed for curved panel



Model No. 編號	Type 極性	Terminal Quantity 端子數	Switch Function 電路特性			Rating 電氣範圍
			ON	-	ON	
R-2114	SPDT	3P	ON	-	ON	DC 125V 1A

■ Rocker switch for motorcycles



# Miniature Slide Switch

# 迷你滑動開關

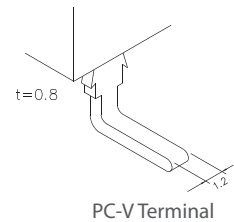
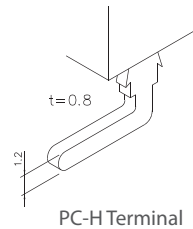
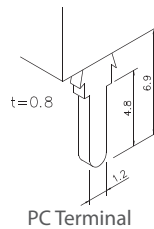
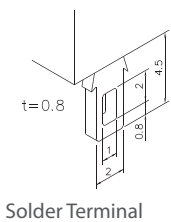


- Compact size – ideal for telecom, instruments and medical devices
- Multi-pole and multi-positions models available
- Various configurations of terminals for all applications

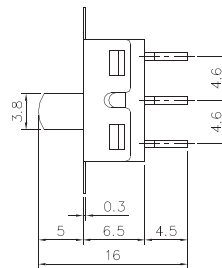
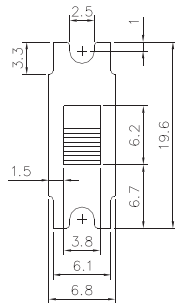
MS	3001	P
Switch Type	Serial No.	Terminal Type
Miniature Slide Switch	3001	Solder Terminal
	-	<b>P</b> PC Terminal
	3003	<b>H</b> PC-H Terminal
		<b>V</b> PC-V Terminal

Rating	AC 125V 5A / 250V 2A
Contact R.	20mΩ Max.
Insulation R. .	DC 500V 100MΩ Min.
Dielectric Strength	AC 1500V 1 Min.
Electrical Life	20,000 make and break cycles at full load

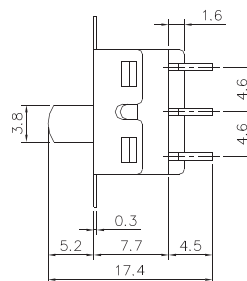
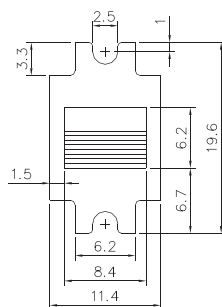
## Terminal Specification 端子規格



### Solder Terminal

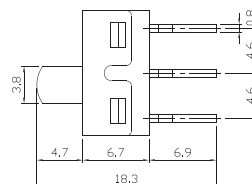
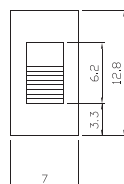


Model No. 編號	Type 極性	Terminal Quantity 端子數	Switch Function 電路特性
MS-3001	SPDT	3P	ON - ON

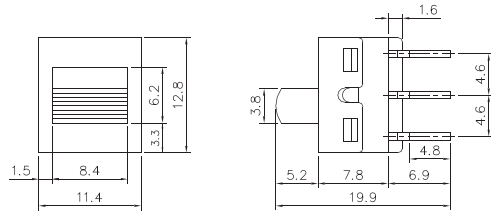


Model No. 編號	Type 極性	Terminal Quantity 端子數	Switch Function 電路特性
MS-3003	DPDT	6P	ON - ON

### PC Terminal

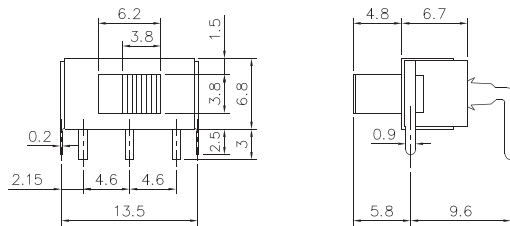


Model No. 編號	Type 極性	Terminal Quantity 端子數	Switch Function 電路特性
MS-3001P	SPDT	3P	ON - ON

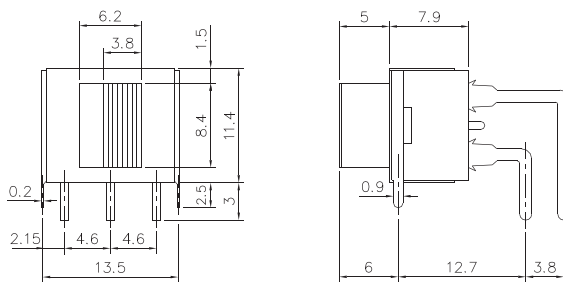


Model No. 編號	Type 極性	Terminal Quantity 端子數	Switch Function 電路特性		
			ON	-	ON
MS-3003P	DPDT	6P	ON	-	ON

PC-H Terminal

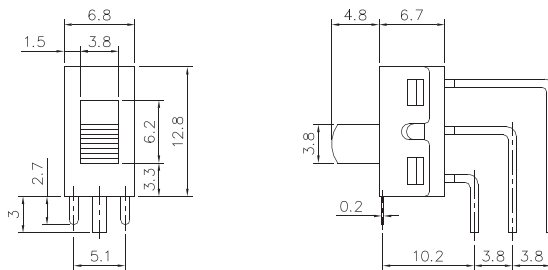


Model No. 編號	Type 極性	Terminal Quantity 端子數	Switch Function 電路特性		
			ON	-	ON
MS-3001H	SPDT	3P	ON	-	ON

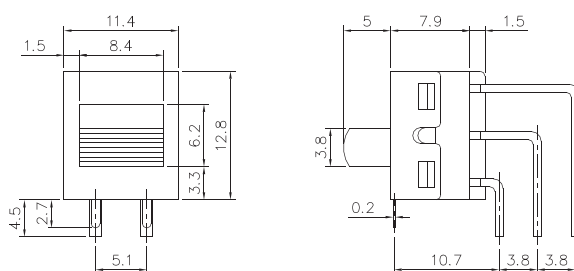


Model No. 編號	Type 極性	Terminal Quantity 端子數	Switch Function 電路特性		
			ON	-	ON
MS-3003H	DPDT	6P	ON	-	ON

PC-V Terminal



Model No. 編號	Type 極性	Terminal Quantity 端子數	Switch Function 電路特性		
			ON	-	ON
MS-3001V	SPDT	3P	ON	-	ON



Model No. 編號	Type 極性	Terminal Quantity 端子數	Switch Function 電路特性		
			ON	-	ON
MS-3003V	DPDT	6P	ON	-	ON



# Miniature Push-Button Switch

# 迷你型按鈕開關



PB	4053	G
Switch Type	Serial No.	Cap Color
Push-Button Switch	4053	<b>BL</b> Blue
	-	<b>B</b> Black
	4058	<b>G</b> Green
		<b>R</b> Red
		<b>W</b> White
		<b>Y</b> Yellow

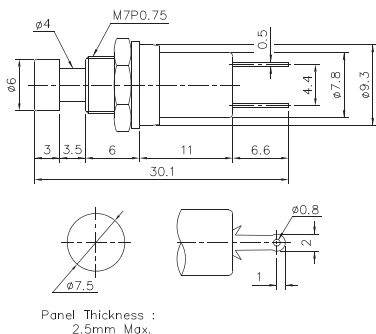
Rating	AC 125V 1A
Contact R.	20mΩ Max.
Insulation R.	DC 500V 100MΩ Min.
Dielectric Strength	AC 1500V 1 Min.
Electrical Life	30,000 make and break cycles at full load

## PB-4053

Miniature Push-Button Switch  
Normally Open (NO) 正接觸



Cap Color: BL.B.G.R.W.Y

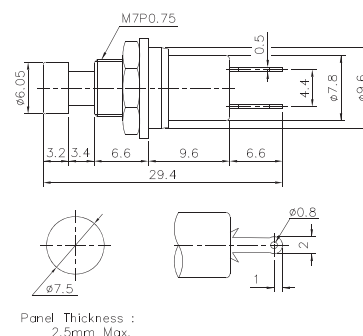


## PB-4054

Miniature Push-Button Switch (Brass Body)  
Normally Open (NO) 正接觸



Cap Color: BL.B.G.R.W.Y

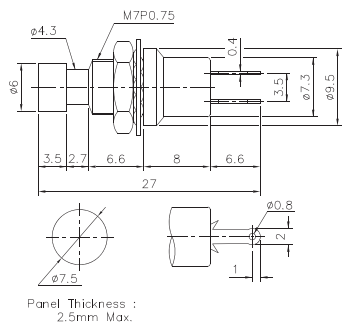


## PB-4056

Miniature Push-Button Switch  
Normally Open (NO) 正接觸



Cap Color: BL.B.G.R.W.Y

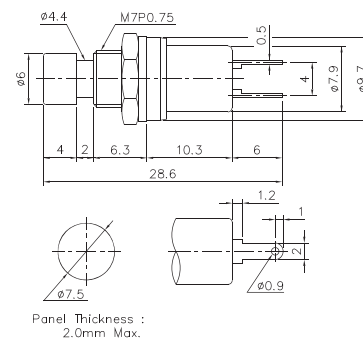


## PB-4057

Miniature Push-Button Switch  
Normally Closed (NC) 反接觸



Cap Color: BL.B.G.R.W.Y

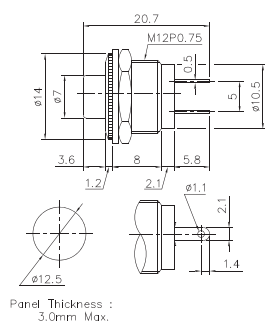


## PB-4058

Miniature Push-Button Switch  
Normally Open (NO) 正接觸



Cap Color: BL.B.G.R.W.Y

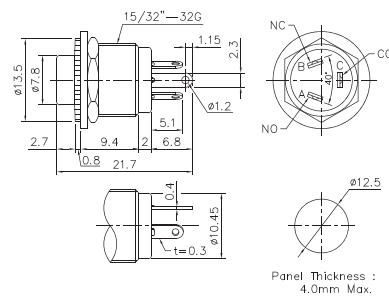


## PB-4058-1

Miniature Push-Button Switch  
Normally Open & Normally Closed (NO/COM/NC)

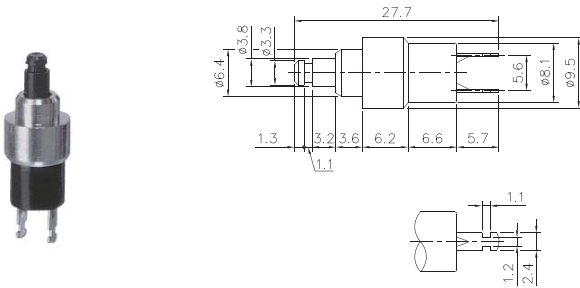


Cap Color: BL.B.G.R.W.Y



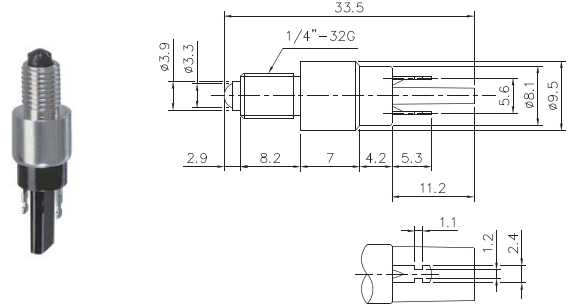
**PB-4059**

Miniature Push-Button Switch for Motorcycles  
Normally Open (NO) 正接觸



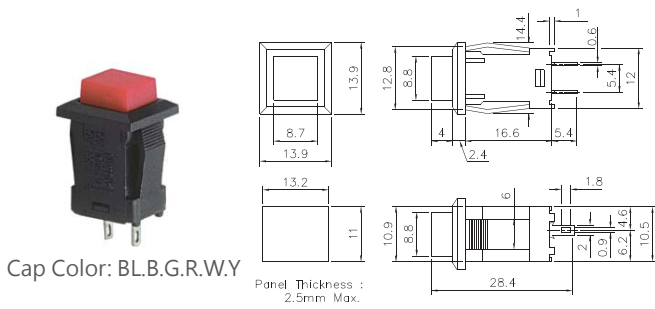
**PB-4060**

Miniature Push-Button Switch for Motorcycles  
Normally Closed (NC) 反接觸



**PB-4064A**

Miniature Square Push-Button Switch  
Alternate Action 有段

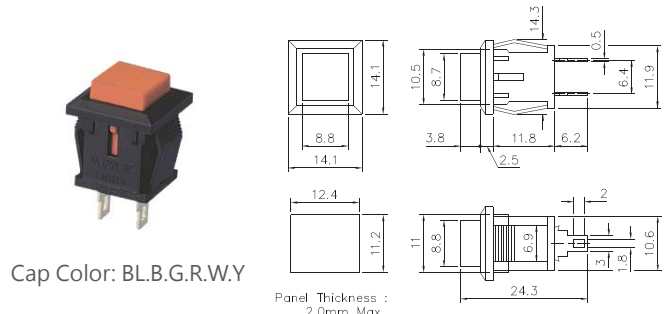


Cap Color: BL.B.G.R.W.Y

Panel Thickness :  
2.5mm Max.

**PB-4064B** Normally Open (NO) 正接觸

**PB-4064C** Normally Closed (NC) 反接觸  
Miniature Square Push-Button Switch



Cap Color: BL.B.G.R.W.Y

Panel Thickness :  
2.0mm Max.

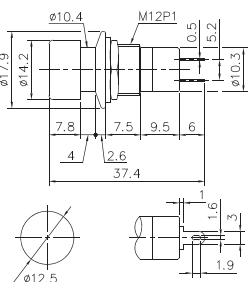
# Push-Button Switch

# 按鈕開關

PB	4051	A	G
Switch Type	Serial No.	Function	Cap Color
Push-Button Switch	4051	<b>A</b> Alternate Action 有段	<b>BL</b> Blue
	-	<b>B</b> Normally Open (NO) 正接觸	<b>B</b> Black
	4052	<b>C</b> Normally Closed (NC) 反接觸	<b>G</b> Green
			<b>R</b> Red
			<b>W</b> White
			<b>Y</b> Yellow

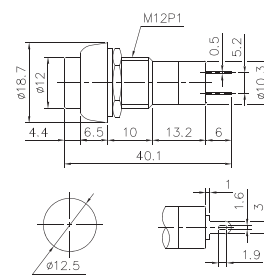
Rating	AC 125V 3A
Contact R.	50mΩ Max.
Insulation R.	DC 500V 100MΩ Min.
Dielectric Strength	AC 1500V 1 Min.
Electrical Life	20,000 make and break cycles at full load

## PB-4051 Round Push-Button Switch



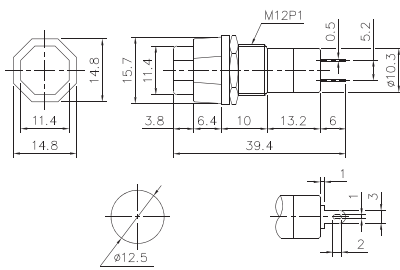
Panel Thickness : 2.5mm Max.

## PB-4051S Round Push-Button Switch



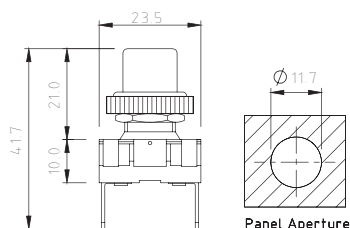
Panel Thickness : 5.0mm Max.

## PB-4052 Octagon Push-Button Switch



Panel Thickness : 5.0mm Max.

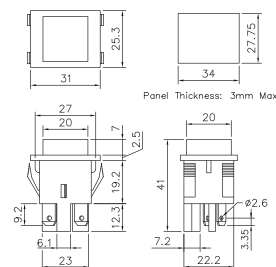
## PB-4071 Starter Push-Button Switch 大電流啟動按鈕開關 Normally Open (NO) 正接觸



- Quick terminal blades
- High current push button switch
- Water-resistant cap available
- Rating: AC 125V 15A / 240V 10A

PB-RB-1  
Rubber Boot for PB-4071  
專屬防水帽

## IR-2311 / IR-2312 Illuminated Push-Button Switch 帶燈按鈕開關



Model No. 編號	Type 極性	Terminal Quantity 端子數	Rating 電氣範圍
☀ IR-2311	SPST	3P	AC 125V 10A AC 250V 5A
☀ IR-2312	DPST	4P	DC 12V 16A DC 24V 10A

☀ illuminated switch



- Available in different shapes and sizes, suitable for home or office security applications
- Ideal for doors, windows, garages or gates
- See each model for further details

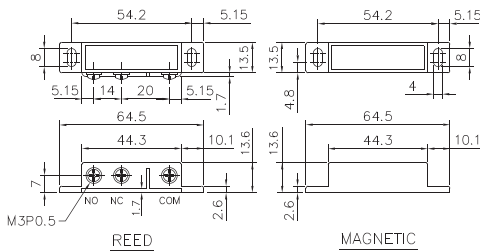
## RA-5091

Standard Magnetic Reed Switch  
標準磁簧開關



Color available in:  
white/ brown

**RA-5091**  
Normally Open and Normally Closed (NO/COM/NC)  
**RA-5091A**  
Normally Closed (NC)  
**RA-5091B**  
Normally Open (NO)  
Operating Gap 40mm Max.  
最大有效距離40mm  
※ "Normally" means when magnet is in proximity



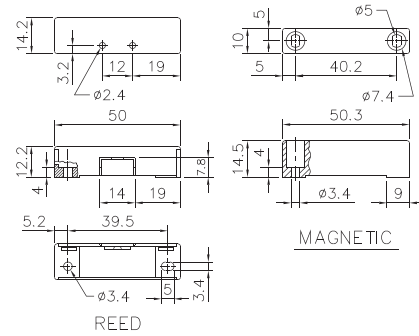
## RA-5092

Dust-proof Magnetic Switch for Doors  
門用防塵磁簧開關



Color available in:  
white/ brown

Normally Closed (NC)  
Operating Gap 40mm Max.  
最大有效距離40mm  
※ "Normally" means when magnet is in proximity



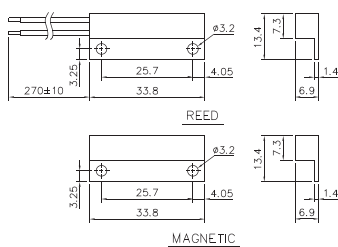
## RA-5093

Mini Magnetic Switch for Windows  
迷你窗用磁簧開關



Color available in:  
white/ dark grey

Normally Closed (NC)  
Operating Gap 23mm Max.  
最大有效距離23mm  
※ "Normally" means when magnet is in proximity



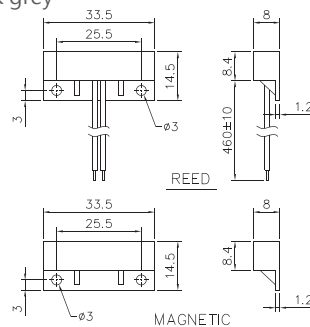
## RA-5096

Mini Magnetic Switch for Windows  
迷你窗用磁簧開關



Color available in:  
white/ dark grey

Normally Closed (NC)  
Operating Gap 23mm Max.  
最大有效距離23mm  
※ "Normally" means when magnet is in proximity







- Special switches for home or office security
- OEM/ ODM products and welcomed

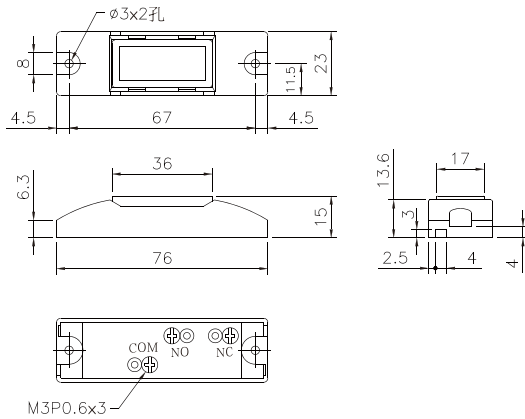
## A-5201

### Push-Button Alarm Switch

接鈕警報開關



Color available in: white/ ivory/ black/ iridescent



## A-5201

2P Normally Open (NO)

## A-5201A

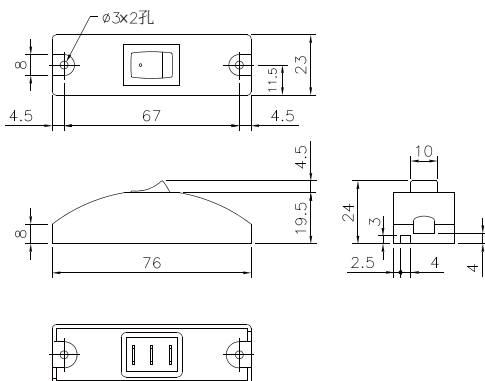
3P Normally Open (NO) and Normally Closed (NO/COM/NC)

Rating	AC 125V 3A / 250V 1A
Contact R.	200m $\Omega$ Max.
Insulation R. .	100M $\Omega$ at DC 500V Min.
Dielectric Strength	AC 1000V 1 Min
Electrical Life	More than 20,000 times

## A-5202

### Rocker Alarm Switch

切换警報開關



## A-5202

2P SPST ON-OFF

## A-5202A

3P SPDT ON-ON CHANGE-OVER

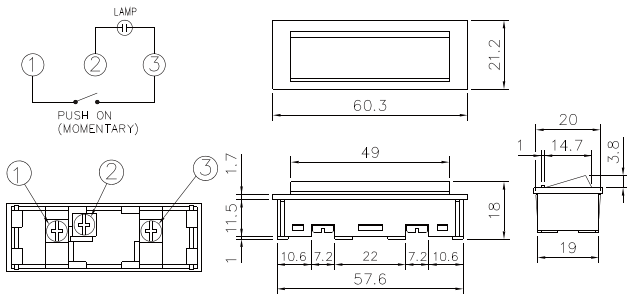
Rating	AC 125V 5A / 250V 2A
Contact R.	50m $\Omega$ Max.
Insulation R. .	100M $\Omega$ at DC 500V Min.
Dielectric Strength	AC 1000V 1 Min
Electrical Life	More than 20,000 times

### A-5203

Illuminated Bell Push Switch  
帶燈門鈴開關



Normally Open (NO)  
Lamp: DC12V

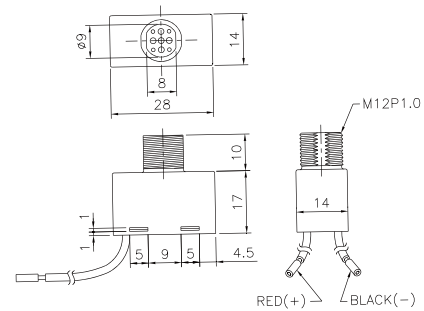


### A-5206

Warning Buzzer  
蜂鳴器



for use with reed-alarm switches  
Rating: DC 24V  
pre-wired with 200mm wire



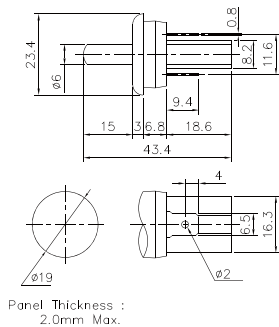
### A-5207

Push-Button Alarm Switch  
汽車警報專用開關



Color available in:  
white/ black

A-5207A  
Normally Open (NO) 正接觸  
A-5207B  
Normally Closed (NC) 反接觸



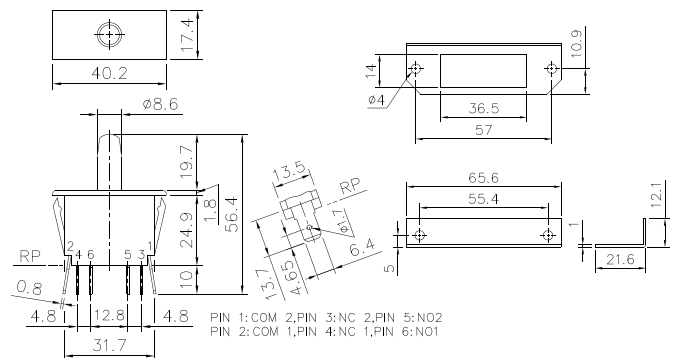
### A-5208

Push-Button Alarm Switch  
汽車警報專用開關



Normally Open & Normally  
Closed (NO/COM/NC)

Model No. 編號	Type 極性	Terminal Quantity 端子數	Connected Terminals 連接端子		Rating 電氣範圍
			Pos.1	Pos.2	
A-5208	SPDT	3P	1-3	1-5	DC 125V 3A
A-5209	DPDT	6P	1-3 2-4	1-5 2-6	





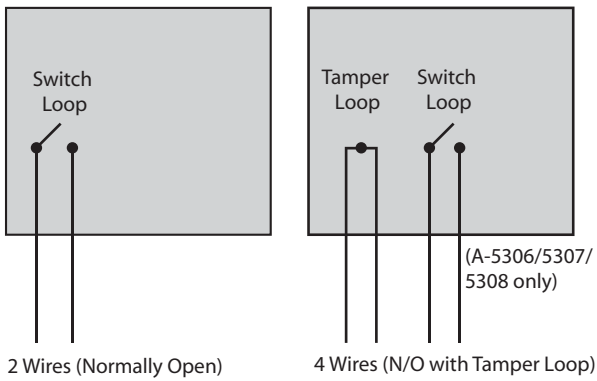


- Reliably detecting a person walking or standing on the mat
- Available in several size and shapes suiting all applications
- Optional tamper loop (dual loop) provides anti-theft capability
- High sensitivity version available for sitting or hand pressure detection
- Customized output plug options (3.5mm / 6.3mm mono plug)

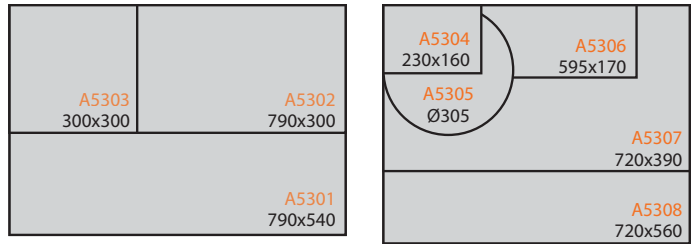
A-53	01	D	H
Switch Type	Serial No.	Loop type	Sensitivity
Pressure Mat Sensor Switches	01 - 10	2 Wires D 4 Wires (Dual Loop)	Normal H High Sensitive

Contact	Normally Open
Max Voltage	DC 25V
Max Switching	DC 0.25A
Max Carry Current	DC 0.25A
Contact Resistance	1Ω Typ. dependent on pressure applied
Operating Temperature	-10 to 70°C
Note	RoHS Compliant

### Schematic Diagram



### Size Comparison Chart



### A-5301 (Former A-5205)

Standard Pressure Mat Sensor Switch



- Normally Open
- 790mmx540mm
- Round cable 22AWG -70cm

### A-5302

Half Size Pressure Mat Sensor Switch



- Normally Open
- 790mmx300mm
- Round cable 22AWG -70cm

### A-5303

Square Pressure Mat Sensor Switch



- Normally Open
- 300mmx300mm
- Round cable 22AWG -70cm

### A-5304

Small Pressre Pad



- Normally Open
- 230mmx160mm
- 2 Wire output (20AWG – 30cm)

### A-5305

Circular (Disc) Mat Sensor Switch



- Normally Open
- Ø305mm
- 2 Wire output (20AWG – 30cm)

### A-5306

Stair Tread Mat Sensor Switch



- Normally Open
- 595mmx170mm
- 2 Wire or 4 Wire output (with Dual Loop /Anti-thief protection) (20AWG – 30cm)

### A-5307

Standard Floor Mat Sensor Switch



- Normally Open
- 720mmx390mm
- (Optional) 4 Wire output version(Dual Loop /Anti-thief protection) (20AWG – 30cm)

### A-5308

Large Floor Mat Sensor Switch



- Normally Open
- 720mmx560mm
- (Optional) 4 Wire output version(Dual Loop /Anti-thief protection) (20AWG – 30cm)



FS-50



FS-60

**Foot Pedal Switch 腳踏開關**

The Lyric Shin Foot Pedal switches are specially designed to withstand foot stepping pressure, suitable for any application requiring foot operating control.

- Robust heavy steel housing
- Anti-skid rubber base - keeping pedal in place
- Normally open, momentary (can be rewired to NC)
- Pre-wired with 1/4' phone plug and spring strain relief



PED-801

PED-802

PED-803

**Metal Stomp Foot Switch Box 腳踏開關**

Heavy-duty all metal case design with stomp foot switches (PB-4067) ideal for guitar effect units or amplifier controls.

- Sturdy all-metal design with quality coating
- Anti-skid rubber feet
- Available in 1, 2, 3 gang
- Customizable wiring and silkscreen printing



INP-2

INP-4

VID-3

SPK-4

**Video/ Audio Switch Box 音響開關**

The Lyric Shin Switch Box series allows selections between multiple A/V sources.

- Solid metal case design
- Anti-skid rubber feet
- Heavy duty rocker switches (for SPK series)
- Polished metal knob (for INP series)
- From 2P to 8P - suits all applications
- Ideal for home or commercial A/V applications

See our Multimedia Website for more details:



SP1214P

SP1216P

SP1218P

**DC Marine Switch Panel 開關面板**

The Yih Sean Marine Switch Panels are specially designed for boats or yachts controls. Taking the advantages of Lyric Shin's expertise in switches design and manufacturing, Yih Sean provides a variety of cost-effective switch panel series for boat owners.

- Fuse or circuit breaker protection
- Water-proof: up to IP67 protection

See our Marine Website for more details:



SP3033P

SP3016P

SP3114P

SP3116P